
项目名称

V2213-R10 pro

版本号

A00

设计时间

2022/10/12

物料名称

说明书（欧版）

设计师

章静

审核

批准

料号

04170500001102

材质工艺要求：封面 157g 哑粉纸，内页 68g 哑粉纸 彩印
成品尺寸为 210*140mm，胶装

材质要求：

颜色及专色：

尺寸要求：

变更履历：

- The word "dreame" is the abbreviation of Dreame Technology Co., Ltd. and its subsidiaries in China. It is the transliteration of the company's Chinese name " 追觅 ", which means striving for excellence in every endeavor and reflects the company's vision of continuous pursuit, exploration and search in technology.
- Das Wort "dreame" ist die Abkürzung von Dreame Technology Co., Ltd und seinen Tochterunternehmen in China. Es ist die Transliteration des chinesischen Namens " 追觅 " dieser Firma, was für das Streben nach Vollendung steht und die Vision des Unternehmens widerspiegelt, nämlich im Bereich der Technologie unaufhaltsam weiterzustreben, zu erforschen und entdecken.
- Dreame est l'abréviation de l'entreprise chinoise Dreame Technology Co. et ses filiales, qui est la traduction phonétique du nom chinois de l'entreprise, reflétant la vision de l'entreprise qui consiste à poursuivre, explorer et rechercher constamment les avancées technologiques.
- La parola "dreame" è l'abbreviazione dell'azienda Dreame Technology Co., Ltd. e delle sue filiali in Cina. È la traslitterazione del nome cinese dell'azienda " 追觅 ", che dimostra la continua ricerca, esplorazione e visione di ricerca dell'azienda nella tecnologia.
- La palabra "dreame" es la abreviatura de Dreame Technology Co., Ltd. y sus subsidiarias en China. Es la transliteración del nombre chino de "Dreame", que significa luchar por la excelencia en cada esfuerzo y refleja la visión de la compañía de continuamente buscar, explorar e investigar en tecnología.
- Dreame — сокращённое название китайской компании Dreame Technology Co., Ltd. и ее дочерних предприятий. Dreame является транслитерацией названия компании на китайском языке « 追觅 », в котором отражено корпоративное видение компании в сфере науки и технологий — непрерывный поиск, исследования и стремление к успеху.
- Słowo "dreame" to skrót od Dreame Technology Co., Ltd. i spółek w Chinach. Jest to transliteracja chińskiej nazwy firmy " 追觅 " co oznacza dążenie do doskonałości w każdym przedsięwzięciu, odzwierciedlając wizję firmy, jaką jest ciągłe prowadzenie, odkrywanie i poszukiwania w nauce i technologii.
- Het woord "dreame" is de afkorting van Dreame Technology Co., Ltd. en haar dochterondernemingen in China. Het is de transliteratie van de Chinese naam van het bedrijf " 追觅 ", wat betekent streven naar uitmuntendheid in elke inspanning en de visie van het bedrijf van continu nastreven, verkennen en zoeken in technologie weerspiegelt.
- دريم هي مؤسسة صينية ويطلق على شركة دريم للتكنولوجيا المحدودة والشركات التابعة لها، وتعكس الترجمة الصوتية للمسمى الصيني " 追觅 " رؤية الشركة للسعي المستمر والاكتشاف والبحث في التكنولوجيا.
- Dreame הינו שמו המקוצר של החברה הישראלית Dreame Technology Co., Ltd. וממחיש בתוכו את חזון החברה לחפש ולדרוך באופן בלתי פוסק בתחום הטכנולוגיה.



For more information & after-sales support, contact us via
 aftersales@dreame.tech or <https://global.dreame.tech>
 Manufactured by: Dreame Trading (Tianjin) Co., Ltd.
 Made in China

VTV41B-EU-A00

16/02/2023



Dreame R10 Pro

**Cordless Stick Vacuum
User Manual**

THANK YOU

FOR PURCHASING THIS DREAME VACUUM CLEANER.

Registration Quick Start

Welcome to register a Dreame account by scanning the QR code.

You are available for the User Manual and Special Offers.



With it you are obtaining a high quality product that is engineered for optimal performance. If you have any questions on the product, please contact us: aftersales@dreame.tech.

EN	User Manual	1
DE	Benutzerhandbuch	23
FR	Manuel d'utilisation	47
IT	Manuale Utente	70
ES	Manual de usuario	93
RU	Руководство пользователя	116
PL	Instrukcja Obsługi	140
NL	Gebruiksaanwijzing	162
SA	دليل المستخدم	184
HE	מדריך למשתמש	206

Safety Instructions

To prevent accidents including electric shock or fire caused by improper use, please read this manual carefully before use and retain it for future reference.

Warning

- This product can be used by children aged from 8 years and above and persons with physical, sensory, intellectual deficiencies, or limited experience or knowledge under the supervision of a parent or guardian to ensure safe operation and to avoid any risk of hazards. Cleaning and maintenance shall not be made by children without supervision.
- The vacuum is not a toy. Children shall not play with or operate this product. Please exercise caution when using the vacuum near children. Do not allow children to clean or maintain the vacuum unless supervised by a parent or guardian.
- Do not use the vacuum outdoors or on wet surfaces. Only use the vacuum on dry indoor surfaces. Do not touch the plug or any part of the vacuum with wet hands.
- To reduce the risk of fire, explosion, or injury, check to make sure the lithium battery and charging adapter are undamaged before use. Do not use the vacuum if either the lithium battery or charger is damaged.
- The multi-surface brush, soft roller brush, motorized mini-brush, battery, metal connector pin, and vacuum are electrically conductive and should not be immersed in water or other liquid. Make sure to dry all filters after cleaning.
- Prevent injury caused by moving parts. Turn off the vacuum before cleaning the multi-surface brush and soft roller brush. The multi-surface brush, soft roller brush, dust compartment and filter must all be properly installed before using the vacuum.
- Only use the original charging adapter. Never use an unoriginal adapter, as this may cause the lithium battery to catch fire.
- Do not use the vacuum to pick up flammable or combustible liquids, such as gasoline, or bleach, ammonia, drain cleaners or other liquids.
- Do not use the vacuum to pick up sharp or hard objects, such as glass, nails, screws, or coins, which may damage the machine. Do not use the vacuum to pick up drywall particles, ashes like fireplace ash, or smoking or burning materials such as coal, cigarette butts or matches.
- Check the area to be cleaned before use. To prevent the openings from being blocked, clear the larger paper, spitball, plastic cloth or sharp objects (such as glass, nails, screws, coins, etc.) and any object which is larger than openings.
- Keep hair, loose clothing, fingers and other parts of the body away from the vacuum's openings and moving parts. Do not point the extension rod, wand or tools at your eyes or ears or put them in your mouth.
- Do not put any object into the vacuum's openings. Do not use the vacuum with any opening blocked. Keep free of dust, lint, hair, or other items which may reduce airflow.
- Do not rest the vacuum against a chair, table, or other unstable surface, as this may cause damage to the machine or personal injury. If the vacuum becomes damaged

from being knocked over or is otherwise malfunctioning, please contact our authorized service department. Never attempt to disassemble the device on your own.

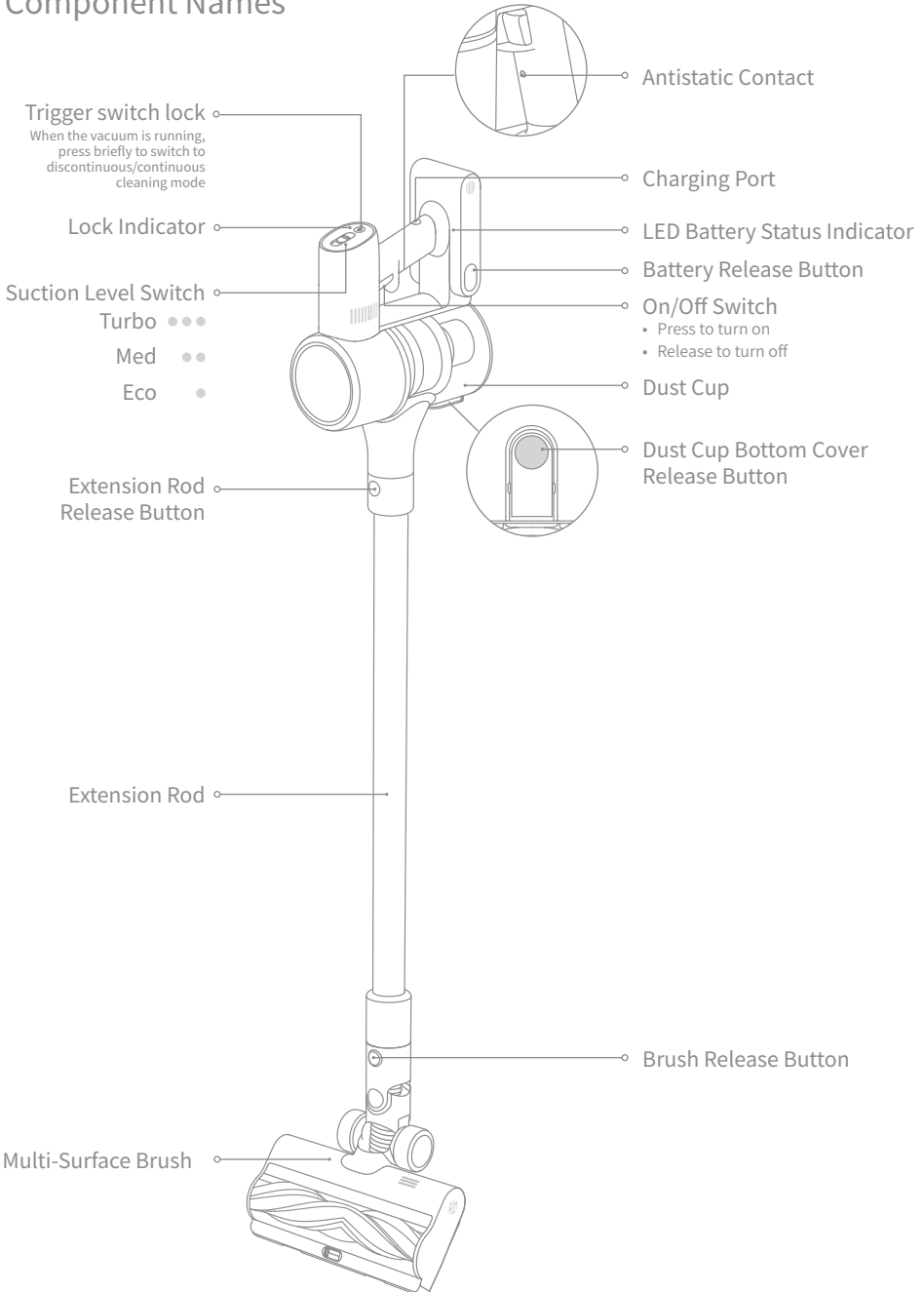
- All instructions in the manual for recharging the battery must be strictly followed. Failure to properly charge the battery within the specified temperature range could damage the battery.
- Only use accessories and replacement parts recommended by the manufacturer.
- Please be extra careful when using the vacuum to clean stairs.
- Make sure the vacuum is unplugged when not used for extended periods as well as prior to performing any maintenance or repairs.
- Do not install, charge, or use this product outdoors, in bathrooms, or around a pool.
- Fire Hazard Warning: Do not apply any type of fragrance to the vacuum's filter. These types of products are known to contain flammable chemicals which may cause the vacuum to catch fire.
- Only use the original charger (Model YLS0251B-E300080). Failing to do so may cause the lithium-ion battery to catch fire.
- Only use the approved battery type (Model V2213-7S1P-BCA). Failing to do so may cause the lithium-ion battery to catch fire.
- If the battery material is released, remove personnel from area until the batteries cool down and fumes dissipate.
- Provide maximum ventilation to clear out hazardous gases and avoid skin and eye contact or inhalation of vapors.
- Remove spilled liquid with absorbent and incinerate waste.
- Do not use and store in extremely hot or cold environments (below 0°C /32°F or above 40°C /104°F). Please charge the cordless vacuum in temperature above 0°C /32°F and below 40°C /104°F.
- This product is designed for home use only.

We, Dreame Trading (Tianjin) Co., Ltd., hereby, declares that this equipment is in compliance with the applicable Directives and European Norms, and amendments. The full text of the EU declaration of conformity is available at the following internet address: <https://global.dreameotech.com>

For detailed e-manual, please go to <https://global.dreameotech.com/pages/user-manuals-and-faqs>

Product Overview

Component Names

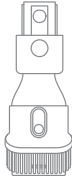


Product Overview

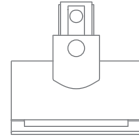
Accessories



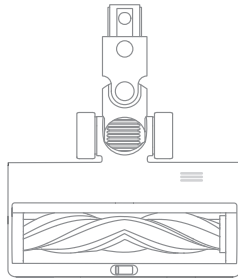
Extension Rod



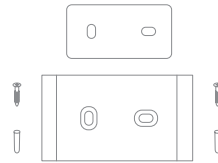
Wide Combination Tool



Motorized Mini-Brush



Multi-Surface Brush



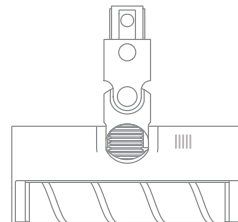
Wall Mount
(Including screw $\times 2$, wall
plug $\times 2$, and mounting
template sticker)



Flexible Combination Tool



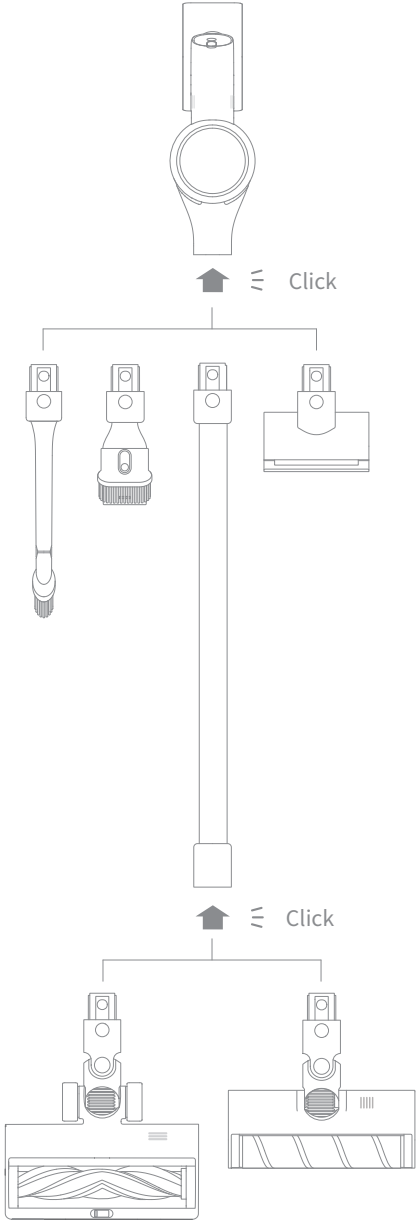
Charger



Soft Roller Brush

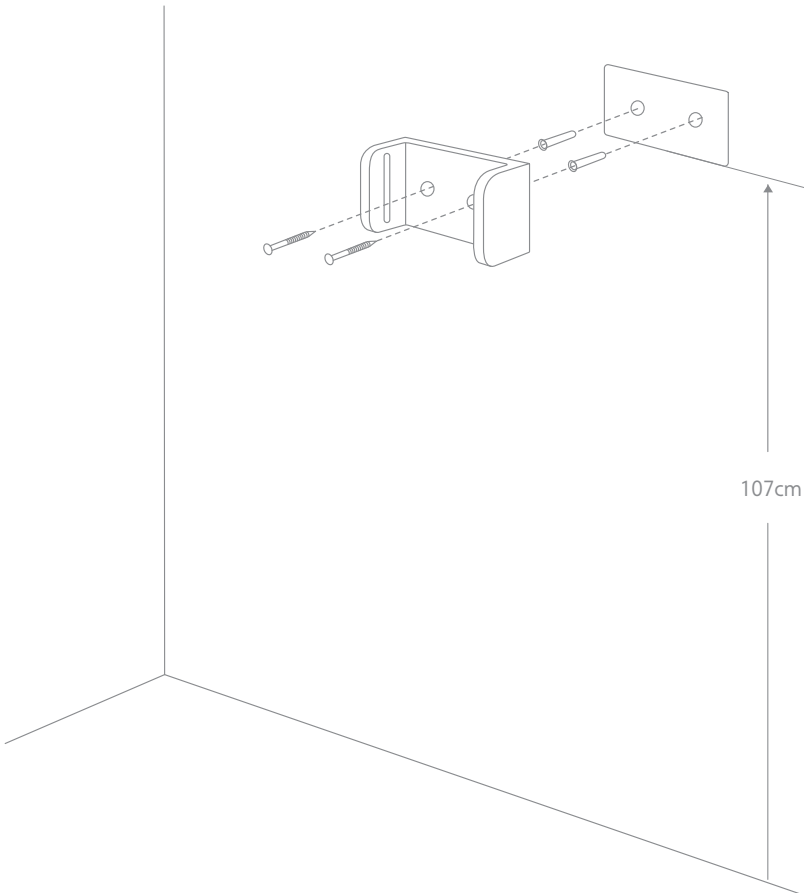
Note: The images in this manual are for illustrative purposes only. The actual product may differ.

Installation



Wall Mount Installation Diagram

1. Paste the mounting template sticker on the wall. The bottom edge of the mounting template sticker should be parallel to and about 107cm from the ground.
2. Use a power drill with an 8 mm drill bit to drill a hole into each marker on the mounting template sticker, then insert a wall plug into each hole.
3. Align the holes on the mount with the holes on the wall. Fasten it to the wall with the included screws.



Note:

- The wall mount is an optional accessory. You can install it based on your needs.
- The wall mount should be installed on a cool, dry surface with an electrical outlet nearby. Prior to installing, ensure that there are no electrical wires or pipes in the space directly behind installation position.

Charging

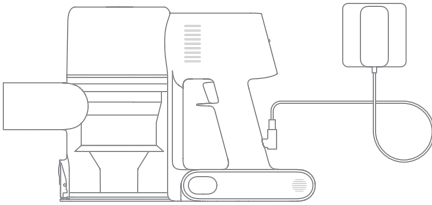
Fully charge the vacuum before using it for the first time.

Note:

- A full charge will take approximately 4 hours.
- Using Turbo mode for a prolonged period will cause the battery to heat up, which increases charging time. Allow the vacuum to cool down for 30 minutes before charging it.

Charging Methods

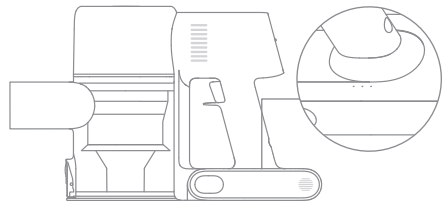
Charging the vacuum with the charger



LED Battery Status Indicator

- ● ☀ Low battery
- ☀ ○ Half battery
- ☀ ○ ○ Nearly full
- ○ ○ Fully charged

- Off
- ☀ Blinking
- On



Note: Once the vacuum is fully charged, the indicator will turn off after 5 minutes, and the vacuum will enter the energy-saving mode.

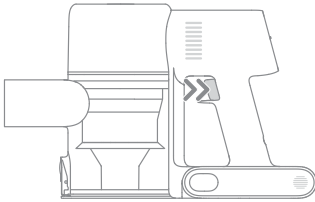
EN How to Use

Working Methods

Select from two working methods for the vacuum, based on your needs.

Method 1: Discontinuous Cleaning Mode

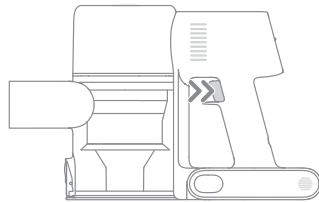
Press and hold the on/off switch to power it on, and release it to stop immediately.



Method 2: Continuous Cleaning Mode (Trigger switch lock)

Click the trigger switch lock to switch to Continuous Cleaning Mode when the vacuum is running. Then release the on/off switch to make the vacuum in Continuous Cleaning Mode.

Use the trigger switch lock to free your fingers and avoid finger fatigue caused by holding the switch.

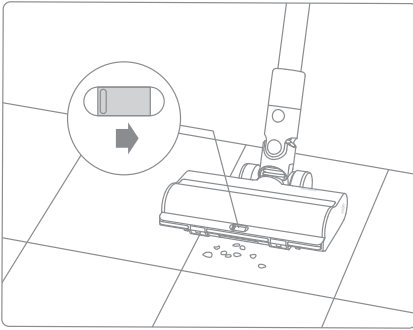


Note:

- In this mode, the lock indicator will illuminate steadily.
- Click the trigger switch lock again to quit the Continuous Cleaning Mode.

How to Use

Using Different Accessories



Multi-Surface Brush

Suitable for vacuuming on the med/low pile carpets, tiles and floors.

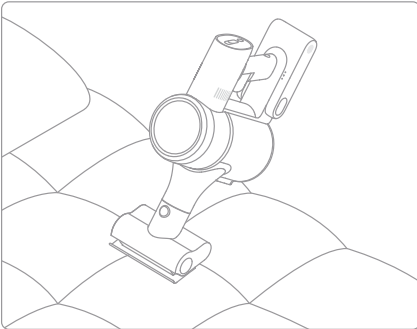
For vacuuming large particles by turning on the switch on the brush, such as coffee beans, corn flakes and etc.

Note:

- The multi-surface brush can be attached directly to the vacuum.
- When the appliance starts, the lights in front of the brush roller will automatically turn on, which is convenient for use.

Motorized Mini-Brush

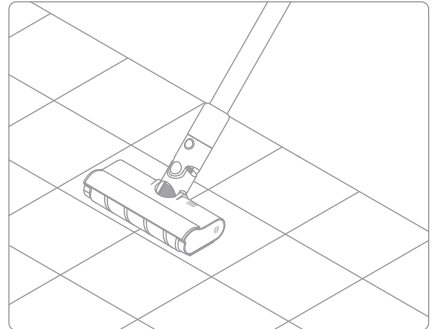
For vacuuming dirt, pet hair, and other stubborn debris from sofas, bedding, and other fabric surfaces.



Note: It is not recommended to vacuum on fragile surfaces, such as silk.

Soft Roller Brush

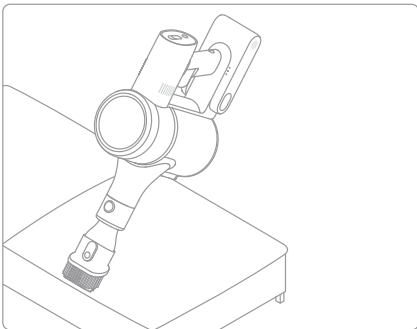
Suitable for cleaning hard floors such as marbles and tiles.



Note: The soft roller brush can be attached directly to the vacuum.

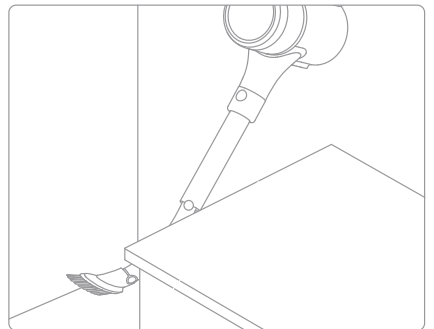
Wide Combination Tool

For vacuuming curtains, keyboards, ceilings, sofas, vehicle interiors, coffee tables, etc.



Flexible Combination Tool

Bendable and retractable brush-nozzle, more flexible to vacuum in narrow gaps.



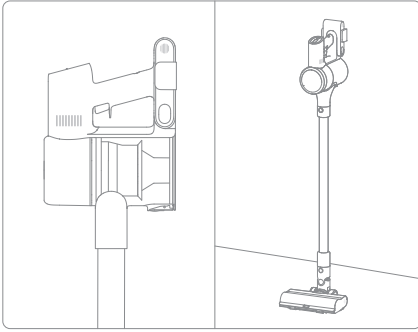
How to Use

Wall Mount

The vacuum cleaner can be placed on the wall mount when it is not in use.

Note:

- Do not put the vacuum cleaner alone on the wall mount.
- Place it on the wall mount after connecting it with the extension rod and the multi-surface brush.



Note:

- If any rotating part becomes stuck, the vacuum may shut off automatically. Remove any trapped foreign objects, then resume use.
- When the motor becomes overheated, the vacuum will automatically shut off. Wait until the battery temperature returns to normal, then resume use.

Care & Maintenance

Tips:

1. Always use genuine parts to keep your warranty from being void.
2. If the filter or nozzle becomes clogged, the vacuum will stop working shortly after being turned on. Clear the tube to restore functionality.
3. If the vacuum is not used for an extended period, fully charge it, unplug its charger, and store it in a cool, low-humidity environment away from direct sunlight. To avoid over-discharging the battery, recharge the vacuum at least once every three months.

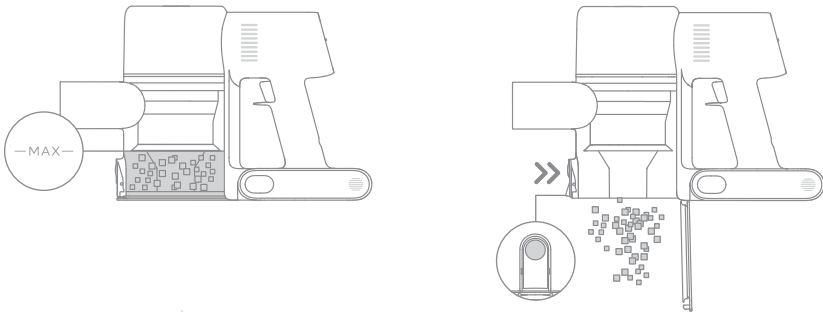
Cleaning the Vacuum

Wipe the vacuum with a soft dry cloth.

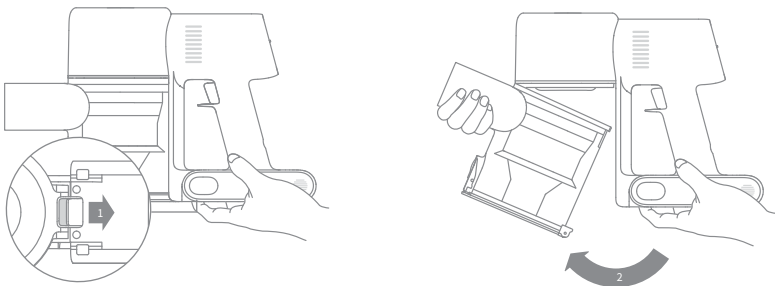
Cleaning the Dust Cup, Pre-Filter, and Cyclone Assembly

The vacuum's cleaning ability will be reduced if the dust cup is filled to the "MAX" mark. To regain performance, empty the dust cup in a timely manner. Before emptying the dust cup, make sure the vacuum is disconnected from the power, and do not press its power button.

1. Press the dust cup bottom cover release button, then empty the contents.

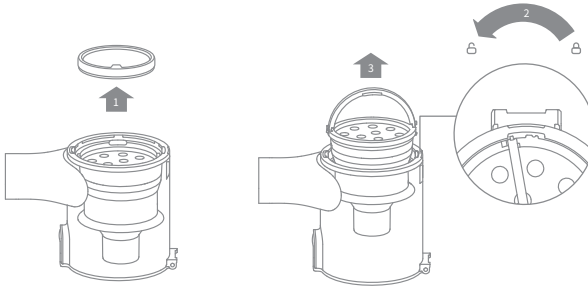


2. Push the dust cup release switch in the direction indicated by the arrow, then gently remove the dust cup from the vacuum.

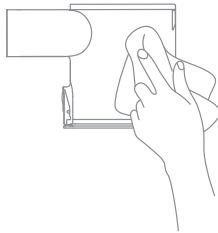


Care & Maintenance

3. Remove the pre-filter first, then lift the handle of the cyclone assembly and turn it counterclockwise until it stops, then pull to lift out the cyclone assembly.

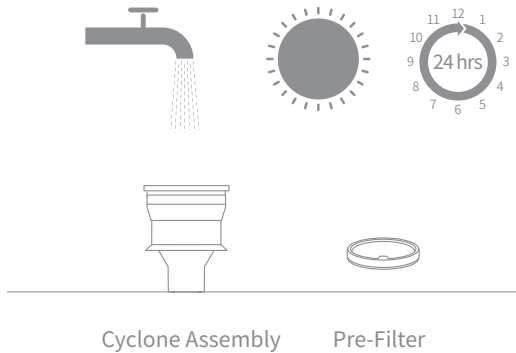


4. Wipe the dust cup with a soft wet cloth. Pay attention to wringing out the cloth before using.



To avoid the risk of electric shock, do not rinse the dust cup with water.

5. Rinse the cyclone assembly and pre-filter until they are clean. After washing, air dry for at least 24 hours .



Cyclone Assembly

Pre-Filter

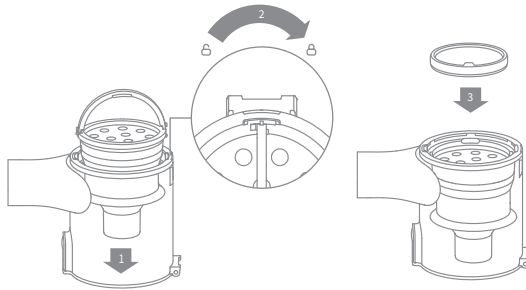
Note:

- It is recommended to clean the dust cup once every month.
- It is recommended to clean the pre-filter at least once every 3 months and the cyclone system at least once every 6 months.

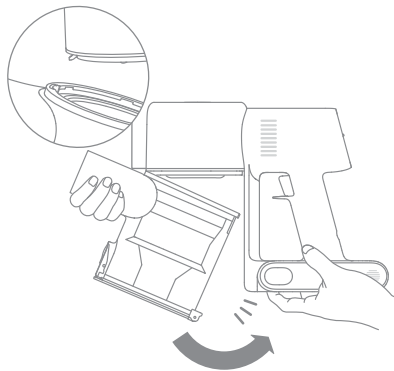
Care & Maintenance

Installing the Dust Cup, Pre-Filter, and Cyclone Assembly

1. Insert the cyclone assembly vertically into the dust cup, and make sure that the handle of the cyclone assembly line up with the slot on the left side of the dust cup. Turn the handle clockwise until it locks, then flip the handle down.
2. Place the pre-filter with its front side facing up into the cyclone assembly.



3. Slightly tilt the dust cup so the slot aligns with the clip on the vacuum. Then gently push the dust cup until it clicks into place.

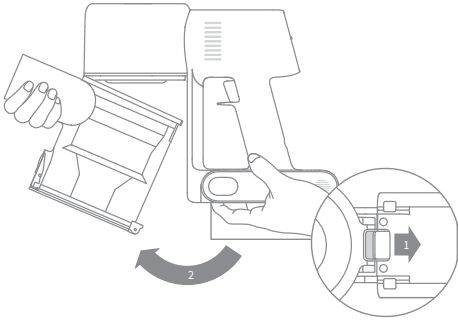


Care & Maintenance

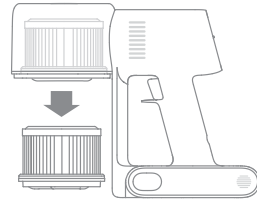
Cleaning the Filter

It is recommended to clean the filter once every 4 to 6 months.

1. Remove the dust cup as shown in the figure.



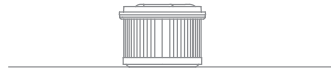
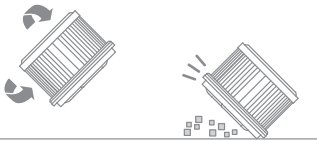
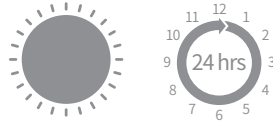
2. Remove the filter from the vacuum by pulling it down in the direction shown in the figure.



3. Clean the filter with clean water. Make sure you rotate the filter 360° to thoroughly and remove all dust caught in the filter. Lightly tap the filter several times to remove any excess dirt.



4. Allow the filter to air dry for 24 hours.



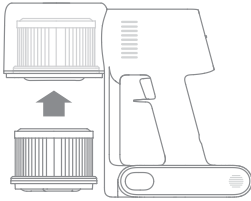
Note:

- Only use clean water to wash the filter. Do not use detergent.
- Do not attempt to clean the filter with a brush or finger.

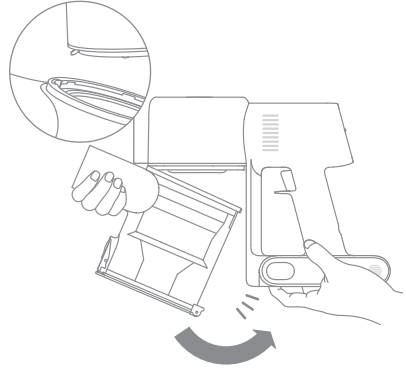
Care & Maintenance

Installing the filter

1. Insert the filter into the vacuum and gently press down, as illustrated.



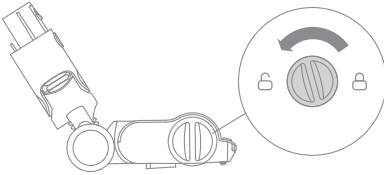
2. Reinstall the dust cup.



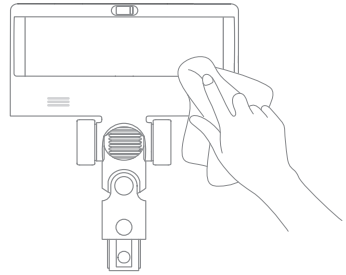
Care & Maintenance

Cleaning the Multi-Surface Brush

1. Turn the lock counterclockwise until it stops, then remove the roller from the roller brush.



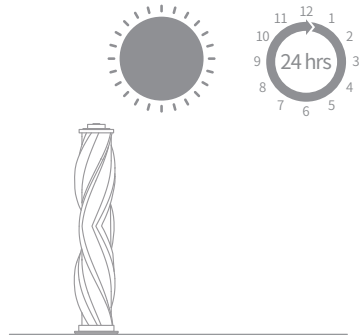
2. Use scissors to cut off the hairs and fibers that get stuck on the brush roller. Wipe the dust from the notch and transparent cover with a dry cloth or paper towel. Thoroughly dry before use.



3. When it is dirty, rinse the brush roller with clean water until it is clean.

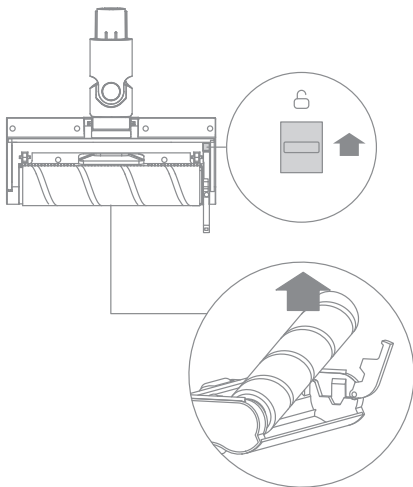


4. Stand the brush roller upright for at least 24 hours until it is fully dry.

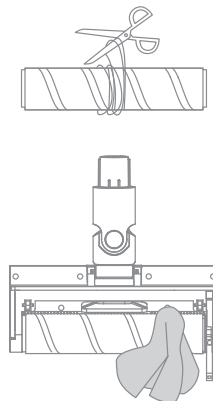


Cleaning the Soft Roller Brush

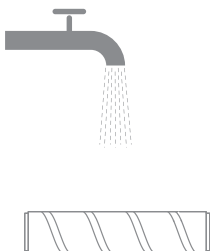
1. As shown in the picture, press the brush roller release button to remove the roller from the slot.



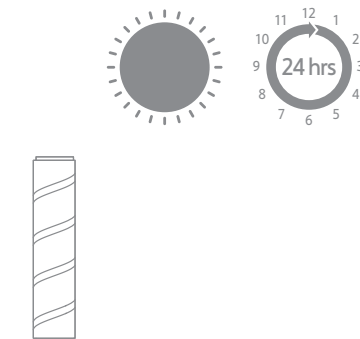
2. Use scissors to cut off the hairs and fibers that get stuck on the brush roller. Wipe the dust from the notch and transparent cover with a dry cloth or paper towel. Thoroughly dry before use.



3. When it is dirty, rinse the brush roller with clean water until it is clean.



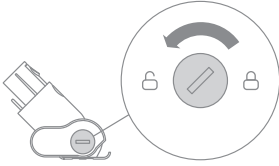
4. Stand the brush roller upright for at least 24 hours until it is fully dry.



Care & Maintenance

Cleaning the Motorized Mini-Brush

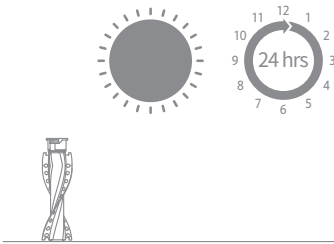
1. Use a coin as illustrated to rotate the lock counterclockwise until you hear a click.



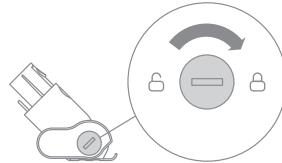
2. After unlocking the motorized mini-brush, remove the brush roller, then rinse and clean it.



3. Stand the brush roller upright in a well-ventilated area for at least 24 hours until it is fully dry.



4. Once the brush roller is dry, reinstall it by following the disassembly steps in reverse.

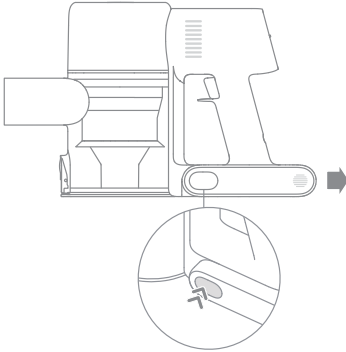


Care & Maintenance

Battery Pack

The vacuum contains a removable rechargeable lithium-ion battery pack which has a limited number of recharge cycles. After extended use, the battery pack may no longer hold a charge. If this happens, it means the battery pack has reached the end of its life cycle and needs to be replaced.

1. Press down the battery pack release button and slide the battery pack to the right, as illustrated, to remove it.
2. Install the new battery pack.



EN Specifications

Vacuum Cleaner			
Model	VTV41B		
Charging Voltage	30 V ---	Rated Voltage	25.2 V ---
Rated Power	425 W	Charging Time	approximately 4 hours
Motorized Mini-Brush			
Model	VMM4		
Rated Power	20 W	Rated Voltage	25.2 V ---
Multi-Surface Brush			
Model	VMB3		
Rated Power	40 W	Rated Voltage	25.2 V ---
Soft Roller Brush			
Model	ASF4		
Rated Power	40 W	Rated Voltage	25.2 V ---
Charger			
Model	YLS0251B-E300080		
Input	100-240 V \sim 50/60 Hz 0.8 A max	Output	30 V --- 0.8 A
Average Active Efficiency	88.53%	Efficiency at Low Load (10%)	78.66%
No-load Power Consumption	0.09 W		
Rechargeable Lithium-Ion Battery Pack			
Model	V2213-7S1P-BCA		
Nominal Voltage	25.2 V ---	Nominal Capacity	3000 mAh
Rated Capacity	2800 mAh	Energy	70.56 Wh

If the vacuum is not working properly, please refer to the table below.

Errors	Possible Causes	Solutions
Vacuum does not work.	Vacuum is out of battery or low on power.	Fully charge the vacuum, then resume use.
	Overheat protection mode triggered by a blockage.	Clean the suction openings or air duct. Wait until the vacuum cools down, then reactivate it.
	Suction opening or air duct is blocked.	Clear any blockages from suction opening or air duct.
Weak suction force.	Dust cup is full and/or filter assembly is clogged.	Empty the dust cup and clean the filter assembly.
	Attachment is blocked.	Clear any blockages in the attachment.
Motor makes a strange noise.	Main suction opening or extension rod is blocked.	Clear any blockage in the main suction opening or extension rod.
The first indicator is red after turning on the vacuum.	Battery pack is damaged.	Please contact after-sales service to arrange maintenance.
The first indicator blinks red when charging the vacuum.	The charger is incompatible.	Only use the original charger to charge the vacuum.

Errors	Possible Causes	Solutions
The battery indicator does not light up when charging.	The charger does not plug into the vacuum well.	Check whether the charger is properly plugged into the vacuum.
	The battery is charged and switches to Sleep Mode automatically.	The vacuum runs normally.
	If the problem persists after ruling out the above two possibilities.	Please contact the after-sales department for maintenance.
Charging too slow.	Battery temperature is too low or too high.	Wait until the battery's temperature returns normal, then resume use.
LED lights of the multi-surface brush do not work.	LED lights are damaged.	Please contact the aftersales department for maintenance.

The lithium-ion battery pack contains substances that are hazardous to the environment. Before disposing of the vacuum, please remove the battery pack, then discard or recycle it in accordance with local laws and regulations of the country or region it is used in.

WEEE Information



All products bearing this symbol are waste electrical and electronic equipment (WEEE as in directive 2012/19/EU) which should not be mixed with unsorted household waste. Instead, you should protect human health and the environment by handing over your waste equipment to a designated collection point for the recycling of waste electrical and electronic equipment, appointed by the government or local authorities. Correct disposal and recycling will help prevent potential negative consequences to the environment and human health. Please contact the installer or local authorities for more information about the location as well as terms and conditions of such collection points.

Sicherheitshinweise

Um zu vermeiden, dass es durch unsachgemäße Benutzung zu Stromschlägen oder Bränden kommt, sollten Sie dieses Handbuch vor der Benutzung sorgfältig durchlesen und es aufbewahren, um künftig nachschlagen zu können.

Warnung

- Dieses Produkt kann von Kindern im Alter ab acht Jahren und von Personen mit physischen, sensorischen und intellektuellen Einschränkungen oder begrenzter Erfahrung oder Wissen benutzt werden, dies muss jedoch unter Aufsicht von Eltern oder einer Aufsichtsperson erfolgen, um einen sicheren Betrieb zu gewährleisten und Gefahren auszuschließen. Eine Wartung und Reinigung durch Kinder darf nur unter Aufsicht erfolgen.
- Der Staubsauger ist kein Spielzeug. Kinder dürfen mit dem Produkt nicht spielen oder es benutzen. Seien Sie bei der Benutzung des Staubsaugers in der Nähe von Kindern bitte vorsichtig. Gestatten Sie es Kindern keinesfalls, den Staubsauger zu reinigen oder zu warten, außer unter Aufsicht eines Elternteils oder Vormunds.
- Der Staubsauger darf nicht im Freien oder auf nassen Oberflächen benutzt werden. Der Staubsauger darf nicht mit nassen Händen berührt werden.
- Um das Risiko von Bränden, Explosionen und Verletzungen zu mindern, prüfen Sie vor der Benutzung bitte den Lithium-Akku und das Ladegerät auf Beschädigungen. Der Staubsauger darf nicht benutzt werden, wenn der Lithium-Akku oder das Ladegerät beschädigt ist.
- Die Mehrflächenbürste, die weiche Walzenbürste, motorisierte Minibürste, der Akku, der Metallanschlusstift und der Staubsauger sind elektrisch leitfähig und sollten nicht in Wasser oder andere Flüssigkeiten getaucht werden. Lassen Sie alle Filter nach dem Reinigen unbedingt trocknen.
- Schützen Sie sich vor Verletzungen durch bewegliche Teile. Schalten Sie den Staubsauger aus, bevor Sie die Mehrflächenbürste und die weiche Walzenbürste reinigen. Die Flächenbürste, die weiche Walzenbürste, der Staubbehälter und der Filter müssen ordnungsgemäß eingesetzt sein, bevor Sie den Staubsauger verwenden.
- Benutzen Sie ausschließlich das Original-Ladegerät. Die Benutzung eines nicht originalen Ladegerätes kann zu einer Entzündung des Lithium-Akkus führen.
- Der Staubsauger darf nicht benutzt werden, um brennbare oder entzündliche Flüssigkeiten wie Benzin, Bleiche, Ammoniak, Abflussreiniger oder andere Flüssigkeiten aufzusaugen.
- Der Staubsauger darf nicht benutzt werden, um Gipspartikel, Asche (z. B. Kaminasche) oder Rauch- oder Brennmaterialien wie Kohle, Zigarettenstummel oder Streichhölzer aufzusaugen.
- Der Staubsauger darf nicht benutzt werden, um scharfe oder harte Objekte wie Glas, Nägel, Schrauben oder Münzen aufzusaugen, da dies zu Schäden am Gerät führen kann.
- Halten Sie Ihre Haare, lockere Kleidungsstücke, Finger und andere Körperteile von den Öffnungen und beweglichen Teilen des Staubsaugers fern. Richten Sie das Verlängerungsrohr, das Rohr oder die Zubehöerteile nicht auf Ihre Augen oder Ohren

und nehmen Sie diese nicht in den Mund.

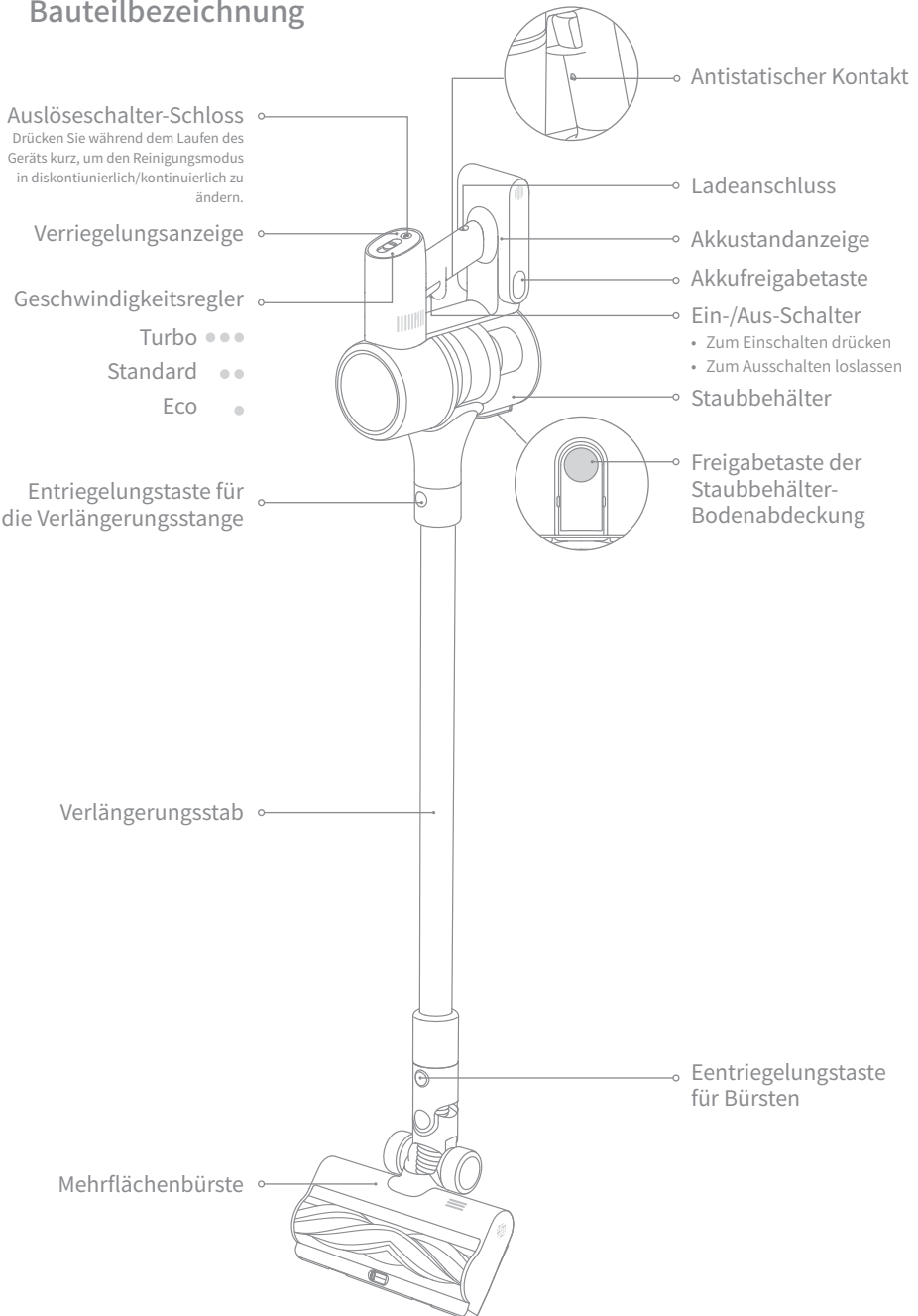
- Stecken Sie keine Gegenstände in die Öffnungen des Staubsaugers. Der Staubsauger darf nicht genutzt werden, wenn eine Öffnung blockiert ist. Er muss frei von Staub, Flusen, Haaren und anderen Gegenständen gehalten werden, die den Luftstrom behindern könnten. nicht genutzt werden, wenn eine Öffnung blockiert ist. Er muss frei von Staub, Flusen, Haaren und anderen Gegenständen gehalten werden, die den Luftstrom behindern könnten.
- Lehnen Sie den Staubsauger nicht gegen Stühle, Tische oder andere instabile Flächen, da dies zur Schäden am Gerät oder Verletzungen führen kann. Falls der Staubsauger durch Umkippen beschädigt wird oder sonst defekt ist, wenden Sie sich bitte an unsere autorisierte Serviceabteilung. Versuchen Sie nie, das Gerät selbst zu zerlegen.
- Beim Aufladen des Akkus sind alle Anweisungen in dieser Anleitung strikt zu befolgen. Wenn bei der Aufladung des Akkus der angegebene Temperaturbereich nicht eingehalten wird, kann der Akku beschädigt werden.
- Verwenden Sie nur vom Hersteller empfohlenes Zubehör und Ersatzteile.
- Stellen Sie sicher, dass der Staubsauger nicht mit dem Stromnetz verbunden ist, wenn Sie ihn über längere Zeit nicht benutzen. Der Staubsauger muss außerdem vom Stromnetz getrennt werden, bevor Wartungs- und Reparaturarbeiten erfolgen.
- Bitte seien Sie besonders vorsichtig, wenn Sie den Staubsauger zur Treppenreinigung verwenden.
- Dieses Produkt darf nicht im Freien, in Badezimmern oder in der Nähe eines Schwimmbeckens benutzt, installiert oder geladen werden.
- Warnung vor Brandgefahr: auf den Filter dürfen keinesfalls Duftstoffe jeglicher Art aufgetragen werden. Diese Art von Produkten enthält häufig brennbare Chemikalien, die dazu führen könnten, dass das Gerät Feuer fängt.
- Verwenden Sie nur das Original-Ladegerät (Modell YLS0251B-E300080). Andernfalls kann es zu einer Entzündung des Lithium-Ionen-Akkus kommen.
- Verwenden Sie nur den zugelassenen Akkutyp (Modell V2213-7S1P-BCA). Andernfalls kann es zu einer Entzündung des Lithium-Ionen-Akkus kommen.
- Sorgen Sie dafür, dass sich während der Freisetzung des Batteriematerials keine Personen in unmittelbarer Nähe befinden, bis die Batterien abgekühlt sind und sich die Dämpfe verflüchtigt haben.
- Stellen Sie sicher, dass der Bereich bestmöglich belüftet ist, damit sich gesundheitsgefährdende Gase schnell verflüchtigen können und der Haut- und Augenkontakt sowie das Einatmen von Dämpfen vermieden wird.
- Entfernen Sie die verschüttete Flüssigkeit mit Absorptionsmittel verbrennen Sie die Abfälle.
- Verwenden und lagern Sie es nicht in extrem heißen oder kalten Umgebungen (unter 0°C /32°F oder über 40°C /104°F). Laden Sie bei einer Ladetemperatur von 0°C bis 40°C mit dem Original-Netzadapter.
- Das Produkt ist nur für den Heimgebrauch bestimmt.

Wir, Dreame Trading (Tianjin) Co., Ltd., bestätigen hiermit, dass dieses Gerät mit geltenden Verordnungen und europäischen Normen sowie etwaigen Ergänzungen in Einklang steht. Der vollständige Wortlaut der EU-Konformitätserklärung ist unter der folgenden Internetadresse abrufbar: <https://global.dreamotech.com>

Ein detailliertes elektronisches Handbuch finden Sie unter <https://global.dreamotech.com/pages/user-manuals-and-faqs>

Produktübersicht

Bauteilbezeichnung

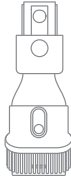


Produktübersicht

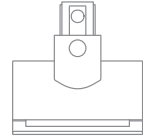
Zubehörliste



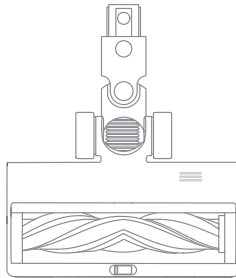
Verlängerungsrohr



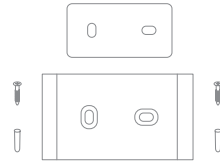
Eine große Anzahl an
Werkzeugkombination



Motorisierte Mini-Bürste



Mehrfächenbürste



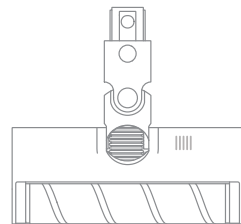
Wandhalterung
(einschließlich Schraube
2, Wandstecker 2 und
Montageschablonenaufkleber)



Biegsame
Fugenbürste



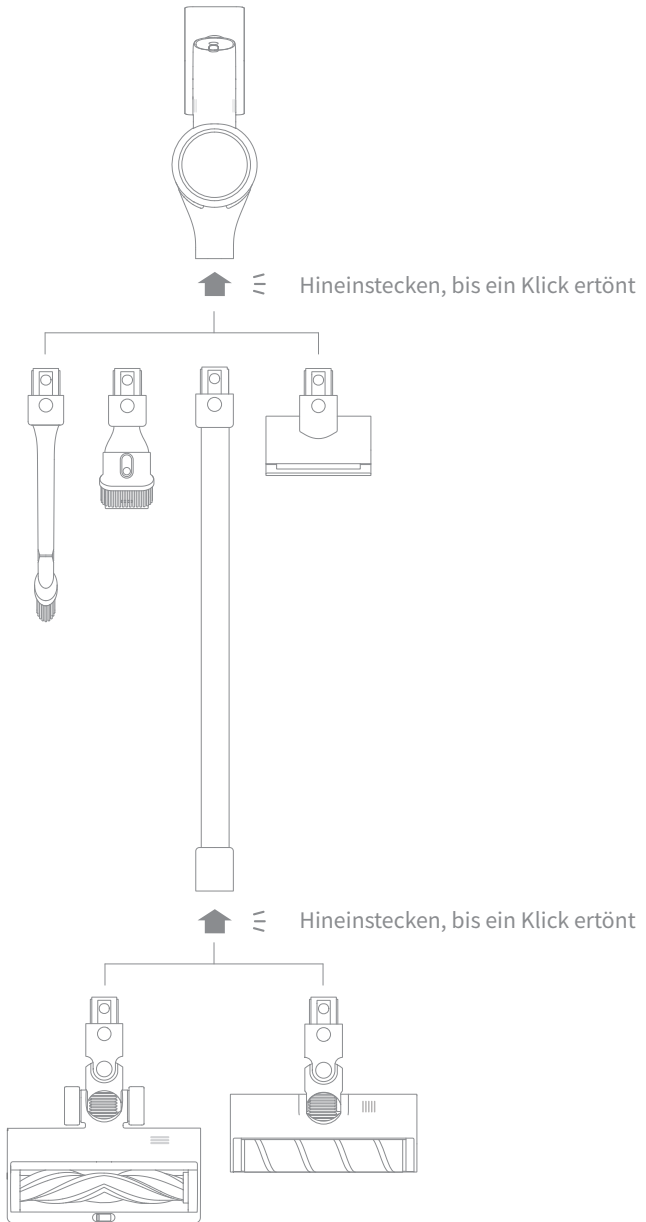
Ladegerät



Weiche
Walzenbürste

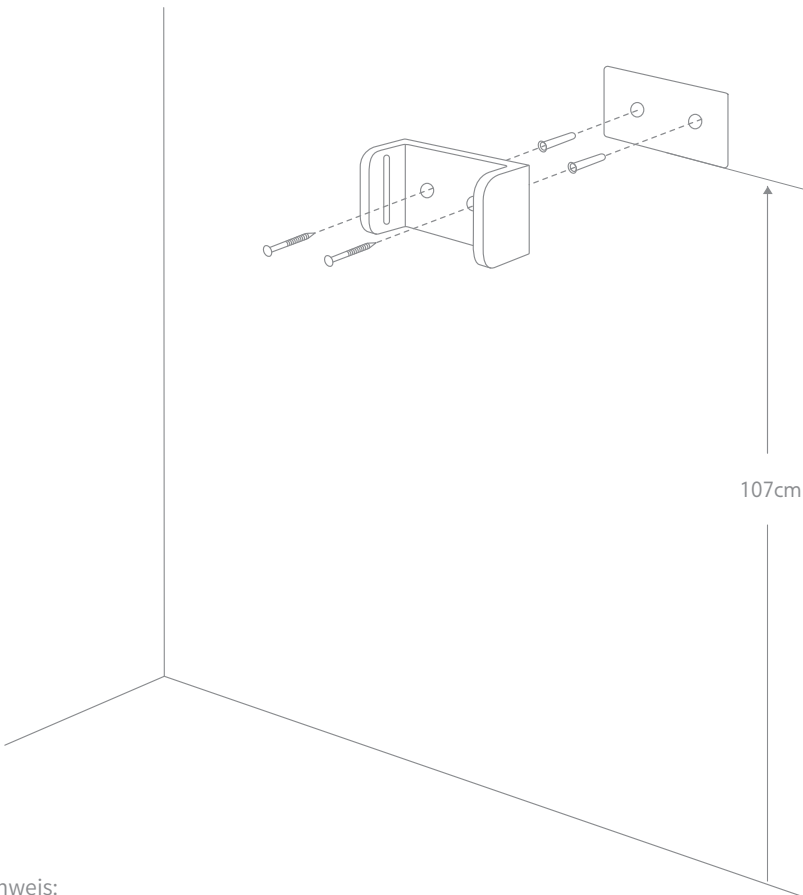
Hinweis: Die Abbildungen in diesem Handbuch dienen nur als Referenz, bitte beziehen Sie sich auf das tatsächliche Aussehen.

Installation



Installationsdiagramm für die Wandmontage

1. Kleben Sie den Aufkleber der Montageschablone an die Wand. Die Unterkante der Montageschablone Aufkleber sollte parallel zu und etwa 107cm vom Boden sein.
2. Verwenden Sie eine Bohrmaschine mit einem 8-mm-Bohrer, um ein Loch in jede Lochmarkierung auf dem Montageschablone-Aufkleber zu bohren, und setzen Sie dann in jedes Loch einen Dübel ein.
3. Richten Sie die Löcher an der Halterung mit den Löchern an der Wand aus. Befestigen Sie sie mit den mitgelieferten Schrauben an der Wand.



Hinweis:

- Die Wandhalterung ist ein optionales Zubehör. Sie können sie je nach Bedarf installieren.
- Die Wandhalterung sollte auf einer kühlen, trockenen Oberfläche mit einer Steckdose in der Nähe installiert werden. Stellen Sie vor der Installation sicher, dass sich keine elektrischen Drähte oder Rohre im Raum direkt hinter der Ratenposition befinden.

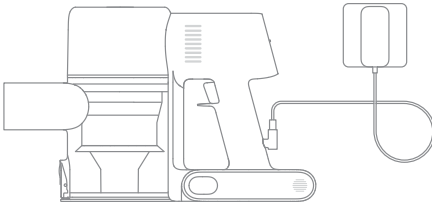
Ladevorgang läuft

Vor der erstmaligen Benutzung sollte der Staubsauger voll aufgeladen werden.

Hinweis: Dies dauert etwa 4 Stunden. Wenn Sie über längere Zeit im Turbomodus Staub saugen, kann dies zur Erhitzung des Akkus führen, was eine längere Ladezeit zur Folge hat. Lassen Sie daher den Staubsauger vor dem Aufladen 30 Minuten abkühlen.

Lademodi

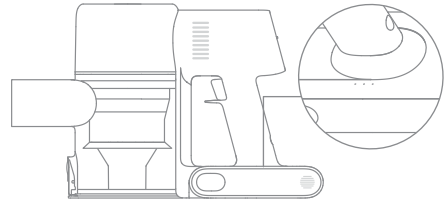
Laden des Staubsaugers mit dem Ladegerät



Akkustandanzeige

- ● ☀ Niedriger Akkustand
- ☀ ○ Akkuladestatus 50%
- ☀ ○ ○ Fast voll
- ○ ○ Voll aufgeladen

- Aus
- ☀ Blinken
- Ein



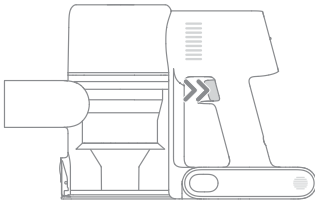
Hinweis: Wenn der Staubsauger voll geladen ist, schaltet sich die Anzeige nach 5 Minuten ab und das Gerät wird in den Energieeinsparmodus versetzt.

Reinigungsmodus

Es gibt zwei Betriebsarten für den Staubsauger, die nach Ihren eigenen Bedürfnissen ausgewählt werden können.

Modus 1: Diskontinuierlicher Reinigungsmodus

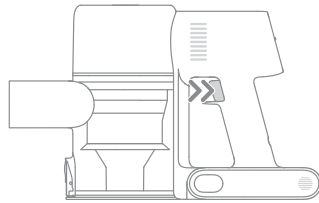
Halten Sie den Schalter des Staubsaugers gedrückt, um den Betrieb aufzunehmen, und lassen Sie ihn los, um sofort zu stoppen.



Modus 2: Kontinuierliche Reinigungsmodus (Auslöseschalter-Schloss)

Drücken Sie bei laufendem Gerät auf die Auslöseschalter-Schloss um in den kontinuierlichen Reinigungsmodus zu wechseln. Lassen Sie dann den ein/aus Schalter los, um den Staubsauger im kontinuierlichen Modus reinigen zu lassen.

Verwenden Sie die Auslöseschalter-Schloss, um Ihre Finger zu entlasten und einer Ermüdung Ihrer Finger durch das Gedrückthalten des Schalters zu vermeiden.

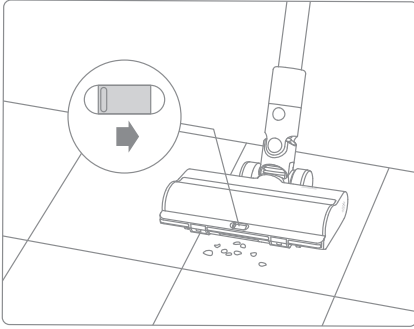


Hinweis:

- Im kontinuierlichen Modus leuchtet die Verriegelungsanzeige konstant.
- Klicken Sie erneut auf das Auslöseschalter-Schloss, um den kontinuierlichen Reinigungsmodus zu beenden.

Benutzung

Benutzung verschiedener Zubehörteile



Mehrflächenbürste

Geeignet für das Saugen von kurz- und mittellanghaarigen Teppichen, Fliesen und Böden.

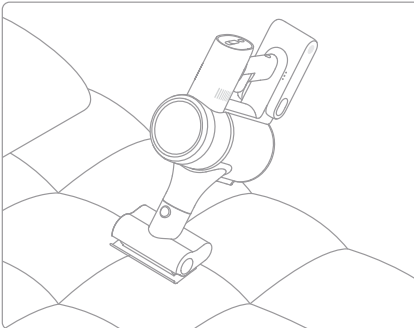
Zum Aufsaugen großer Partikel wie Kaffeebohnen, Maisflocken usw., indem der Schalter an der Bürste umgeschaltet wird.

Hinweis:

- Die Mehrflächenbürste kann direkt am Staubsauger befestigt werden.
- Wenn das Gerät startet, schalten sich die Lichter vor der Bürstenrolle automatisch ein, was für die Benutzung sehr praktisch ist.

Motorisierte Mini-Bürste

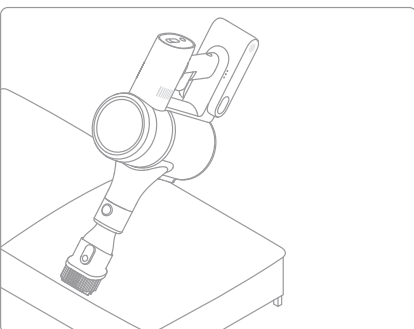
Zum Aufsaugen von Schmutz, Tierhaaren und anderen hartnäckigen Ablagerungen auf Sofas, Bettzeug und anderen Textiloberflächen.



Hinweis: Das Staubsaugen auf Oberflächen, die eingezogen werden könnten wie z. B. Seide, wird nicht empfohlen.

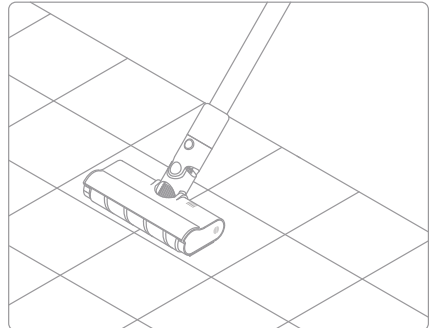
Eine große Anzahl an Werkzeugkombination

Zum Saugen von Vorhängen, Sofas, Fahrzeuginnenräumen, Couchtischen usw.



Weiche Walzenbürste

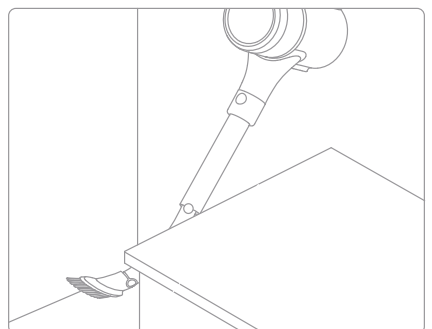
Für die Reinigung von Hartböden wie Marmor und Fliesen geeignet.



Hinweis: Die weiche Walzenbürste kann direkt am Staubsauger befestigt werden.

Biegsame Fugenbürste

Biegbare und einziehbare Bürsten, flexibler zum Saugen in engen Spalten.

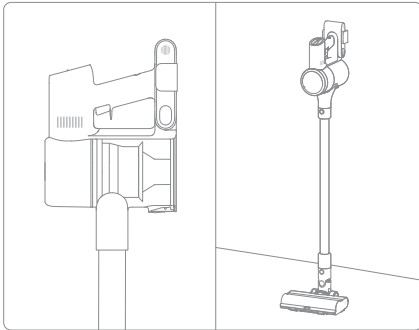


Wandhalterung

Der Staubsauger kann auf der Wandhalterung platziert werden, wenn es nicht in Gebrauch ist.

Hinweis:

- Stellen Sie den Staubsauger nicht allein auf der Wandhalterung.
- Legen Sie es auf die Wandhalterung nach Verbindung mit der Verlängerungsstange und der Mehrflächenbürste .



Hinweis:

- Wenn ein rotierendes Teil stecken bleibt, kann es passieren, dass der Staubsauger sich automatisch abschaltet. Entfernen Sie dann etwaige eingeklemmte Fremdkörper und setzen Sie die Benutzung fort.
- Wenn der Motor sich überhitzt, wird der Staubsauger automatisch ausgeschaltet. Bitte warten Sie, bis sich die Temperatur des Akkus normalisiert hat, und setzen Sie erst dann die Benutzung fort.

Pflege und Wartung

Sicherheitsregeln für die Wartung

- Verwenden Sie stets Originalteile, um ein Erlöschen der Garantie zu vermeiden.
- Falls der Filter oder die Düse verstopft sind, wird der Staubsauger kurz nach Einschalten den Betrieb einstellen. Um die Funktion wiederherzustellen, müssen Sie den Filter oder die Düse reinigen.
- Wenn der Staubsauger für eine längere Zeit nicht benutzt werden wird, laden Sie ihn voll auf, trennen Sie ihn vom Netz und lagern ihn an einem kühlen und trockenen Ort ohne direkte Sonneneinstrahlung. Um eine Tiefentladung des Akkus zu vermeiden, sollte der Staubsauger mindestens einmal alle drei Monate aufgeladen werden.

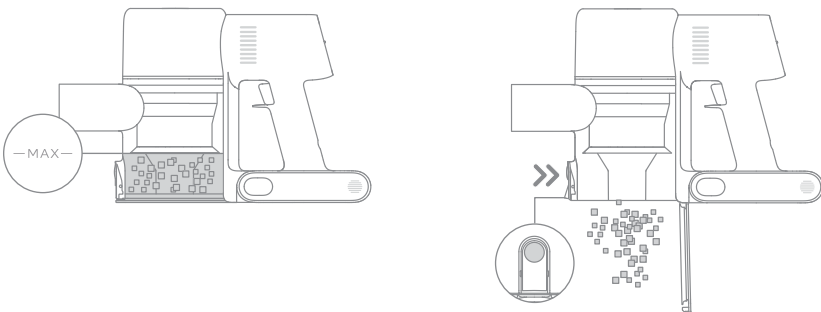
Reinigung des Staubsaugers

Reinigen Sie den Staubsauger mit einem weichen, trockenen Tuch.

Reinigung des Staubbehälters, des Vorfilters und der Zyklon-Baugruppe

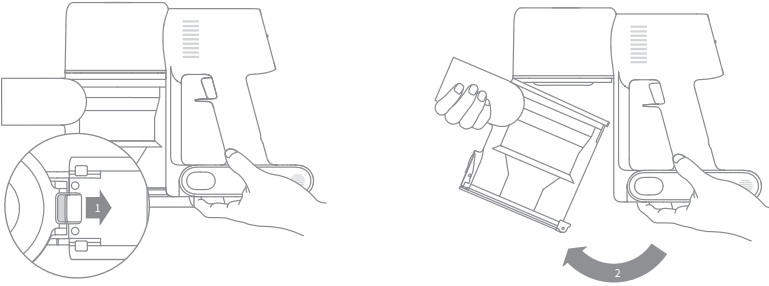
Die Reinigungsleistung des Staubsaugers reduziert sich, wenn das Staubabteil bis zur "MAX"-Markierung gefüllt ist. Um die volle Reinigungsleistung wiederherzustellen, sollten Sie den Staubbehälter rechtzeitig leeren. Bevor Sie den Staubbehälter leeren, sollten Sie sicherstellen, dass der Staubsauger von der Stromversorgung getrennt ist. Vermeiden Sie es außerdem, die Einschalttaste zu drücken.

1. Drücken Sie die Entriegelungstaste der Bodenabdeckung des Staubbehälters und entleeren Sie dann den Inhalt.

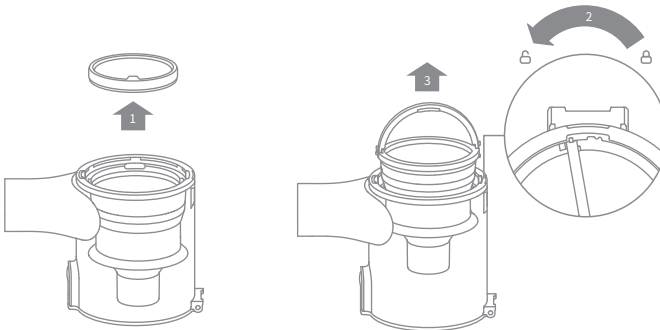


Pflege und Wartung

2. Drücken Sie die Freigabetaste des Staubbehälters in die Pfeilrichtung und nehmen Sie den Staubbehälter vorsichtig aus dem Staubsauger.

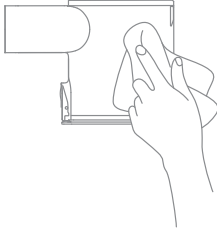


3. Entfernen Sie die zunächst den Vorfilter, heben Sie dann den Griff der Zyklon-Baugruppe an und drehen Sie ihn gegen den Uhrzeigersinn bis zum Anschlag. Anschließend können Sie die Zyklon-Baugruppe herausheben.



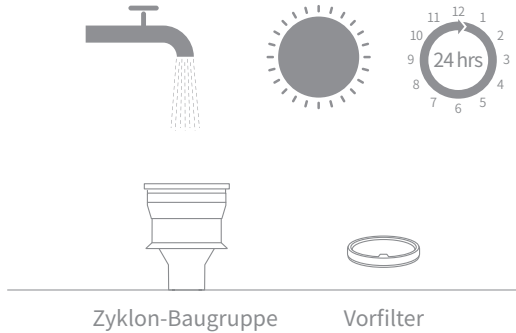
Pflege und Wartung

4. Wischen Sie den Staubbecher mit einem weichen, nassen Tuch ab. Achten Sie darauf, das Tuch vor dem Gebrauch auszuwringen.



Um elektrische Schläge zu vermeiden, den Staubbehälter bitte nicht unter fließendem Wasser reinigen!

5. Reinigen Sie das Zyklonen- und VorFilterystem bis sie sauber sind. Nach der Reinigung mindestens 24 Stunden an der Luft trocknen lassen.



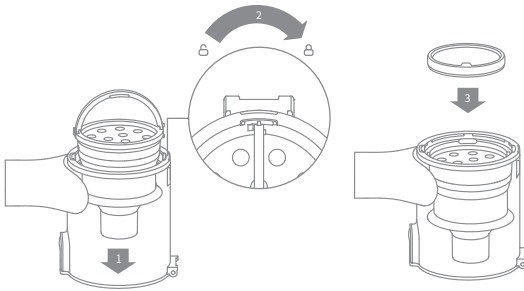
Hinweis:

- Der Staubbehälter sollte mindestens einmal im Monat ausgespült werden.
- Es wird empfohlen, den Vorfilter mindestens einmal alle 3 Monate und das Zyklonsystem mindestens einmal alle 6 Monate zu reinigen.

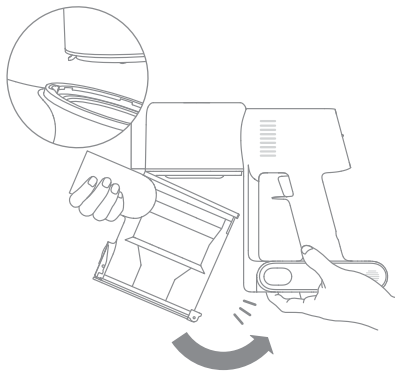
Pflege und Wartung

Installation des Staubbehälters, des Vorfilters und der Zyklon-Baugruppe

1. Setzen Sie die Zyklon-Baugruppe vertikal in den Staubbehälter ein und vergewissern Sie sich, dass der Griff der Zyklon-Baugruppe korrekt mit dem Schlitz auf der linken Seite des Staubbehälters ausgerichtet ist. Drehen Sie den Griff im Uhrzeigersinn, bis er einrastet, und klappen Sie dann den Griff nach unten.
2. Setzen Sie den Vorfilter mit der Vorderseite nach oben in die Zyklon-Baugruppe ein.



3. Neigen Sie den Staubbehälter leicht, so dass der Schlitz mit dem Clip am Staubsauger ausgerichtet ist. Schieben Sie den Staubbehälter dann vorsichtig hinein, bis er einrastet.

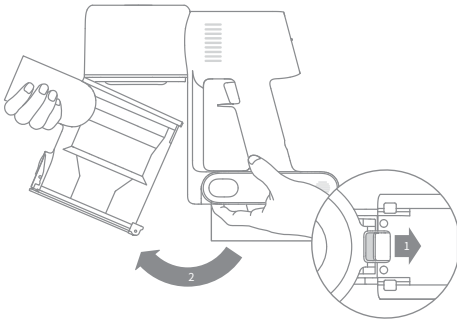


Pflege und Wartung

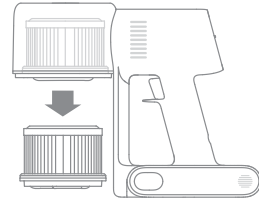
Reinigung des -Filter

Der Filter sollte alle 4 bis 6 Monate ausgewechselt werden.

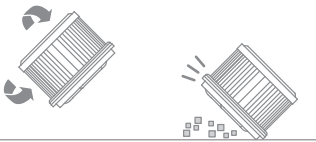
1. Entfernen Sie den Staubbehälter wie in der Abbildung dargestellt.



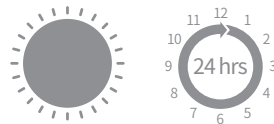
2. Entfernen Sie den Filter aus dem Staubsauger, indem Sie ihn in die in der Abbildung gezeigten Richtung nach unten ziehen.



3. Reinigen Sie den Filter mit sauberem Wasser. Achten Sie darauf, dass Sie den Filter um 360° drehen, um den gesamten im Filter aufgefangenen Staub gründlich zu entfernen. Klopfen Sie mehrmals leicht auf den Filter, um vorhanden Schmutz zu entfernen.



4. Lassen Sie den Filter mindestens 24 Stunden lang gründlich trocknen.



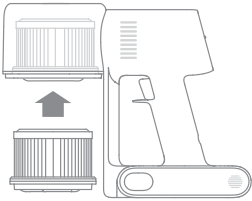
Hinweis:

- Säubern Sie den Filter ausschließlich mit sauberem Wasser. Verwenden Sie keine Reinigungsmittel.
- Versuchen Sie nicht, den Filter mit einer Bürste oder einem Finger zu reinigen.

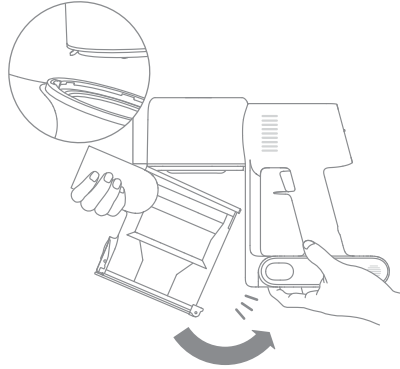
Pflege und Wartung

Installation des Filters

1. Setzen Sie den Filter in den Staubsauger ein und drücken Sie ihn vorsichtig nach unten, wie in der Abbildung gezeigt.



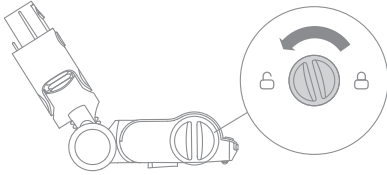
2. Installation des Staubbehälters.



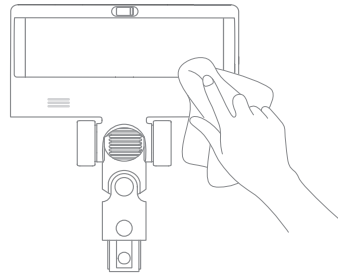
Pflege und Wartung

Mehrflächenbürste reinigen

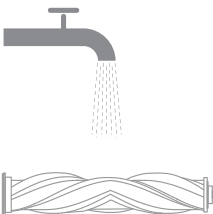
1. Drehen Sie das Schloss gegen den Uhrzeigersinn, bis es stoppt, und entfernen Sie dann die rolle.



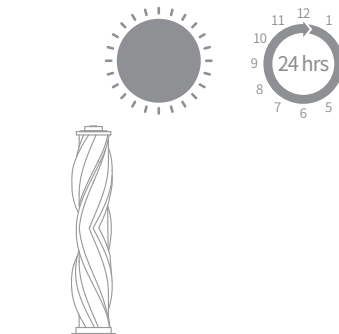
2. Schneiden Sie mit einer Schere die Haare und Fasern ab, die auf die bürstenrolle hängen bleiben. Wischen Sie den Staub von der Kerbe und dem transparenten Deckel mit einem trockenen Tuch oder Papiertuch ab. Vor Gebrauch gründlich trocknen.



3. Wenn es verschmutzt ist, spülen Sie die bürstenrolle mit sauberem Wasser, bis sie sauber ist.

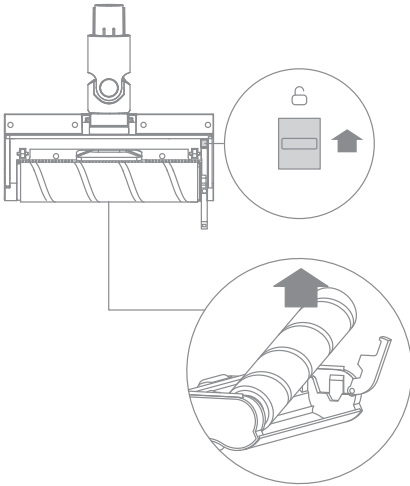


4. Stellen Sie die bürstenrolle mindestens 24 Stunden aufrecht, bis sie vollständig trocken ist.

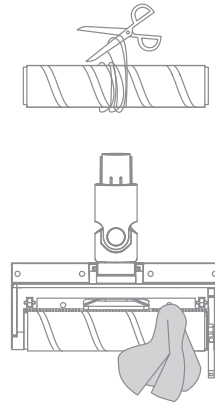


Reinigung der weichen Walzenbürste

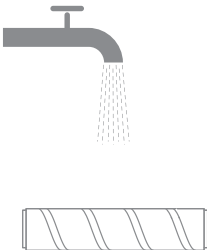
1. Drücken Sie, wie in der Abbildung gezeigt, die Entriegelungstaste der walzenbürste, um die Bürste aus dem Steckplatz zu entfernen.



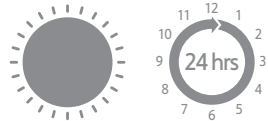
2. Schneiden Sie mit einer Schere die Haare und Fasern ab, die auf die bürstenrolle hängen bleiben. Wischen Sie den Staub von der Kerbe und dem transparenten Deckel mit einem trockenen Tuch oder Papiertuch ab. Vor Gebrauch gründlich trocknen.



3. Wenn es verschmutzt ist, spülen Sie die bürstenrolle mit sauberem Wasser, bis sie sauber ist.



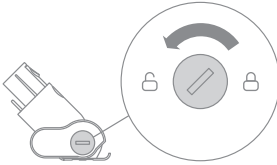
4. Stellen Sie die bürstenrolle mindestens 24 Stunden aufrecht, bis sie vollständig trocken ist.



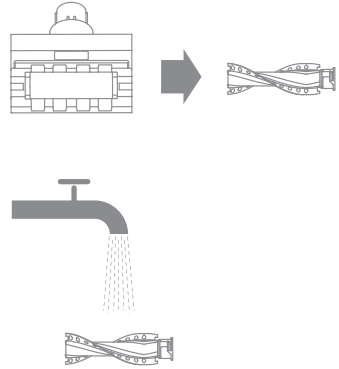
Pflege und Wartung

Motorisierte Mini-Bürste reinigen

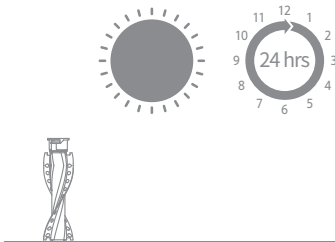
1. Drehen Sie mit Hilfe einer Münze die Verriegelung gegen den Uhrzeigersinn bis zum Klick.



2. Nach dem Entriegeln der motorisierten Mini-Bürste, entfernen Sie die Bürstenrolle, dann abspülen und reinigen Sie sie.



3. Stellen Sie die Bürstenrolle mindestens 24 Stunden lang an einem gut belüfteten Ort aufrecht, bis sie vollständig trocken ist.



4. Sobald die Bürstenrolle trocken ist, setzen Sie sie wieder ein, indem Sie den Demontageschritten in umgekehrter Reihenfolge folgen.

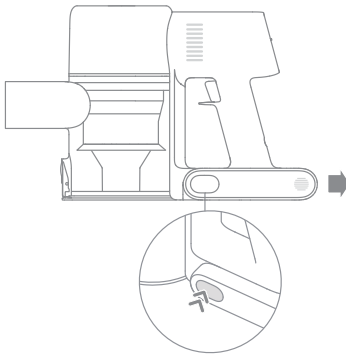


Pflege und Wartung

Akku

Der Staubsauger enthält einen herausnehmbaren, wiederaufladbaren Lithium-Ionen-Akku, der eine begrenzte Anzahl von Ladezyklen hat. Nach längerem Gebrauch kann es geschehen, dass der Akku keine Ladung mehr hält. Wenn dies geschieht, bedeutet dies, dass der Akku das Ende seiner Lebensdauer erreicht hat und ersetzt werden muss.

1. Drücken Sie den Entriegelungsknopf des Akkus nach unten und schieben Sie den Akku, wie in der Abbildung gezeigt, nach rechts, um ihn zu entfernen.
2. Installation des neuen Akkus.



Spezifikationen

Staubsauger			
Modell	VTV41B		
Ladespannung	30 V ---	Nennspannung	25,2 V ---
Bemessungsleistung	425 W	Ladedauer	ca,4 Stunden
Motorisierte Mini-Bürste			
Modell	VMM4		
Bemessungsleistung	20 W	Nennspannung	25,2 V ---
Mehrflächenbürste			
Modell	VMB3		
Bemessungsleistung	40 W	Nennspannung	25,2 V ---
Weiche Walzenbürste			
Modell	ASF4		
Bemessungsleistung	40 W	Nennspannung	25,2 V ---
Ladegerät			
Modell	YLS0251B-E300080		
Eingang	100-240 V \sim 50/60 Hz 0,8 A max	Ausgang	30 V --- 0,8 A
Durchschnittliche aktive Effizienz	88,53%	Effizienz bei geringer Belastung (10%)	78,66%
Nulllast-Leerlaufleistung		0,09 W	
Wiederaufladbarer Lithium-Ionen-Akku			
Modell	V2213-7S1P-BCA		
Nennspannung	25,2 V ---	Sollkapazität	3000 mAh
Nennkapazität	2800 mAh	Energie	70,56 Wh

Falls der Staubsauger nicht korrekt funktionieren sollte, beachten Sie bitte die folgende Tabelle, um eine Problemlösung zu finden.

Fehler	Mögliche Ursache	Lösung
Der Staubsauger funktioniert nicht.	Der Akku ist leer oder fast leer.	Laden Sie den Staubsauger vollständig auf und versuchen Sie es erneut.
	Durch eine Blockade wurde der Überhitzungsschutz ausgelöst.	Warten Sie, bis der Staubsauger abgekühlt ist und versuchen Sie es dann erneut.
	Die Saugöffnung oder der Strömungsweg ist blockiert.	Befreien Sie die Ansaugöffnung oder den Strömungsweg von etwaigen Hindernissen.
Die Saugleistung ist reduziert.	Der Staubbehälter ist voll und/oder der Filter ist verstopft.	Leeren Sie das Staubfach und reinigen Sie die Filtereinheit.
	Das Zubehörteil ist blockiert.	Entfernen Sie Blockaden vom Zubehörteil.
Der Motor gibt ein merkwürdiges Geräusch ab.	Die Hauptsaugöffnung oder das Verlängerungsrohr ist verstopft.	Entfernen Sie Verstopfungen aus der Hauptsaugöffnung oder dem Verlängerungsrohr.
Das erste Anzeigelicht ist nach Einschalten des Staubsaugers rot.	Der Akku ist beschädigt.	Wenden Sie sich bitte an den Kundendienst, um eine Wartung zu veranlassen.
Das erste Anzeigelicht blinkt beim Laden des Staubsaugers rot.	Das Ladegerät ist nicht kompatibel.	Benutzen Sie ausschließlich das Original-Ladegerät, um den Staubsauger aufzuladen.

Fehler	Mögliche Ursache	Lösung
Die Akku-Anzeige leuchtet während des Ladevorgangs nicht auf.	Das Ladegerät ist nicht mit dem Staubsauger verbunden.	Vergewissern Sie sich, dass das Ladegerät richtig eingesteckt ist.
	Der Akku ist vollständig geladen und ist in den Energiesparmodus gewechselt.	Der Staubsauger kann normal benutzt werden.
	Wenn die beiden vorstehend genannten Möglichkeiten ausgeschlossen worden sind und das Problem weiter besteht.	Wenden Sie sich bitte an den Kundendienst, um Hilfe zu erhalten.
Der Akku wird nur langsam geladen.	Die Temperatur des Akkus ist zu hoch oder zu niedrig.	Warten Sie, bis die Akkutemperatur sich normalisiert hat und setzen Sie dann die Benutzung fort.
Die LED-Leuchten der Multiflächenbürste funktionieren nicht.	Die LED-Leuchten sind beschädigt.	Wenden Sie sich bitte an den Kundendienst, um Hilfe zu erhalten.

Der Lithium-Ionen-Akku enthält umweltgefährdende Stoffe. Bevor der Staubsauger entsorgt wird, muss zunächst der Akku entfernt werden, anschließend muss in Übereinstimmung mit den lokalen Gesetzen und Vorschriften des Landes oder der Region, in dem er benutzt wurde, eine Entsorgung oder Wiederverwertung stattfinden.

WEEE-Informationen



Alle mit diesem Symbol gekennzeichneten Produkte sind Elektroschrott und Elektrogeräte (WEEE entsprechend EU-Richtlinie 2012/19/EU) und dürfen nicht mit unsortiertem Haushaltsmüll vermischt werden. Schützen Sie stattdessen Ihre Mitmenschen und die Umwelt, indem Sie Ihre zu entsorgenden Geräte an eine dafür vorgesehene, von der Regierung oder einer lokalen Behörde eingerichtete Sammelstelle zum Recycling von Elektroschrott und Elektrogeräten bringen. Eine ordnungsgemäße Entsorgung und Recycling helfen, negative Auswirkungen auf die Gesundheit von Umwelt und Menschen zu vermeiden. Wenden Sie sich bitte an den Installateur oder lokale Behörden, um Informationen zum Standort und den allgemeinen Geschäftsbedingungen solcher Sammelstellen zu erhalten.

Entsorgung von Elektro- und Elektronikgeräten



Die durchgestrichene Mülltonne bedeutet, dass Sie gesetzlich verpflichtet sind, diese Geräte einer vom unsortierten Siedlungsabfall getrennten Erfassung zuzuführen. Die Entsorgung über die Restmülltonne oder die gelbe Tonne ist untersagt. Enthalten die Produkte Batterien oder Akkus, die nicht fest verbaut sind, müssen diese vor der Entsorgung entnommen und getrennt als Batterie entsorgt werden.

Möglichkeiten der Rückgabe von Altgeräten

Besitzer von Altgeräten können diese im Rahmen der durch öffentlich-rechtlichen Entsorgungsträger eingerichteten und zur Verfügung stehenden Möglichkeiten der Rückgabe oder Sammlung von Altgeräten abgeben, damit eine ordnungsgemäße Entsorgung der Altgeräte sichergestellt ist. Unter dem folgenden Link besteht die Möglichkeit, sich ein Onlineverzeichnis der Sammel- und Rücknahmestellen anzuzeigen zu lassen: <https://www.ear-system.de/ear-verzeichnis/sammel-und-ruecknahmestellen>.

Datenschutz

Wir weisen alle Endnutzer von Elektro- und Elektronikaltgeräten darauf hin, dass Sie für das Löschen personenbezogener Daten auf den zu entsorgenden Altgeräten selbst verantwortlich sind.

Veillez lire attentivement ce manuel avant toute utilisation et le conserver pour pouvoir le consulter ultérieurement afin d'éviter les accidents, notamment les chocs électriques ou les incendies causés par une mauvaise utilisation.

Avertissement

- Cet appareil peut être utilisé par des enfants à partir de 8 ans et par des personnes ayant des capacités physiques, sensorielles ou mentales réduites ou un manque d'expérience et de connaissances à condition qu'elles aient été placées sous surveillance ou qu'elles aient reçu des instructions concernant l'utilisation de l'appareil en toute sécurité et qu'elles comprennent les dangers encourus.
- L'aspirateur n'est pas un jouet. Les enfants ne doivent pas jouer avec ce produit ou l'utiliser. Soyez vigilant lorsque vous utilisez ce produit à proximité d'enfants. Les enfants ne sont pas autorisés à nettoyer ou à entretenir l'aspirateur sans la surveillance d'un parent ou d'un adulte.
- N'utilisez pas l'aspirateur à l'extérieur sur des surfaces mouillées. Utilisez-le uniquement sur des surfaces sèches à l'intérieur. Ne touchez pas la prise ou toute partie de l'aspirateur avec des mains mouillées.
- Vérifiez que la batterie au lithium et l'adaptateur de charge ne sont pas endommagés avant utilisation afin de réduire le risque d'incendie, d'explosion ou de blessure. N'utilisez pas l'aspirateur si l'un de ces éléments est endommagé.
- La brosse pour sol multi-surfaces, la brosse à rouleau souple, la mini-brosse motorisée, la batterie, la broche de connecteur métallique et l'aspirateur sont électroconducteurs et ne doivent pas être plongés dans l'eau ou d'autres liquides. N'oubliez pas de sécher tous les filtres après les avoir nettoyés.
- Évitez les blessures liées aux pièces mobiles. Éteignez l'aspirateur avant de nettoyer la brosse pour sol multi-surfaces et la brosse à rouleau souple. La brosse pour sol multi-surfaces, la brosse à rouleau souple, le bac à poussière et le filtre doivent tous être correctement installés avant d'utiliser l'aspirateur.
- Utilisez uniquement l'adaptateur de charge d'origine. N'utilisez jamais d'adaptateur d'une autre marque, car la batterie au lithium pourrait prendre feu.
- N'utilisez pas l'aspirateur pour aspirer des liquides inflammables ou combustibles, comme de l'essence, ou de l'eau de javel, de l'ammoniaque, des nettoyants pour canalisations ou tout autre liquide.
- N'utilisez pas l'aspirateur pour aspirer des particules de plâtre, des cendres ou des matériaux de combustion ou des substances fumigènes, tels que du charbon, des mégots de cigarette ou des allumettes.
- N'utilisez pas l'aspirateur pour aspirer des objets durs ou pointus, comme du verre, des clous, des vis ou des pièces de monnaie sous peine d'endommager l'appareil.
- Éloignez les cheveux, les vêtements amples, les doigts et les autres parties du corps des pièces mobiles et des ouvertures de l'aspirateur. Ne dirigez pas la tige d'extension, le tube ou les outils vers les yeux ou les oreilles, ou ne les mettez pas dans la bouche.
- Ne placez aucun objet dans les orifices de l'aspirateur. N'utilisez pas l'aspirateur en

cas d'obstruction d'un des orifices. Retirez la poussière, les peluches, les cheveux ou tout autre élément susceptible de réduire le flux d'air.

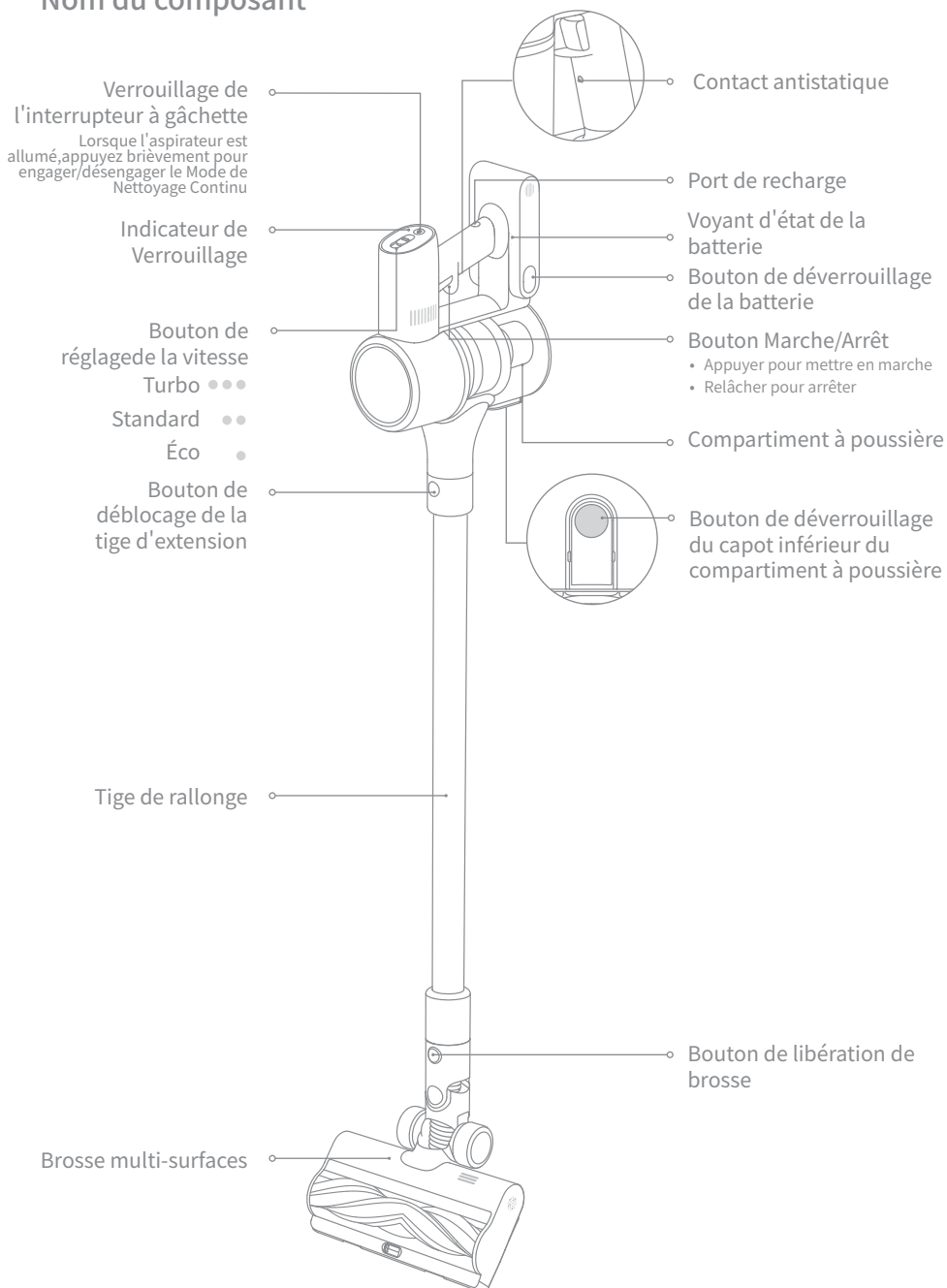
- Ne placez pas l'aspirateur contre une chaise, une table ou toute surface instable sous peine d'endommager l'appareil ou de vous blesser. Si l'aspirateur est endommagé ou fonctionne mal en raison d'une chute, contactez notre service après-vente agréé. Ne tentez jamais de démonter l'appareil vous-même.
- Toutes les instructions du manuel relatives à la recharge de la batterie doivent être suivies scrupuleusement. Vous pourriez endommager la batterie si vous ne la chargez pas dans la plage de températures spécifiée.
- Utilisez uniquement des accessoires et pièces de rechange recommandées par le fabricant.
- Veillez à débrancher l'aspirateur lorsqu'il n'est pas utilisé pendant une période prolongée ou avant tout entretien ou toute réparation.
- Soyez extrêmement vigilant lorsque vous utilisez l'aspirateur pour nettoyer un escalier.
- Ce produit ne doit pas être installé, chargé ou utilisé à l'extérieur, dans une salle de bains ou autour d'une piscine.
- Avertissement sur le risque d'incendie : N'appliquez aucun parfum dans le filtre de l'aspirateur. L'appareil pourrait prendre feu, car ces types de produits sont connus pour contenir des produits chimiques inflammables.
- Utilisez uniquement le chargeur d'origine (modèle YLS0251B-E300080). Si cette consigne n'est pas respectée, la batterie lithium-ion risque de prendre feu.
- Utilisez uniquement le type de batterie approuvé (modèle V2213-7S1P-BCA). Si cette consigne n'est pas respectée, la batterie lithium-ion risque de prendre feu.
- Si le matériau de la batterie fuit, éloignez le personnel de la zone jusqu'à ce que les batteries refroidissent et que les fumées se dissipent.
- Assurer une ventilation maximale pour dissiper les gaz dangereux et éviter le contact avec la peau et les yeux ou l'inhalation des vapeurs.
- Enlever le liquide répandu avec un absorbant et incinérer les déchets.
- Ne pas l'utiliser ni le déposer dans des environnements extrêmement chauds ou froids (en dessous de 0°C /32°F ou au-dessus de 40°C /104°F). Chargez à une température entre 0°C et 40°C en utilisant l'adaptateur d'alimentation d'origine.
- Ce produit est conçu pour une utilisation domestique uniquement.

Par la présente, Dreame Trading (Tianjin) Co., Ltd., déclare que cet équipement est conforme aux directives et normes européennes applicables, ainsi qu'à leurs amendements. L'intégralité de la déclaration de conformité pour l'UE est disponible à l'adresse suivante: <https://global.dreametech.com>

Pour obtenir un manuel électronique détaillé, rendez-vous sur le site <https://global.dreametech.com/pages/user-manuals-and-faqs>

Présentation du produit

Nom du composant

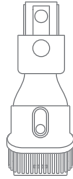


Présentation du produit

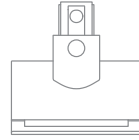
Liste des accessoires



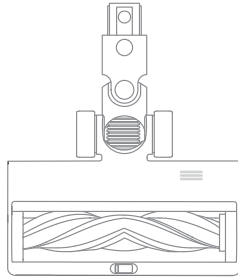
Tige de rallonge



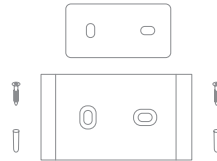
Outil de combinaison large



Mini-brosse motorisée



Brosse multi-surfaces



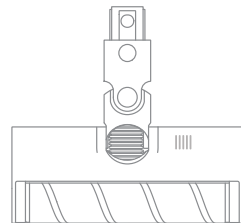
Support mural
(comprenant une vis $\times 2$, une prise murale $\times 2$, et un autocollant de gabarit de montage)



Outil combiné flexible



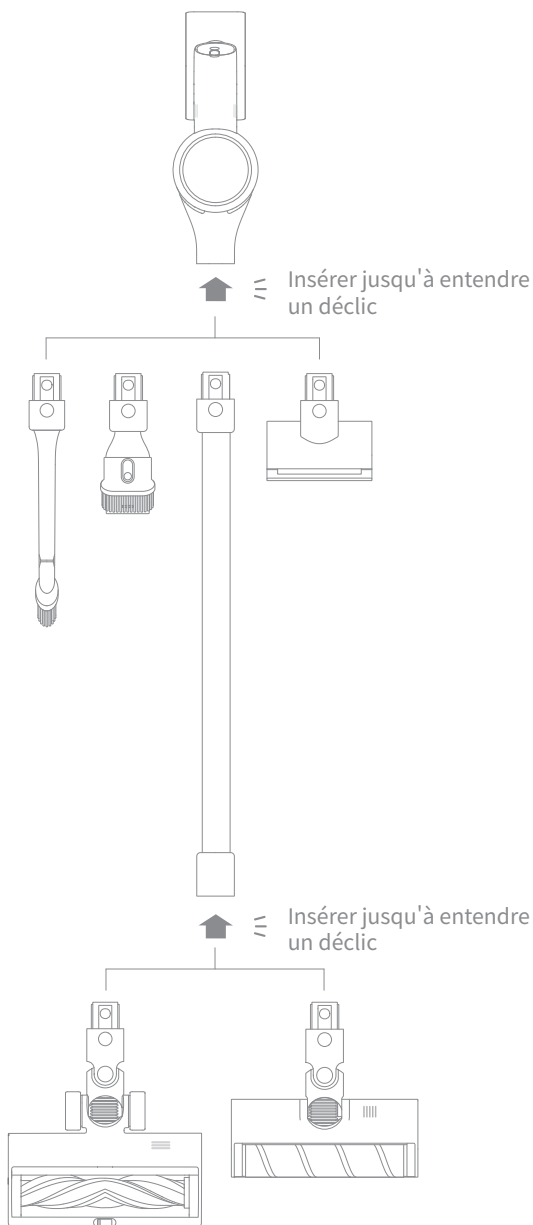
Chargeur



Brosse à rouleau souple

Rappel : Photo non contractuelle, veuillez vous référer aux objets concrets.

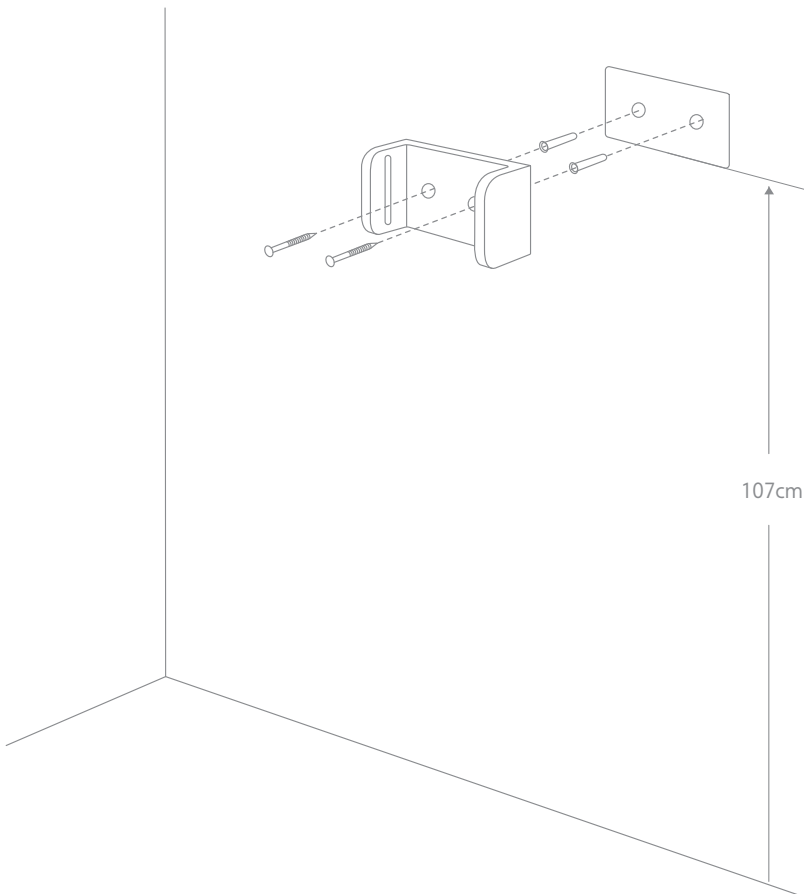
Procédure d'installation



Procédure d'installation

Schéma d'installation du support mural

1. Collez l'autocollant de montage sur le mur. Le bord inférieur de l'autocollant du gabarit de montage doit être parallèle au sol et à environ 107 cm de celui-ci.
2. Utilisez une perceuse électrique avec une fraise de 8 mm pour percer un trou à chaque emplacement indiqué sur le patron d'installation. Ensuite, insérez une cheville murale dans chaque trou.
3. Alignez les trous du support avec les trous du mur. Fixez-le au mur à l'aide des vis fournies.



Remarque :

- Le support mural est un accessoire en option. Vous pouvez l'installer en fonction de vos besoins.
- Le support mural doit être installé sur une surface fraîche et sèche, avec une prise électrique à proximité. Avant de l'installer, assurez-vous qu'il n'y a pas de fils électriques ou de tuyaux dans l'espace situé directement derrière la position d'installation.

Recharge

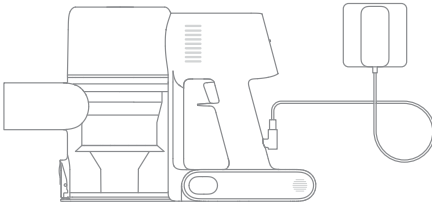
Chargez entièrement la batterie de l'aspirateur avant la première utilisation.

Remarque :

- Cette opération dure environ 4 heures.
- L'aspiration en mode Turbo pendant une période prolongée peut entraîner la surchauffe de la batterie, ce qui augmente le temps de charge. Laissez l'aspirateur refroidir pendant 30 minutes avant de le charger.

Modes de charge

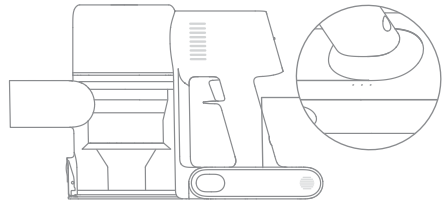
Recharge de l'aspirateur avec le chargeur



Voyant d'état de la batterie

- ● ☀ Batterie faible
- ☀ ○ Batterie à moitié vide
- ☀ ○ ○ Batterie presque pleine
- ○ ○ Entièrement chargée

- Arrêt ☀ Clignotant ○ Marche



Remarque : Une fois l'aspirateur entièrement chargé, le voyant s'éteint au bout de 5 minutes et l'appareil passe en mode économie d'énergie.

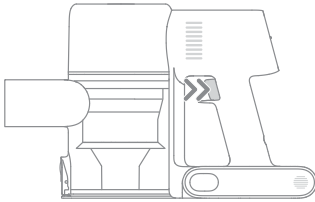
Mode d'utilisation

Mode de nettoyage

Il existe deux modes de fonctionnement pour l'aspirateur, qui peuvent être sélectionnés en fonction de vos propres besoins.

Mode 1 : Mode de nettoyage discontinu

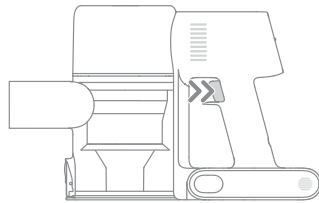
Dans ce mode, appuyez brièvement sur l'interrupteur pour suspendre le fonctionnement ou démarrer à nouveau, et le mode de fonctionnement de l'aspirateur ne changera pas.



Mode 2 : Mode de nettoyage continu (Verrouillage de l'interrupteur à gâchette)

Pour changer vers le Mode de Nettoyage Continu lorsque l'aspirateur est allumé, engagez la clé de verrouillage de l'interrupteur à gâchette. Relâchez ensuite le bouton marche/arrêt pour démarrer le Mode de Nettoyage Continu.

Utilisez le verrouillage de l'interrupteur à gâchette pour vous permettre de libérer vos doigts et éviter ainsi la fatigue causée par le maintien de l'interrupteur.

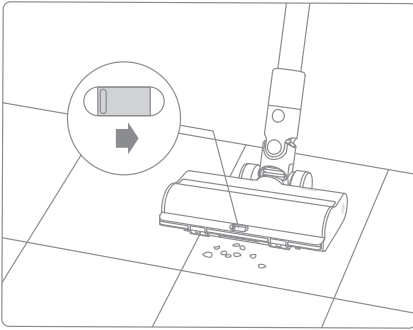


Remarque :

- Lorsque ce mode est active, l'indicateur de verrouillage devrait afficher une lumière constante
- Cliquez à nouveau sur le verrouillage de l'interrupteur à gâchette pour quitter le mode de nettoyage continu.

Mode d'utilisation

Utilisation des différents accessoires



Brosse multi-surfaces

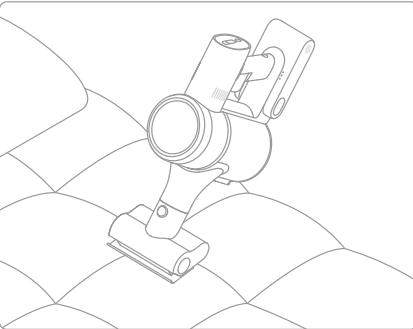
Adapte à l'aspiration des tapis d'épaisseur fine/moyenne, carreaux et sols. Pour aspirer de grosses particules en allumant le commutateur sur la brosse, comme des grains de café, des céréales, etc.

Remarque:

- La brosse multi-surfaces peut être fixée directement à l'aspirateur.
- Lorsque l'appareil démarre, les lumières devant la brosse à rouleau s'allument automatiquement, ce qui est pratique à l'utilisation.

Mini-brosse motorisée

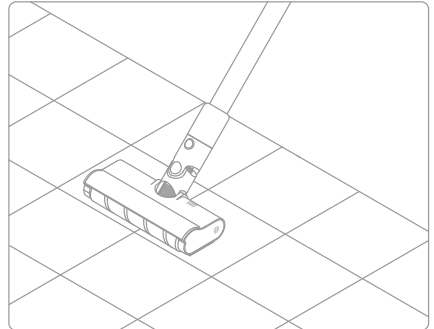
Pour l'aspiration de poussière, poils d'animaux et autres résidus tenaces sur des canapés, linges de lit et autres surfaces en tissu.



Remarque : il n'est pas recommandé de passer l'aspirateur sur les surfaces qui accrochent, comme la soie.

Brosse à rouleau souple

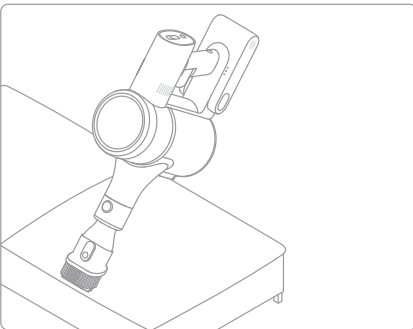
Nettoyage adapté aux sols durs tels que le marbre et le carrelage.



Remarque : La brosse à rouleau souple peut se fixer directement sur l'aspirateur.

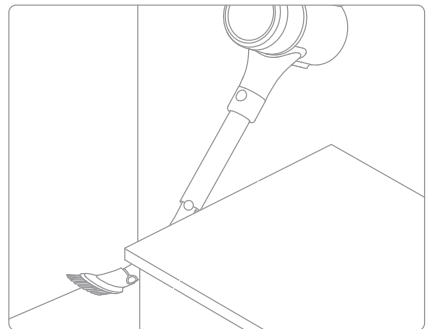
Outil à combinaison large

Pour l'aspiration de rideaux, canapés, intérieur de véhicules, tables de salon, etc.



Outil combiné flexible

Buse à brosse rétractable et pliable, plus flexible pour aspirer dans les interstices.



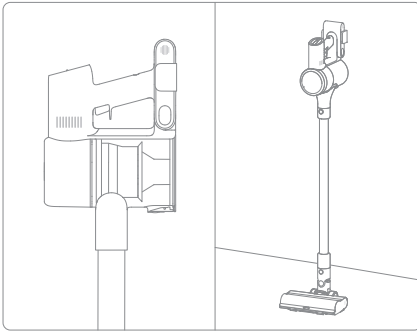
Mode d'utilisation

Montage mural

L'aspirateur peut être placé sur le support mural lorsqu'il n'est pas utilisé.

Remarque :

- Ne posez pas l'aspirateur seul sur le support mural.
- Placez-le sur le support mural après l'avoir relié à la tige d'extension et la brosse multi-surfaces.



Remarque :

- Si un pièce rotative se coince, l'aspirateur est susceptible de s'éteindre automatiquement. Retirez tout objet coincé dans l'aspirateur, puis poursuivez votre utilisation.
- Quand de la batterie surchauffe en fonctionnement, l'aspirateur s'éteint automatiquement. Attendez que la température de la batterie revienne à un niveau normal, puis poursuivez votre utilisation.

Entretien et maintenance

Précautions concernant la maintenance

- Utilisez toujours des pièces d'origine, faute de quoi la garantie pourrait être annulée.
- En cas d'obstruction du filtre ou du bec, l'aspirateur s'arrête de fonctionner peu après avoir été mis sous tension. Nettoyez le filtre ou le bec afin de rétablir son fonctionnement.
- Si vous ne prévoyez pas d'utiliser l'aspirateur pendant une période prolongée, chargez-le entièrement, débranchez-le, puis entreposez-le dans un endroit frais, à l'abri de l'humidité et de la lumière directe du soleil. Afin d'éviter une décharge excessive de la batterie, rechargez l'aspirateur au moins une fois tous les trois mois.

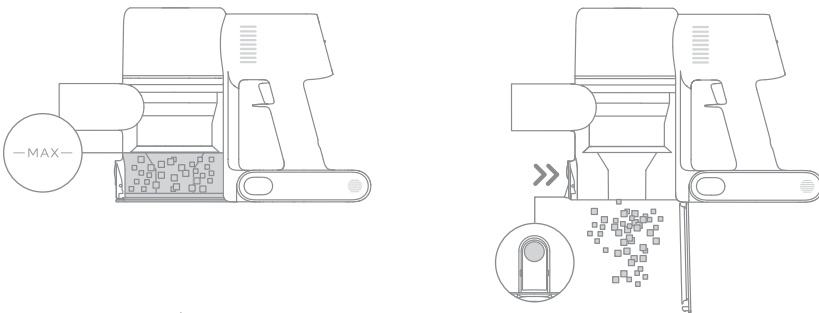
Nettoyage de l'aspirateur Vacuum Cleaner

Essuyez l'aspirateur avec un chiffon doux et sec.

Nettoyage du compartiment à poussière, du préfiltre et de l'ensemble cyclone

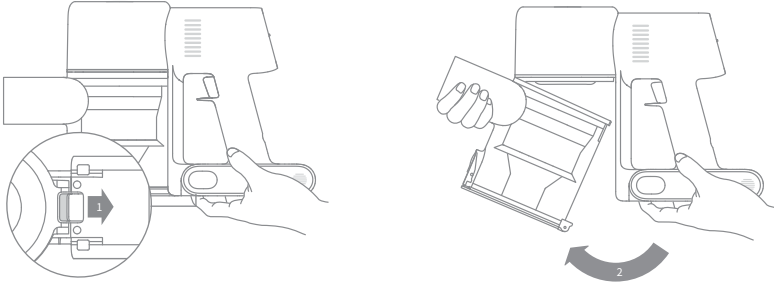
La capacité de nettoyage de l'aspirateur diminuera si le compartiment à poussière est rempli jusqu'au niveau « MAX ». Videz-le pour améliorer les performances. Avant de vider le compartiment, assurez-vous d'avoir bien débranché l'aspirateur et n'appuyez pas sur le bouton marche/arrêt.

1. Appuyez sur le bouton de déverrouillage du capot inférieur du compartiment à poussière, puis videz celui-ci.

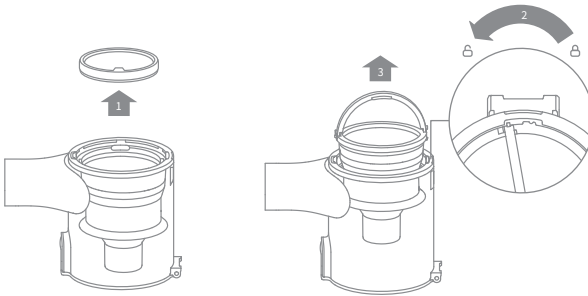


Entretien et maintenance

2. Poussez l'interrupteur de déverrouillage du compartiment à poussière dans la direction indiquée par la flèche, puis retirez délicatement le compartiment à poussière de l'aspirateur.

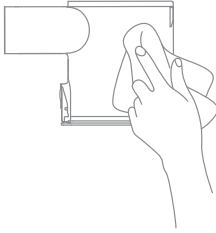


3. Retirez d'abord le préfiltre, puis levez la poignée de l'ensemble cyclone et tournez-la dans le sens inverse des aiguilles d'une montre jusqu'à ce qu'elle ne puisse plus tourner. Tirez ensuite pour soulever l'ensemble cyclone.



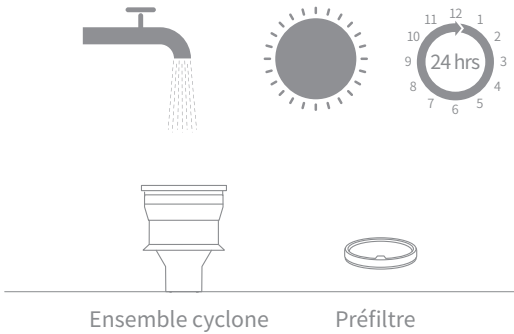
Entretien et maintenance

4. Essuyez le bac à poussière avec un chiffon humide et doux. Veillez à essorer le chiffon avant utilisation.



Pour réduire le risque de choc électrique, ne rincez pas le compartiment à poussière avec de l'eau.

5. Rincez l'ensemble du cyclone et pré-filtrez jusqu'à ce qu'ils soient propres. Après le lavage, laissez sécher à l'air pendant au moins 24 heures.



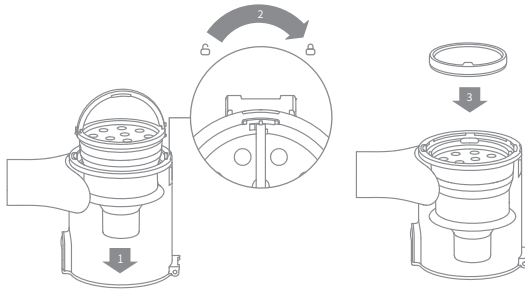
Remarque :

- Le compartiment à poussière doit être rincé au moins une fois par mois.
- Il est recommandé de nettoyer le pré-filtre, au moins, une fois tous les 3 mois et le système cyclone, au moins, une fois tous les 6 mois.

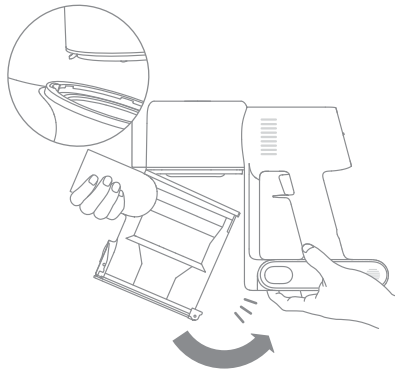
Entretien et maintenance

Installation du compartiment à poussière, du préfiltre et de l'ensemble cyclone

1. Insérez l'ensemble cyclone à la verticale dans le compartiment à poussière. Assurez-vous que la poignée de l'ensemble cyclone est alignée avec l'encoche située à gauche du compartiment à poussière. Tournez la poignée dans le sens des aiguilles d'une montre jusqu'à ce qu'elle se verrouille, puis rabattez-la.
2. Placez le préfiltre face vers le haut dans l'ensemble cyclone.



3. Inclinez légèrement le compartiment à poussière pour que son encoche soit alignée avec le clip sur l'aspirateur. Enfoncez délicatement le compartiment à poussière jusqu'à entendre un déclic.

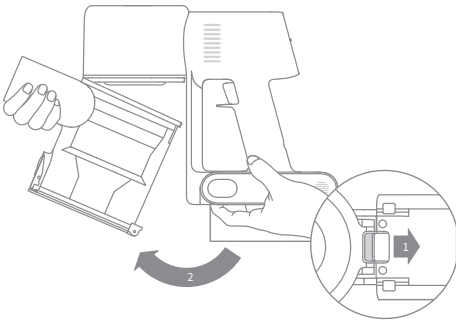


Entretien et maintenance

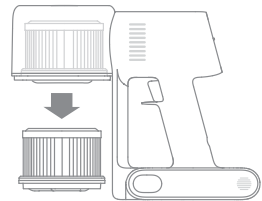
Nettoyage du filtre

Il est recommandé de nettoyer le filtre tous les 4 à 6 mois.

1. Retirez le compartiment à poussière comme illustré sur le schéma.



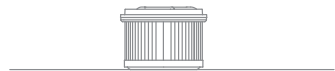
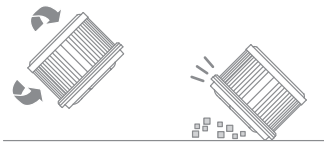
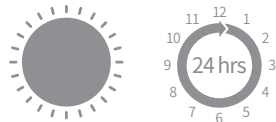
2. Retirez le filtre de l'aspirateur en tirant dessus, dans la direction indiquée sur le schéma.



3. Nettoyez le filtre avec de l'eau claire. Assurez-vous de faire pivoter le filtre à 360° afin de bien éliminer toute poussière coincée dedans. Tapotez légèrement le filtre plusieurs fois pour éliminer tout excès de poussière.



4. Laissez le filtre sécher complètement pendant au moins 24 heures.



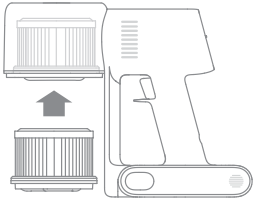
Remarque :

- Pour nettoyer le filtre, n'utilisez que de l'eau claire. N'utilisez pas de détergents.
- N'essayez pas de nettoyer le filtre avec une brosse ou vos doigts.

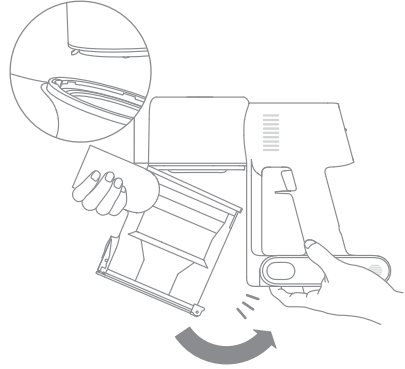
Entretien et maintenance

Installation du filtre

1. Insérez le filtre dans l'aspirateur et enfoncez-le délicatement, comme indiqué sur le schéma.



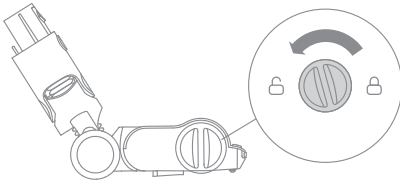
2. Réinstallez le compartiment à poussière.



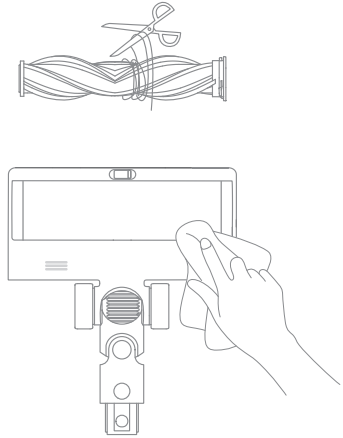
Entretien et maintenance

Nettoyage de la brosse multi-surfaces

1. Tournez le verrou dans le sens inverse des aiguilles d'une montre jusqu'à ce qu'il s'arrête, puis retirez le rouleau de la brosse à rouleau.



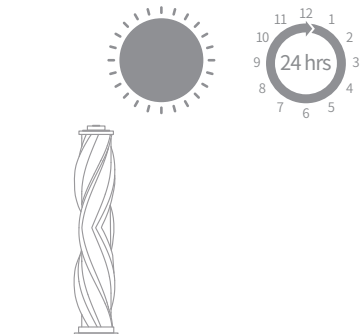
2. Utilisez des ciseaux pour couper les poils et les fibres qui restent coincés sur la brosse à rouleau. Essuyez la poussière de l'encoche et du couvercle transparent avec un chiffon sec ou une serviette en papier. Séchez-les soigneusement avant de les utiliser.



3. Lorsqu'il est sale, rincez le rouleau à l'eau claire jusqu'à ce qu'elle soit propre.

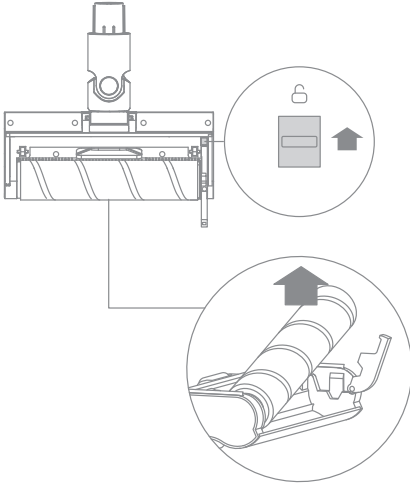


4. Mettez le rouleau en position verticale pendant au moins 24 heures jusqu'à ce qu'elle soit complètement sec.

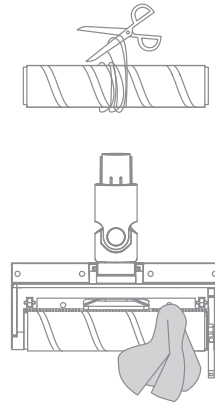


Nettoyage de la brosse à rouleau souple

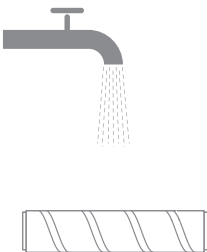
1. Comme représenté sur l'illustration, appuyez sur le bouton de déverrouillage de la brosse à rouleau pour dégager le rouleau de la fente.



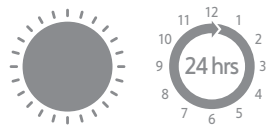
2. Utilisez des ciseaux pour couper les poils et les fibres qui restent coincés sur le rouleau. Essuyez la poussière de l'encoche et du couvercle transparent avec un chiffon sec ou une serviette en papier. Séchez-les soigneusement avant de les utiliser.



3. Lorsqu'il est sale, rincez le rouleau à l'eau claire jusqu'à ce qu'elle soit propre.



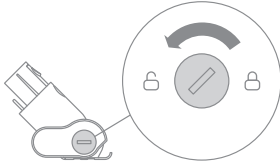
4. Mettez le rouleau en position verticale pendant au moins 24 heures jusqu'à ce qu'elle soit complètement sec.



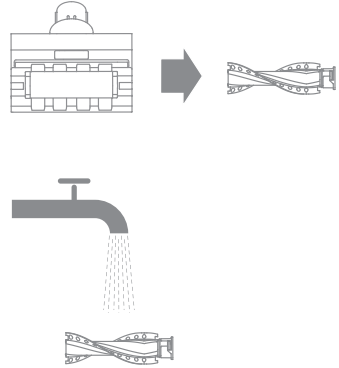
Entretien et maintenance

Nettoyage de la mini-brosse motorisée

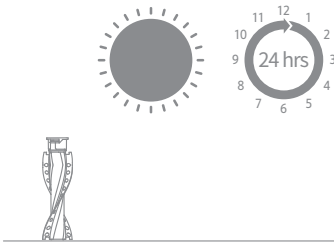
1. Utilisez une pièce de monnaie pour faire tourner le verrou dans le sens inverse des aiguilles d'une montre jusqu'à entendre un déclic.



2. Après avoir déverrouillé la mini-brosse motorisée, retirez le rouleau, puis rincez-la et nettoyez-la.



3. Placez le rouleau en position verticale dans un endroit bien ventilé pendant au moins 24 heures, jusqu'à ce qu'elle soit complètement sèche.



4. Une fois que le rouleau est sèche, réinstallez-la en suivant les étapes de démontage en sens inverse.

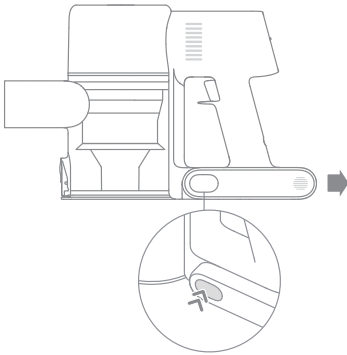


Entretien et maintenance

Batterie

L'aspirateur contient une batterie lithium-ion rechargeable disposant d'un nombre limité de cycles de charge. Après un usage prolongé, la batterie est susceptible de se décharger rapidement. Si c'est le cas, cela signifie que la batterie est arrivée au bout de sa durée de vie et doit être remplacée.

1. Appuyez sur le bouton de déverrouillage de la batterie et faites-la glisser vers la droite pour la retirer, comme illustré sur le schéma.
2. Installez la nouvelle batterie.



Caractéristiques

Aspirateur			
Modèle :	VTV41B		
Tension de charge	30 V ---	Tension nominale	25,2 V ---
Puissance nominale	425 W	Temps de Charge	environ 4 heures
Mini-brosse motorisée			
Modèle	VMM4		
Puissance nominale	20 W	Tension nominale	25,2 V ---
Brosse multi-surfaces			
Modèle	VMB3		
Puissance nominale	40 W	Tension nominale	25,2 V ---
Brosse à rouleau souple			
Modèle	ASF4		
Puissance nominale	40 W	Tension nominale	25,2 V ---
Chargeur			
Modèle	YLS0251B-E300080		
Entrée	100-240 V \sim 50/60 Hz 0,8 A max	Sortie	30 V --- 0,8 A
Efficacité active moyenne	88,53%	Efficacité à faible charge (10%)	78,66%
Consommation d'énergie sans charge		0,09 W	
Batterie rechargeable lithium-ion			
Modèle	V2213-7S1P-BCA		
Tension nominale	25,2 V ---	Capacité nominale	3000 mAh
Capacité de fonctionnement	2800 mAh	Énergie	70,56 Wh

En cas de dysfonctionnement de l'aspirateur, consultez le tableau ci-dessous.

Erreur	Cause possible	Solution
L'aspirateur ne fonctionne pas.	La batterie est déchargée ou faible.	Rechargez complètement l'aspirateur avant de reprendre votre utilisation.
	Le mode de protection contre la surchauffe se déclenche suite à une obstruction.	Attendez que l'aspirateur refroidisse, puis réactivez-le.
	L'orifice d'aspiration ou le conduit d'air est obstrué.	Retirez les débris susceptibles de bloquer l'orifice d'aspiration ou le conduit d'air.
La puissance d'aspiration est affaiblie.	Le compartiment à poussière est rempli et/ou le filtre est obstrué.	Videz le compartiment à poussière et nettoyez l'ensemble filtre .
	L'accessoire est obstrué.	Retirez les débris susceptibles d'obstruer l'accessoire.
Le moteur fait un bruit anormal.	L'orifice d'aspiration principal ou la tige de rallonge est obstrué(e).	Retirez les débris susceptibles de bloquer le suceur principal ou la tige de rallonge.
Le premier voyant est rouge après avoir allumé l'aspirateur.	La batterie est endommagée.	Contactez le service après-vente pour assurer la maintenance.
Le premier voyant clignote en rouge quand l'aspirateur est en charge.	Le chargeur n'est pas compatible.	Utilisez uniquement le chargeur d'origine pour recharger l'aspirateur.

Erreur	Cause possible	Solution
Le voyant de batterie ne s'allume pas lorsque l'aspirateur est en charge.	Le chargeur n'est pas connecté à l'aspirateur.	Assurez-vous que le chargeur est branché correctement.
	La batterie est complètement chargée et l'appareil est passé en mode veille.	L'aspirateur peut être utilisé normalement.
	Si le problème persiste après avoir écarté les deux possibilités ci-dessus.	Contactez le service après-vente qui vous aidera.
La batterie charge lentement.	La température de la batterie est trop basse ou trop élevée.	Attendez que la température de la batterie revienne à un niveau normal, puis reprenez votre session de nettoyage.
Les lumières LED de la brosse pour multi-surfaces ne fonctionnent pas.	Les lumières LED sont endommagées.	Contactez le service après-vente qui vous aidera.

La batterie lithium-ion contient des substances dangereuses pour l'environnement. Avant de mettre l'aspirateur au rebut, retirez d'abord la batterie pour la jeter ou la recycler conformément à la législation et à la réglementation locales du pays ou de la région dans lequel ou laquelle il est utilisé.

Informations DEEE



Tous les produits portant ce symbole deviennent des déchets d'équipements électriques et électroniques (DEEE dans la Directive européenne 2012/19/UE) qui ne doivent pas être mélangés aux déchets ménagers non triés. Vous devez contribuer à la protection de l'environnement et de la santé humaine en apportant l'équipement usagé à un point de collecte dédié au recyclage des équipements électriques et électroniques, agréé par le gouvernement ou les autorités locales. Le recyclage et la destruction appropriés permettront d'éviter tout impact potentiellement négatif sur l'environnement et la santé humaine. Contactez l'installateur ou les autorités locales pour obtenir plus d'informations concernant l'emplacement ainsi que les conditions d'utilisation de ce type de point de collecte.



Points de collecte sur www.quefairedemesdechets.fr
Privilégiez la réparation ou le don de votre appareil !

Importanti istruzioni disicurezza

Per evitare scosse elettriche, incendi e altre lesioni accidentali causate da un uso improprio, leggere attentamente questo manuale di istruzioni prima dell'uso.

Avvertenze

- Questo dispositivo non può essere utilizzato da persone con disabilità fisiche, sensoriali o intellettuali e da persone senza esperienza e conoscenza pertinenti, compresi i bambini, a meno che non vi sia supervisione o guida di un tutore per garantirne l'utilizzo sicuro.
- Ai bambini è vietato utilizzare o giocare con il dispositivo. Quando si utilizza il prodotto vicino a un bambino, è necessario prestare particolare attenzione; al bambino è vietato provvedere alla pulizia o alla manutenzione del dispositivo senza un tutore.
- Non utilizzare su superfici esterne o bagnate. Utilizzare solo su superfici interne asciutte. Non toccare la spina o qualsiasi parte del dispositivo con le mani bagnate.
- Verificare che la batteria al litio e il caricabatterie non siano danneggiati prima dell'uso. Per prevenire incendi, esplosioni o lesioni, non utilizzare l'aspirapolvere quando la batteria al litio o il caricabatterie sono danneggiati.
- La spazzola multi superficie, la spazzola a rullo morbida, la mini spazzola motorizzata, la batteria, il connettore metallico e l'aspiratore sono elettricamente conduttivi e non devono essere immersi in acqua o altri liquidi. Assicurarsi di asciugare tutti i filtri dopo la pulizia.
- Evitare le lesioni causate da parti in movimento. Spegnerne l'aspirapolvere prima di pulire la spazzola multi superficie e la spazzola a rullo morbida. La spazzola multi-superficie, la spazzola a rullo morbida, il vano della polvere e il filtro devono essere installati correttamente prima di utilizzare l'aspirapolvere.
- Utilizzare solo il caricabatterie originale, non utilizzare un adattatore non ufficiale, poiché ciò potrebbe provocare l'incendio della batteria al litio.
- Non utilizzare questa apparecchiatura per acqua, benzina e altri liquidi infiammabili o esplosivi, non inalare soluzioni tossiche come candeggina al cloro, ammoniacca, detersivi per fognature o altri liquidi.
- È vietato utilizzare questo aspirapolvere per pulire la polvere di cartongesso, la brace del camino e la cenere e astenersi dall'inalare il fumo o bruciare materiali come carbone, mozziconi di sigaretta o fiammiferi. È vietato utilizzare l'aspirapolvere per pulire oggetti appuntiti come vetro, chiodi, viti, monete, altrimenti danneggerà l'aspirapolvere.
- Non utilizzare l'aspirapolvere per raccogliere oggetti duri o taglienti, come vetro, unghie, viti o monete, che potrebbero danneggiarlo.
- Tenere capelli, indumenti larghi, dita e altre parti del corpo lontano dalle aperture e dalle parti mobili dell'aspirapolvere. Non puntare l'asta di prolunga, la bacchetta o gli strumenti verso gli occhi o le orecchie e non metterli in bocca.
- Non posizionare oggetti sul bocchaglio. È vietato bloccare la bocca di aspirazione quando si utilizza l'aspirapolvere. Polvere, cotone idrofilo, capelli o altri oggetti possono indebolire il flusso d'aria. Pulirlo per tempo.

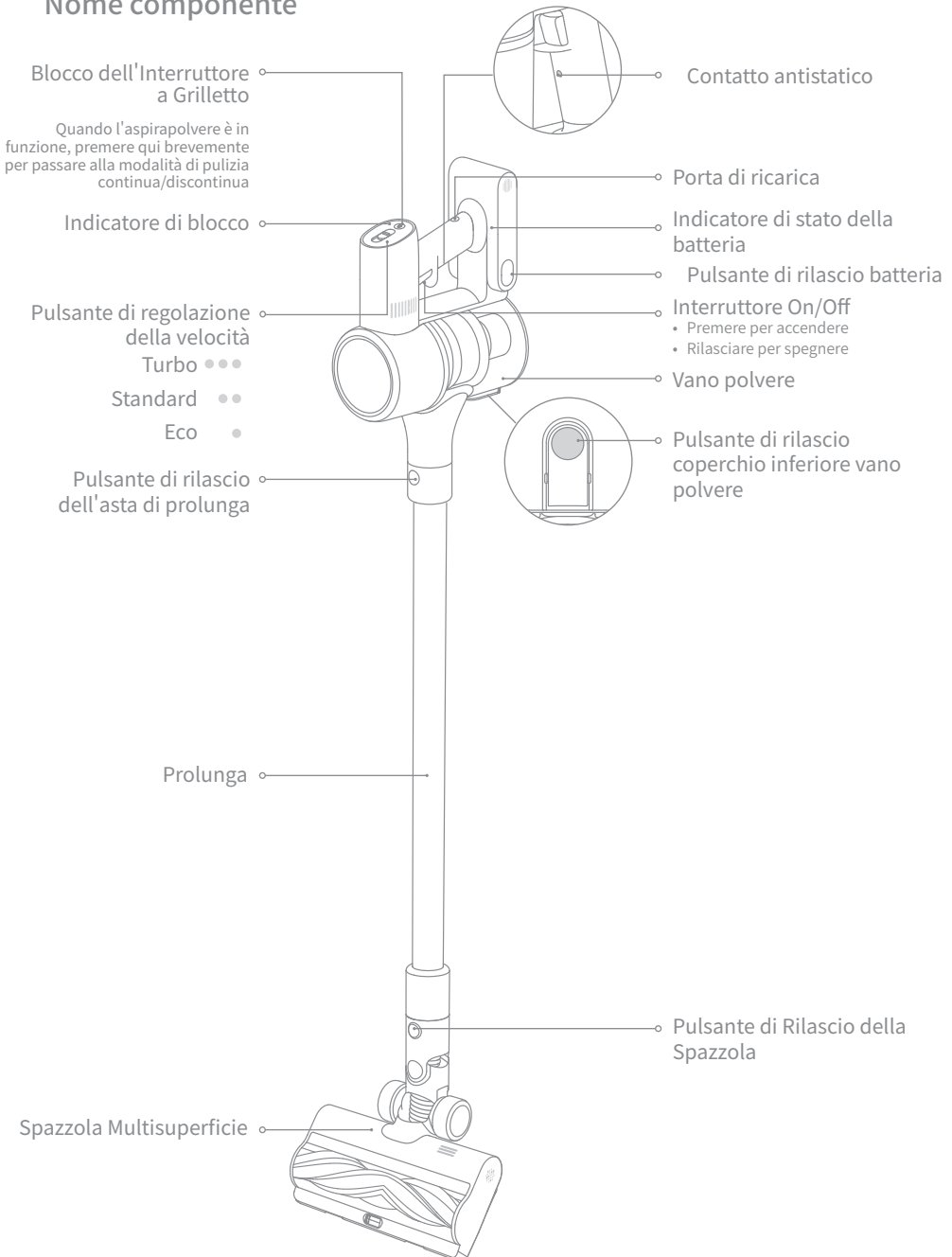
- Non posizionare l'aspirapolvere sulla sedia, sul tavolo da pranzo e su altre superfici instabili per evitare danni all'aspirapolvere o danni all'utente. Quando l'aspirapolvere è rotto, danneggiato o funziona in modo anomalo, contattare il Servizio di Assistenza ufficiale autorizzata per lo smaltimento.
- Caricare la batteria rispettando scrupolosamente le istruzioni contenute nel manuale. Se non viene caricata correttamente entro l'intervallo di temperatura specificato, la batteria potrebbe danneggiarsi.
- Usa solo accessori e parti di ricambio consigliati dal produttore.
- Scollegare l'unità per lunghi periodi di tempo e prima della manutenzione o della riparazione.
- Prestare particolare attenzione quando si utilizza la pulizia del prodotto.
- Non installare, caricare o utilizzare il dispositivo all'aperto, in bagno o in piscina.
- Avviso di pericolo di incendio, non applicare alcun prodotto aromatico al filtro di questo prodotto, poiché i prodotti chimici in tali prodotti sono infiammabili e causano l'incendio del prodotto.
- Utilizzare esclusivamente il caricabatterie originale (modello YLS0251B-E300080). In caso contrario, la batteria agli ioni di litio potrebbe prendere fuoco.
- Utilizzare esclusivamente il tipo di batteria approvato (modello V2213-7S1P-BCA). In caso contrario, la batteria agli ioni di litio potrebbe prendere fuoco.
- Se si verifica una fuoriuscita del materiale delle batterie, evacuare il personale dall'area fino a quando le batterie non si sono raffreddate e i fumi dispersi.
- Assicurare la massima ventilazione per eliminare i gas nocivi ed evitare il contatto con la pelle e gli occhi o l'inalazione dei vapori.
- Rimuovere il liquido fuoriuscito con materiale assorbente e incenerire i rifiuti.
- Non utilizzare o conservare il prodotto in ambiente estremamente caldo o freddo (inferiore a 0°C / 32°F o superiore a 40°C / 104°F). Utilizzare l'adattatore di alimentazione originale per la ricarica a temperatura tra 0°C e 40°C .
- Il prodotto è progettato esclusivamente per uso domestico.

Con la presente, Dreame Trading (Tianjin) Co., Ltd. dichiara che questo apparecchio è conforme alle direttive applicabili e alle norme europee, nonché ai relativi emendamenti. Il testo completo della dichiarazione di conformità UE è disponibile al seguente indirizzo Internet: <https://global.dreametech.com>

Per un manuale elettronico dettagliato, per favore visita <https://global.dreametech.com/pages/user-manuals-and-faqs>.

Panoramica del prodotto

Nome componente

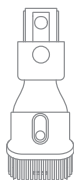


Panoramica del prodotto

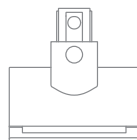
Elenco accessori



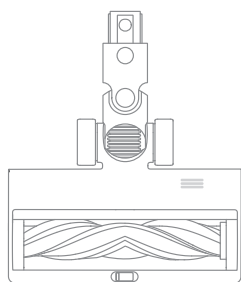
Asta di prolunga



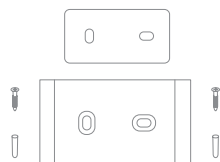
Strumento di
Combinazione Ampia



Minispazzola Motorizzata



Spazzola Multisuperficie



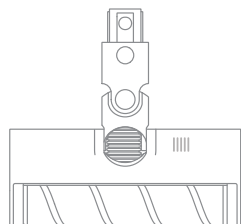
Supporto a Parete
(Inclusi vite × 2, tassello ×
2 e adesivo del modello di
montaggio)



Strumento di
Combinazione Flessibile



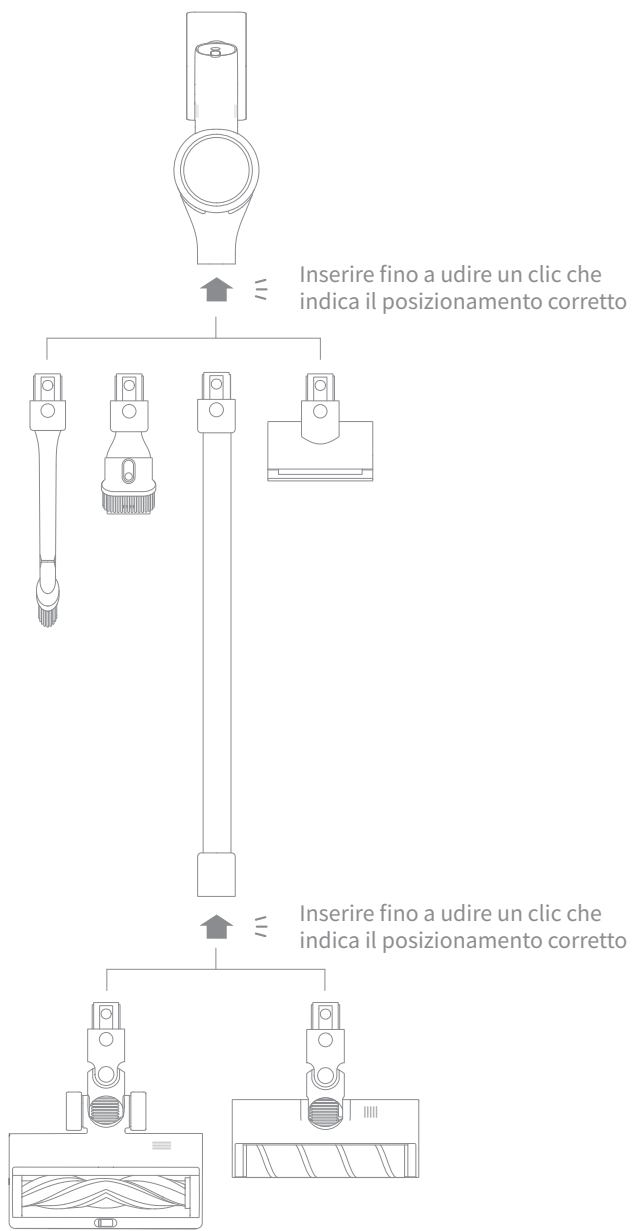
Caricabatterie



Spazzola a rullo
morbida

Promemoria: La specifica è solo di riferimento, il reale aspetto si basa sull'oggetto.

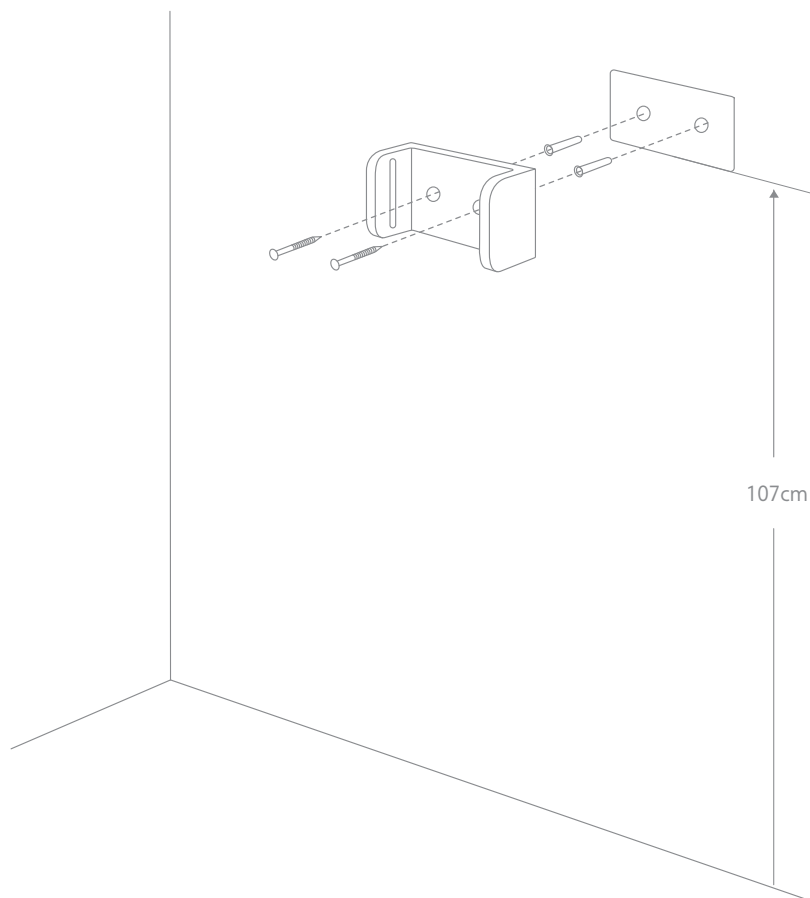
IT Installazione



Installazione

Schema di Installazione per Supporto a Parete

1. Incolla l'adesivo del modello di montaggio sulla parete. Il bordo inferiore dell'adesivo del modello di montaggio deve essere parallelo e a circa 107 cm da terra.
2. Utilizzare un trapano elettrico con una punta da 8 mm per praticare un foro su ciascun marcatore di foro sull'adesivo del modello di montaggio, quindi inserire un tassello in ciascun foro.
3. Allinea i fori sul supporto con i fori sulla parete. Fissalo al muro con le viti incluse.



Nota:

- Il supporto a parete è un accessorio opzionale. Puoi installarlo in base alle tue esigenze.
- Il supporto a parete deve essere installato su una superficie fresca e asciutta con una presa elettrica nelle vicinanze. Prima dell'installazione, assicurati che non ci siano cavi elettrici o tubi nello spazio direttamente dietro la posizione di installazione.

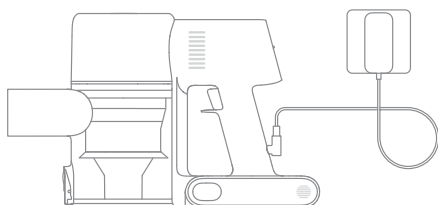
Ricarica

Caricare completamente l'aspirapolvere prima di utilizzarlo per la prima volta.

Nota: L'operazione richiede circa 4 ore. L'aspirazione in modalità turbo per un periodo prolungato determina il riscaldamento della batteria, con conseguente aumento del tempo di ricarica. Lasciare raffreddare l'aspirapolvere per 30 minuti prima di caricarlo.

Modalità di ricarica

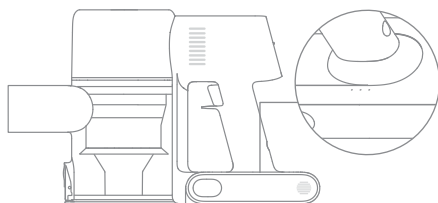
Ricarica dell'aspirapolvere con il caricabatterie



Indicatore di stato della batteria

- ● ☼ Batteria scarica
- ☼ ○ Batteria a metà
- ☼ ○ ○ Quasi carica
- ○ ○ Ricarica completata

- Spento
- ☼ Intermittente
- Acceso



Nota: Quando l'aspirapolvere è completamente carico, l'indicatore si spegne dopo 5 minuti e viene attivata la modalità di risparmio energetico.

Modalità d'utilizzo

Modalità Pulizia


Ci sono due modalità di lavoro per l'aspirapolvere, che possono essere selezionate a secondo delle proprie esigenze.

Modalità 1: Modalità Pulizia Discontinua

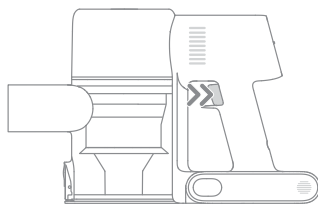
Tenere premuto il tasto dell'aspirapolvere per avviare il lavoro, e rilasciarlo per arrestarlo immediatamente.



Modalità 2: Modalità Pulizia Continua (Blocco dell'Interruttore a Grilletto)

Quando l'aspirapolvere è in funzione, fare clic sul tasto  per passare alla modalità di lavoro continuo. A questo punto, rilasciare l'interruttore del dispositivo e continuerà a funzionare.

Usare il Blocco dell'Interruttore a Grilletto per non usare troppo le tue dita ed evitare un affaticamento causato tenendo premuto l'interruttore.

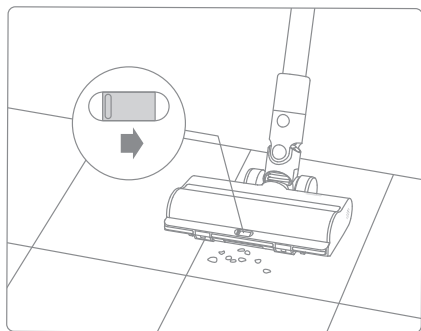


Nota:

- Durante il funzionamento in modalità di lavoro continuo, l'indicatore di blocco è sempre acceso.
- Premere il Blocco dell'Interruttore a Grilletto nuovamente per abbandonare la Modalità Pulizia Continua.

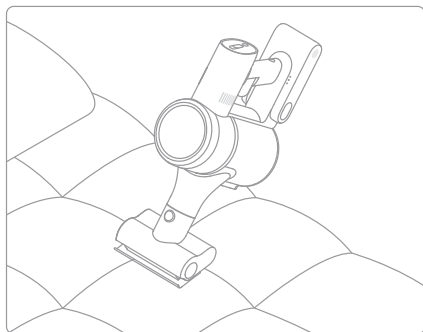
Modalità d'utilizzo

Uso degli accessori



Minispazzola Motorizzata

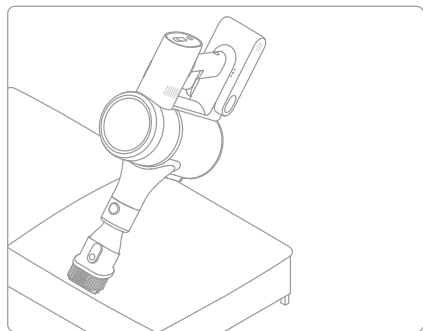
Per aspirare sporco, peli di animali domestici e altri residui ostinati da divani, biancheria da letto e altre superfici in tessuto.



Nota: Si raccomanda di non aspirare superfici facilmente impigliabili, come la seta.

Strumento di Combinazione Ampia

Per aspirare tende, divani, interni di veicoli, tavolini da caffè e così via.



Spazzola Multisuperficie

Adatto per la pulizia di tappeti a pelo medio e corto. Può essere utilizzato anche per la pulizia di piastrelle e pavimenti.

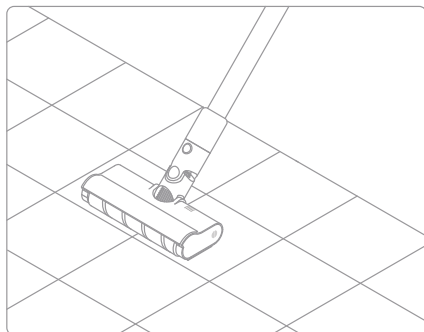
Per aspirare particelle di grandi dimensioni attivando l'interruttore sulla spazzola, come chicchi di caffè, corn flakes e così via.

Nota:

- La spazzola multisuperficie può essere collegata direttamente all'aspirapolvere.
- Quando l'apparecchio si avvia, le luci davanti al rullo della spazzola si accenderanno automaticamente, che è comodo per l'uso.

Spazzola a rullo morbida

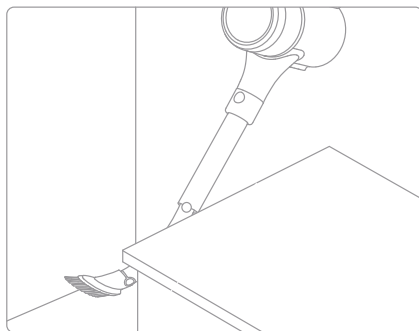
Adatta per la pulizia di pavimenti duri, come marmi e piastrelle.



Nota: La spazzola a rullo morbida può essere attaccata direttamente all'aspirapolvere.

Strumento di Combinazione Flessibile

Spazzola-ugello pieghevole e retrattile, più flessibile per aspirare in spazi ristretti.



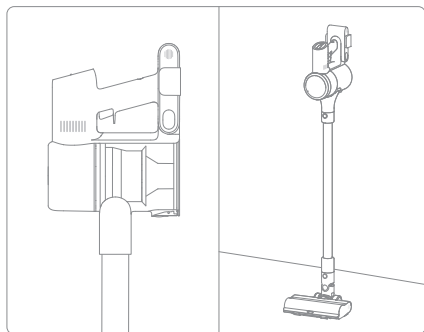
Modalità d'utilizzo

Supporto a Parete

L'aspirapolvere può essere posizionato sul supporto a parete quando non è in uso.

Nota:

- Non posizionare l'aspirapolvere da solo sul supporto a parete.
- Posizionalo sul supporto a parete dopo averlo collegato con l'asta di prolunga e la spazzola multisuperficie.



Nota:

- Se una delle parti rotanti si blocca, l'aspirapolvere potrebbe spegnersi automaticamente. Eliminare eventuali corpi estranei intrappolati, quindi riprendere l'uso.
- Quando il batteria si surriscalda, l'aspirapolvere si spegne automaticamente. Attendere che la temperatura della batteria torni alla normalità, quindi riprendere l'utilizzo.

Cura e manutenzione

Precauzioni di manutenzione

- Utilizzare sempre parti originali per evitare che la garanzia decada.
- Se il filtro o l'ugello si intasa, l'aspiratore smette di funzionare poco dopo l'accensione. Per ripristinare il normale funzionamento, pulire il filtro o l'ugello.
- Se l'aspirapolvere non viene utilizzato per un lungo periodo, ricaricarlo completamente, scollegarlo dalla presa di corrente, quindi conservarlo in un ambiente fresco e a bassa umidità, lontano dalla luce diretta del sole. Per evitare di scaricare eccessivamente la batteria, ricaricare l'aspirapolvere almeno una volta ogni tre mesi.

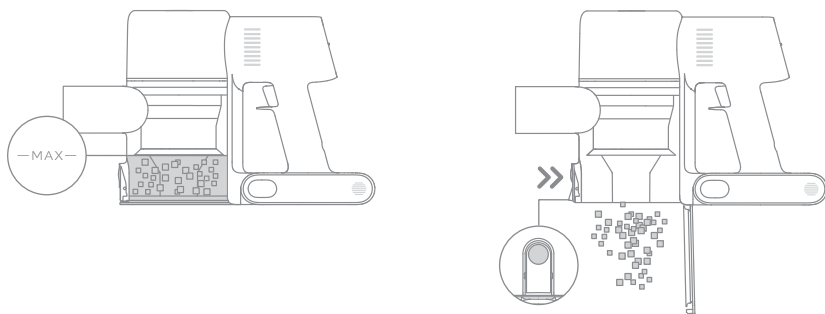
Pulizia dell'aspirapolvere

Pulire l'aspirapolvere con un panno morbido e asciutto.

Pulizia del vano polvere, del pre-filtro e del sistema ciclonico

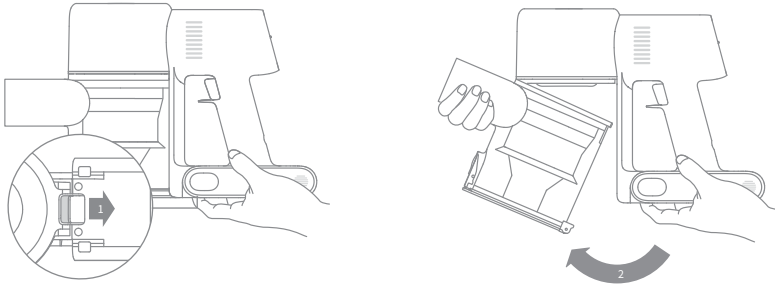
La capacità di pulizia dell'aspirapolvere si riduce se il vano polvere si riempie fino al segno "MAX". Per ripristinare le prestazioni, svuotare il vano polvere tempestivamente. Prima di svuotare il vano, assicurarsi che l'aspirapolvere sia disconnesso dalla presa di corrente e non premere il pulsante di accensione.

1. Premere il pulsante di rilascio del coperchio inferiore del vano polvere, quindi svuotare il contenuto.

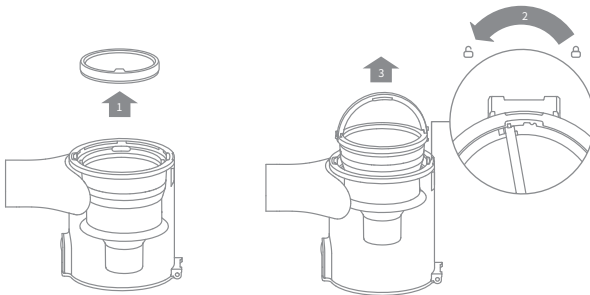


Cura e manutenzione

2. Spingere l'interruttore di rilascio del vano polvere nella direzione indicata dalla freccia, quindi rimuovere delicatamente il vano polvere dall'aspirapolvere.

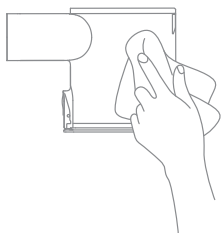


3. Rimuovere prima il pre-filtro, quindi sollevare l'impugnatura del sistema ciclonico e ruotarla in senso antiorario fino all'arresto, quindi tirare per sollevare il sistema ciclonico.



Cura e manutenzione

4. Pulisci il contenitore della polvere con un panno morbido e umido. Presta attenzione a strizzare il panno prima dell'uso.



Per ridurre il rischio di scosse elettriche, non sciacquare il raccogli-polvere con acqua.

5. Sciacquare il prefiltra e i componenti del sistema a ciclone con acqua pulita finché non sono puliti. Dopo il lavaggio, asciugarli all'aria per almeno 24 ore.



Sistema ciclonico

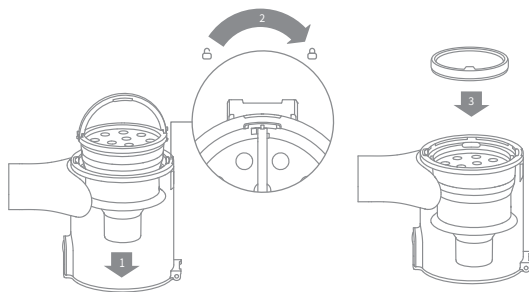
Pre-filtro

Nota:

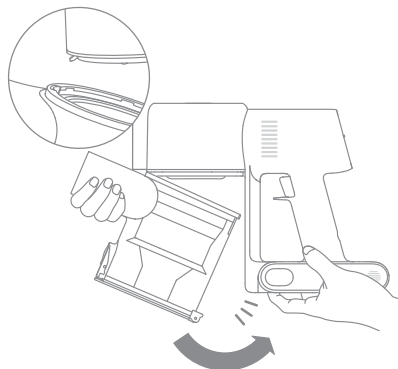
- Il vano polvere deve essere risciacquato almeno una volta al mese.
- Si consiglia di pulire il prefiltra almeno una volta ogni 3 mesi e il sistema ciclonico almeno una volta ogni 6 mesi.

Installazione del vano polvere, del pre-filtro e del sistema ciclonico

1. Inserire il sistema ciclonico verticalmente nel vano polvere assicurandosi che l'impugnatura del sistema ciclonico sia allineata alla fessura sul lato sinistro del vano polvere. Ruotare l'impugnatura in senso orario finché non si blocca, quindi tirarla verso il basso.
2. Posizionare il pre-filtro con il lato anteriore rivolto verso il sistema ciclonico.



3. Inclinare leggermente il vano polvere in modo che il relativo alloggiamento risulti allineato al fermo dell'aspirapolvere. Quindi premere delicatamente il vano polvere finché non scatta in posizione.

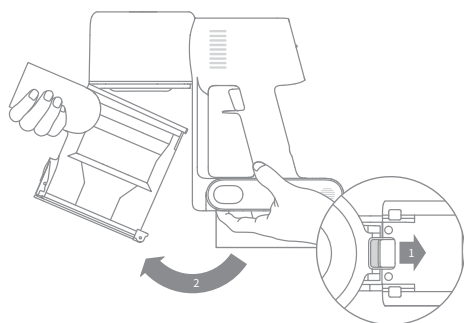


Cura e manutenzione

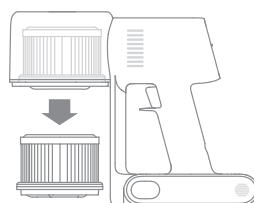
Pulizia del filtro

Si consiglia di pulire il filtro una volta ogni 4-6 mesi.

1. Rimuovere il vano polvere come mostrato nella figura.



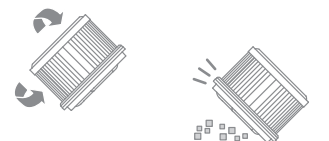
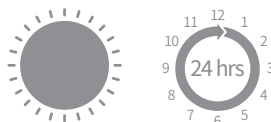
2. Rimuovere il filtro dall'aspirapolvere tirandolo verso il basso nella direzione mostrata nella figura.



3. Pulire il filtro con acqua pulita. Assicurarsi di ruotare il filtro di 360° per rimuovere accuratamente tutta la polvere intrappolata nel filtro. Picchiettare leggermente il filtro più volte per rimuovere lo sporco in eccesso.



4. Lasciare asciugare completamente il filtro per almeno 24 ore.

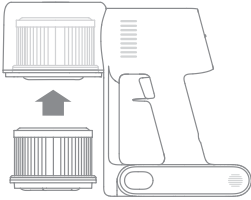


Nota:

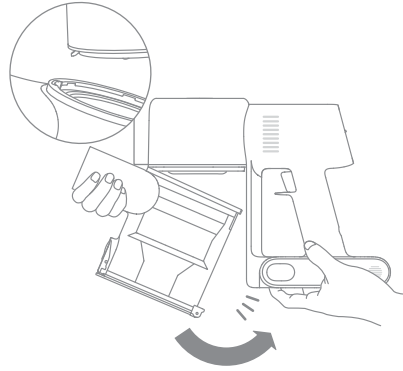
- Per pulire il filtro, utilizzare esclusivamente acqua pulita. Non utilizzare detersivi.
- Non tentare di pulire il filtro con una spazzola o con le dita.

Installazione del filtro

1. Inserire il filtro nell'aspirapolvere, quindi premere delicatamente verso il basso, come illustrato.



2. Reinstallare il vano polvere.

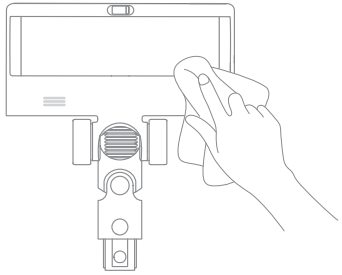
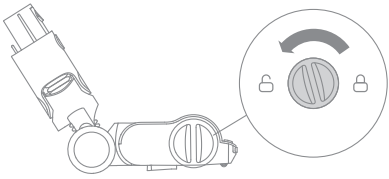


Cura e manutenzione

Pulizia della Spazzola Multisuperficie

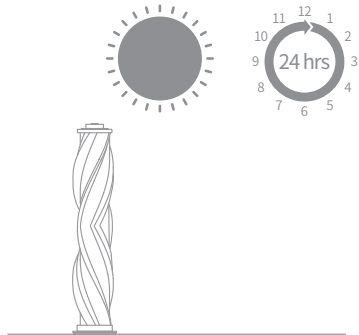
1. Ruota il blocco in senso antiorario fino all'arresto, quindi rimuovi il rullo dalla spazzola a rullo.

2. Usa le forbici per tagliare i capelli e le fibre che rimangono bloccati sul rullo della spazzola. Pulisci la polvere dalla tacca e dal coperchio trasparente con un panno asciutto o un tovagliolo di carta. Asciuga accuratamente prima dell'uso.



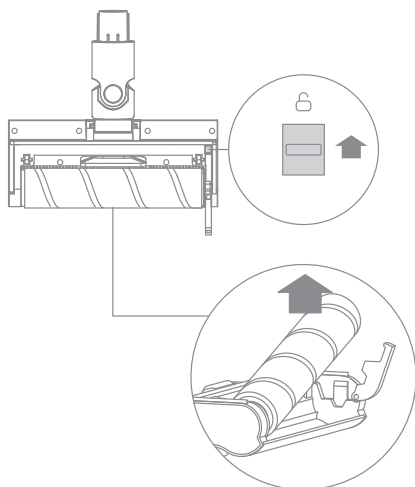
3. Quando è sporco, sciacqua il rullo della spazzola con acqua pulita finché non è pulito.

4. Tieni il rullo della spazzola in posizione verticale per almeno 24 ore finché non è completamente asciutto.

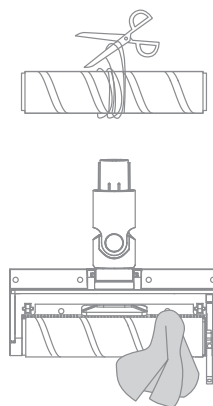


Pulizia della Spazzola a rullo morbida

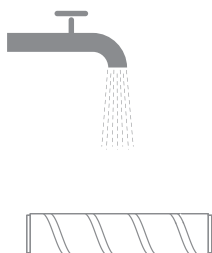
1. Come mostrato nell'immagine, premere il pulsante di rilascio della spazzola a rullo per rimuovere il rullo dal suo slot.



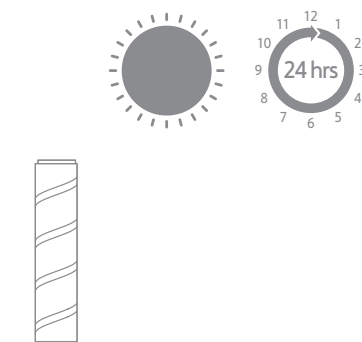
2. Usa le forbici per tagliare i capelli e le fibre che rimangono bloccati sul rullo della spazzola. Pulisci la polvere dalla tacca e dal coperchio trasparente con un panno asciutto o un tovagliolo di carta. Asciuga accuratamente prima dell'uso.



3. Quando è sporco, sciacqua il rullo della spazzola con acqua pulita finché non è pulito.



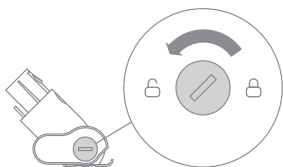
4. Tieni il rullo della spazzola in posizione verticale per almeno 24 ore finché non è completamente asciutto.



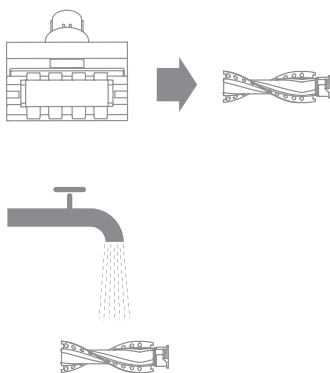
Cura e manutenzione

Pulizia della mini spazzola elettrica

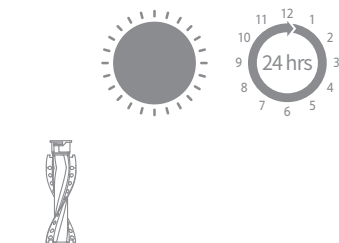
1. Usare una monetina per ruotare il blocco in senso antiorario finché non si sente un clic.



2. Dopo aver sbloccato la minispazzola motorizzata, rimuovi il rullo della spazzola, quindi risciacqualo e puliscilo.



3. Tieni il rullo della spazzola in posizione verticale in un'area ben ventilata per almeno 24 ore fino a quando non è completamente asciutto.



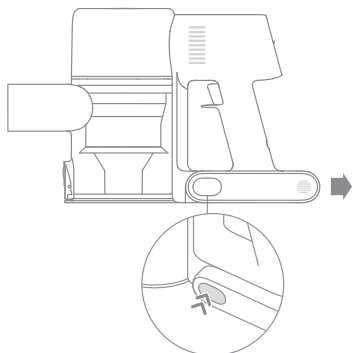
4. Una volta che il rullo della spazzola è asciutto, reinstallalo seguendo i passi di smontaggio al contrario.



Batteria

L'aspirapolvere contiene una batteria ricaricabile agli ioni di litio rimovibile che dispone di un numero limitato di cicli di ricarica. Dopo un uso prolungato, la batteria potrebbe non mantenere più la carica. Se ciò si verifica, la batteria ha raggiunto la fine del ciclo di vita e deve essere sostituita.

1. Premere il pulsante di rilascio della batteria e farla scorrere verso destra per rimuoverla.
2. Installare la nuova batteria.



Specifiche tecniche

Aspirapolvere			
Modello	VTV41B		
Tensione di ricarica	30 V ---	Tensione stimata	25,2 V ---
Potenza stimata	425 W	Tempo di ricarica	circa 4 ore
Minispazzola Motorizzata			
Modello	VMM4		
Potenza stimata	20 W	Tensione stimata	25,2 V ---
Spazzola Multisuperficie			
Modello	VMB3		
Potenza stimata	40 W	Tensione stimata	25,2 V ---
Spazzola a rullo morbida			
Modello	ASF4		
Potenza stimata	40 W	Tensione stimata	25,2 V ---
Caricabatterie			
Modello	YLS0251B-E300080		
Ingresso	100-240 V \sim 50/60 Hz 0,8 A max	Uscita	30 V --- 0,8 A
Efficienza attiva media	88,53%	Efficienza a Basso Carico (10%)	78,66%
Consumo di Energia senza Carico	0,09 W		
Batteria agli ioni di litio ricaricabile			
Modello	V2213-7S1P-BCA		
Tensione nominale	25,2V ---	Capacità nominale	3000 mAh
Capacità stimata	2800 mAh	Energia	70,56 Wh

Domande Frequenti

Se l'aspirapolvere non funziona correttamente, fare riferimento alla tabella di risoluzione dei problemi riportata di seguito.

Errore	Possibile causa	Soluzione
L'aspirapolvere non funziona.	La batteria è completamente o quasi scarica.	Caricare completamente l'aspirapolvere, quindi riprendere l'uso.
	Entra in modalità di protezione da surriscaldamento attivata da un'ostruzione.	Attendere che l'aspirapolvere si raffreddi, quindi riattivarlo.
	La bocchetta di aspirazione o il passaggio dell'aria è ostruito.	Rimuovere le ostruzioni dalla bocchetta di aspirazione o dal passaggio dell'aria.
La potenza di aspirazione è diminuita.	Il vano polvere è pieno e/o il filtro è intasato.	Svuotare lo scomparto raccogli polvere e pulire il filtro.
	L'accessorio è ostruito.	Eliminare eventuali ostruzioni nell'accessorio.
Il motore emette un rumore strano.	La bocchetta di aspirazione principale o l'asta di prolunga è ostruita.	Rimuovere le ostruzioni dalla bocchetta di aspirazione principale o dall'asta di prolunga.
La prima spia è rossa dopo l'accensione dell'aspirapolvere.	La batteria è danneggiata.	Contattare il servizio di assistenza post-vendita per la manutenzione.
La prima spia lampeggia in rosso durante la ricarica dell'aspirapolvere.	Il caricabatterie non è compatibile.	Per ricaricare l'aspirapolvere, utilizzare esclusivamente il caricabatterie originale.

Domande Frequenti

Errore	Possibile causa	Soluzione
La spia della batteria non si accende durante la ricarica.	Il caricabatterie non è collegato all'aspirapolvere.	Assicurarsi che il caricabatterie sia collegato correttamente.
	La batteria è completamente carica e si è avviata la modalità di risparmio energia.	È possibile utilizzare l'aspirapolvere normalmente.
	Se il problema persiste anche dopo aver escluso le due ipotesi indicate in precedenza.	Contattare il servizio post-vendita per ottenere assistenza.
La batteria si ricarica lentamente.	La temperatura della batteria è troppo bassa o troppo alta.	Attendere che la temperatura della batteria torni alla normalità, quindi riprendere l'utilizzo.
Le luci a LED della spazzola multisuperficie non funzionano.	Le luci a LED sono danneggiate.	Contattare il servizio post-vendita per ottenere assistenza.

La batteria agli ioni di litio contiene sostanze pericolose per l'ambiente. Prima di gettare via l'aspirapolvere, rimuovere la batteria, quindi smaltirlo o riciclarlo in conformità alle leggi e alle normative locali del Paese o dell'area in cui viene utilizzato.

Informazioni RAEE



Tutti i prodotti contrassegnati da questo simbolo sono rifiuti di apparecchiature elettriche ed elettroniche (RAEE in base alla direttiva 2012/19/UE) che non devono essere smaltiti assieme a rifiuti domestici non differenziati. Al contrario, è necessario proteggere l'ambiente e la salute umana consegnando i rifiuti a un punto di raccolta autorizzato al riciclaggio di rifiuti di apparecchiature elettriche ed elettroniche, predisposto dalla pubblica amministrazione o dalle autorità locali. Lo smaltimento e il riciclaggio corretti aiutano a prevenire conseguenze potenzialmente negative all'ambiente e alla salute umana. Contattare l'installatore o le autorità locali per ulteriori informazioni sulla sede e per i termini e le condizioni di tali punti di raccolta.

Scatola	Manuale	Borsa	Pellicola	Adesivo	Maniglia	Etichetta
PAP 20	PAP 22	CPE 7	PET 1	PP 5	PP5	PAP 21
Carta	Carta	Plastica				Carta

RACCOLTA DIFFERENZIATA

Verifica le disposizioni del tuo Comune.
Separa le componenti e conferiscile in modo corretto.

Instrucciones de seguridad importantes

Antes de utilizar este electrodoméstico, lea todas las instrucciones y etiquetas de advertencia incluidas en este manual y en la Máquina, para evitar descargas eléctricas, incendios y otras lesiones accidentales causadas por el uso incorrecto.

Advertencia

- Este aparato no puede ser utilizado por personas con limitaciones físicas, sensoriales o mentales, o sin experiencia y conocimiento (niños incluidos), a menos que sean supervisados y reciban instrucciones sobre el uso seguro de la máquina por parte de un adulto responsable de su seguridad y entiendan los riesgos que implicados.
- No permita que la máquina se utilice como un juguete, se debe vigilar a los niños para asegurarse de que no juegan con la máquina. Preste mucha atención si es utilizada cerca o por niños o se utiliza cerca de ellos. Se prohíbe que los niños realicen la limpieza y el mantenimiento de la máquina sin supervisión.
- Esta máquina está diseñada para uso doméstico exclusivamente. No la utilice en el exterior ni sobre superficies mojadas. No manipule ningún componente ni el enchufe con las manos mojadas.
- Revise la batería de litio y el cargador antes de usarlos. Para evitar incendios, explosiones o lesiones, no use la aspiradora cuando la batería de litio o el cargador estén dañados.
- El cepillo multisuperficies, cepillo de rodillo suave, minicepillo motorizado, batería, pin conector metálico y la aspiradora son conductores de electricidad y no deben ser sumergidos en agua ni otro líquido. Asegúrese de secar todos los filtros después de su limpieza.
- Evite lesiones causadas por piezas móviles. Apague la aspiradora antes de limpiar el cepillo multisuperficies y el cepillo de rodillo suave. El cepillo mutisuperficies, el cepillo de rodillo suave, el compartimento para el polvo y el filtro deben estar instalados correctamente antes de utilizar la aspiradora.
- Use solo el cargador original, no use un adaptador no oficial, ya que otro tipo de cargador puede provocar que la batería de litio se incendie.
- No utilice la aspiradora para recoger agua, ni para aspirar gasolina u otros líquidos inflamables o explosivos. No recoja líquido tóxico como cloro, amoníaco, limpiadores de alcantarillas u otros.
- Está prohibido usar esta aspiradora para limpiar polvo sobre paneles de yeso, cenizas de chimenea y ceniza, no aspire nada que esté en llamas o desprenda humo como, por ejemplo, carbón, cigarrillos, cerillas o cenizas incandescentes. Está prohibido usar la aspiradora para limpiar objetos afilados como vidrio, clavos, tornillos, monedas, de lo contrario, dañará la aspiradora.
- No utilice el aspirador para recoger objetos afilados o duros, como vidrio, clavos, tornillos o monedas, que puedan dañar la máquina.
- Mantenga el pelo, ropa holgada, dedos y otras partes del cuerpo alejados de la abertura de la aspiradora y de las piezas móviles. No apunte con la barra de extensión, el tubo o las herramientas a los ojos o las orejas ni se las meta en la boca.
- No introduzca ningún objeto en las aberturas de la máquina. No utilice la máquina si alguna abertura está bloqueada; manténgalo limpio de polvo, pelusa, pelo o

cualquier otra sustancia que pueda reducir el flujo de aire.

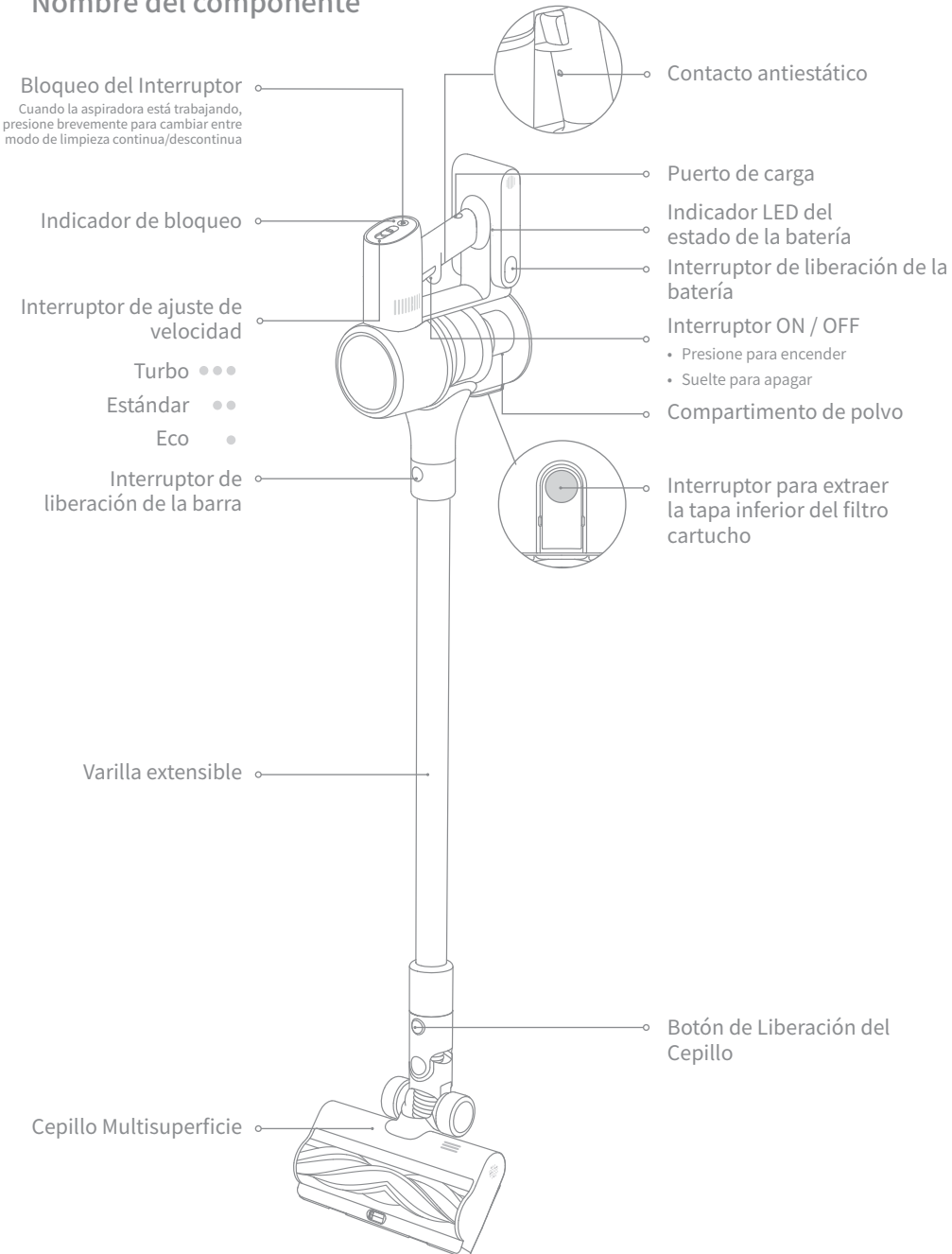
- No coloque la aspiradora sobre la silla, la mesa del comedor y otras superficies inestables para evitar daños a la aspiradora o daños al usuario. No utilice la máquina si no funciona correctamente, ha recibido un golpe, se ha caído o ha sufrido daños. Póngase en contacto con el servicio de Atención al Cliente de Dreame, no desmonte la máquina.
- Cargue la batería siguiendo estrictamente las instrucciones del manual. Si no se carga adecuadamente dentro del rango de temperatura especificado, la batería puede dañarse.
- Utilice únicamente accesorios y repuestos recomendados por el fabricante.
- Desconecte el cargador cuando no se utilice durante períodos prolongados y antes de realizar labores de mantenimiento.
- Preste atención mientras limpia en escaleras.
- No instale, cargue ni use este aparato en el exterior, en el baño o alrededor de la piscina.
- Alerta de incendio, no aplique ninguna fragancia o producto perfumado al filtro de este aparato. Las sustancias químicas en este tipo de productos son conocidas por ser inflamables y pueden causar que el aparato se incendie.
- Utilice únicamente el cargador original (modelo YLS0251B-E300080). No hacerlo, podría provocar que la batería de ion de litio se incendie.
- Utilice únicamente el tipo de batería aprobado (modelo V2213-7S1P-BCA). No hacerlo, podría provocar que la batería de ion de litio se incendie.
- Si se produce una fuga en la batería, asegúrate de que no hay nadie cerca hasta que las baterías se enfríen y los humos se disipen.
- Ventila la zona todo lo posible para eliminar los gases perjudiciales y evita el contacto con los ojos y la inhalación de vapores.
- Limpia el líquido derramado con un producto absorbente e incinera los residuos.
- No lo use ni almacene en ambientes extremadamente calientes o fríos (por debajo de 0°C / 32°F o por encima de 40°C / 104°F). Utilice el adaptador de alimentación original para cargar el robot a una temperatura de 0°C a 40°C .
- Lea y guarde estas instrucciones.

Nosotros, Dreame Trading (Tianjin) Co., Ltd., por la presente, declaramos que el equipo cumple con las Directivas y Normas Europeas aplicables y las enmiendas. Encontrará el texto completo de la declaración de conformidad de la UE en esta dirección de Internet: <https://global.dreametech.com>

Para un manual electrónico detallado, vaya a <https://global.dreametech.com/pages/user-manuals-and-faqs>

Descripción del producto

Nombre del componente

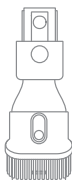


Descripción del producto

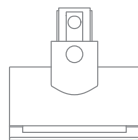
Lista de accesorios



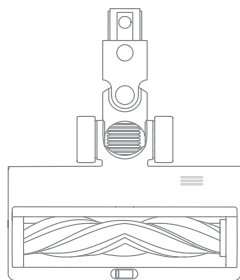
Varilla extensible



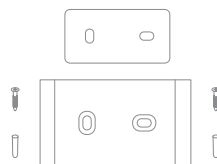
Herramienta de
Combinación ancha



Mini-Cepillo
Motorizado



Cepillo Multisuperficie



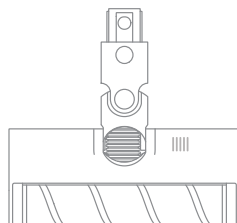
Soporte en Pared
(Incluidos tornillos ×2, enchufe
de pared ×2 y adhesivo de
plantilla de soporte)



Herramienta de
Combinación Flexible

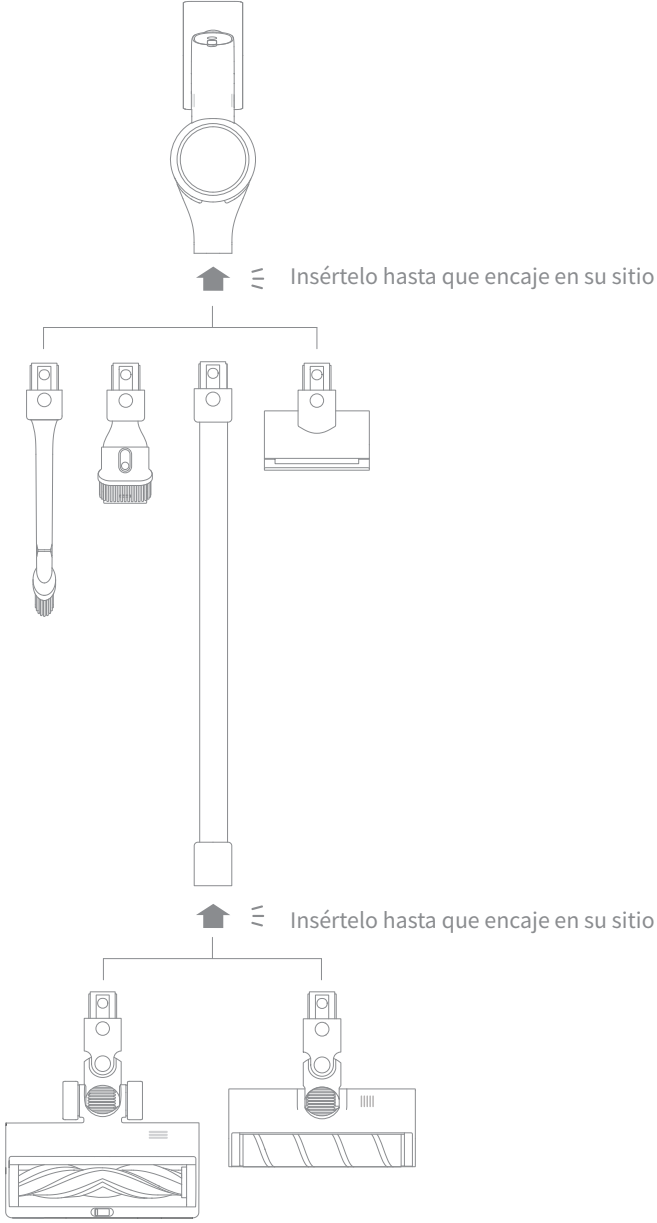


Cargador



Cepillo de rodillo suave

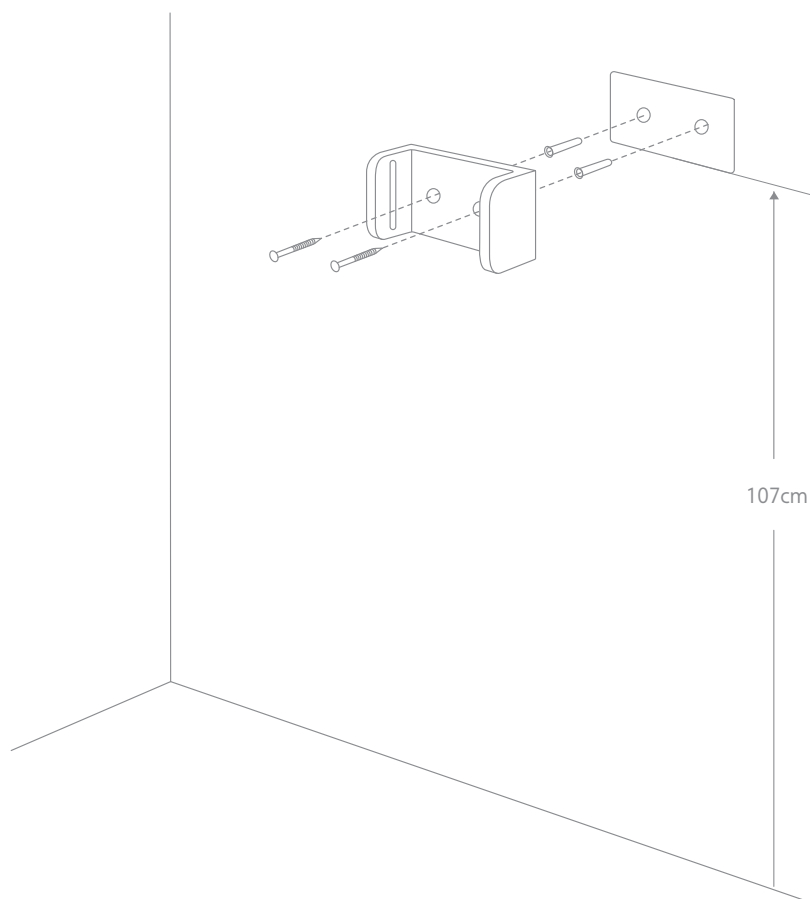
Nota: La imagen es solo de referencia, el objeto real no necesariamente se relaciona con la imagen.



Montaje

Diagrama de Instalación de Soporte en Pared

1. Pegue el adhesivo de la plantilla de soporte en la pared. El borde inferior del adhesivo de la plantilla de soporte debe estar paralelo y a unos 107cm del suelo.
2. Utilice un taladro eléctrico con una broca de 8 mm para hacer un orificio en cada marcador de la pegatina de la plantilla de montaje y, a continuación, inserte un taco en cada orificio.
3. Alinee los orificios del soporte con los orificios de la pared. Fíjelo a la pared con los tornillos incluidos.



Nota:

- El soporte en pared es un accesorio opcional. Puede instalarlo según sus necesidades.
- El soporte en pared debe instalarse en una superficie fresca y seca con un tomacorriente cerca. Antes de la instalación, asegúrese de que no haya cables ni tuberías eléctricas en el espacio directamente detrás del puesto de instalación.

Carga

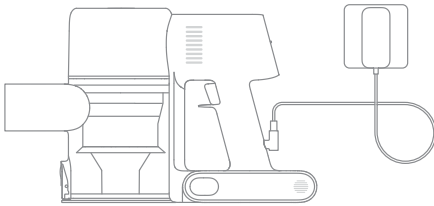
Cargue completamente la aspiradora antes de usarla por primera vez.

Nota:

- Esto puede tardar unas 4 horas.
- Si se aspira en modo turbo durante un período prolongado, la batería se calentará. Se recomienda dejar que el aspirador se enfríe durante 30 minutos antes de cargarlo de nuevo.

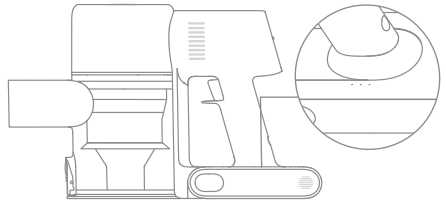
Modos de carga

Cargar la aspiradora con el cargador



Indicador LED del estado de la batería

- ● ☀ Batería baja
 - ☀ ○ Batería media
 - ☀ ○ ○ Casi cargada
 - ○ ○ Totalmente cargada
-
- Apagado ☀ Intermitente ○ Encendido



Nota: Una vez que el aspirador esté completamente cargado, el indicador se apagará 5 minutos más tarde y el aspirador entrará en el modo de ahorro de energía.

Modo de limpieza

El aspirador incluye dos modos de trabajo que se pueden seleccionar según sus necesidades de limpieza.

Modo 1: Modo de limpieza discontinua

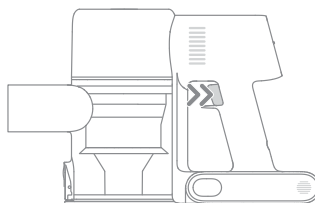
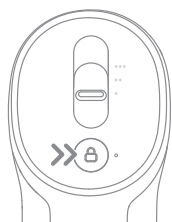
Mantenga pulsado el interruptor de la aspiradora para comenzar a funcionar y suéltelo para que se detenga.



Modo 2: Modo de limpieza continua (Bloqueo del Interruptor)

Cuando la aspiradora está trabajando, apresione el botón  para cambiar al modo de limpieza continua. Luego puede soltar el interruptor principal, y la aspiradora seguirá trabajando.

Use la función de Bloqueo del Interruptor para liberar sus dedos y evitar el cansancio causado por mantener pulsado el interruptor.

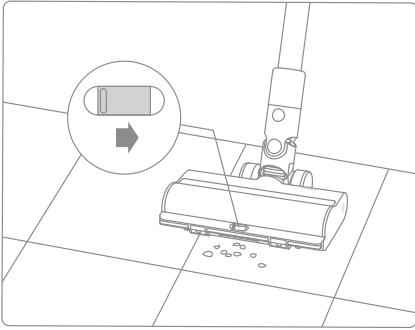


Nota:

- En este modo, la luz del indicador de bloqueo se mantiene encendida.
- Vuelva a pulsar el Bloqueo del Interruptor para salir del modo de limpieza continua.

Modo de uso

Uso de los diferentes accesorios



Cepillo Multisuperficie

Apta para limpiar alfombras de pelo mediano/corto, azulejos y pisos en general.

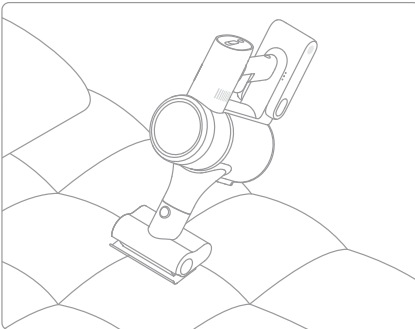
Active el interruptor del cepillo para aspirar partículas grandes como granos de café, cereales, etc.

Nota:

- El cepillo multisuperficie se puede acoplar directamente al aspirador.
- Cuando el aparato se inicia, las luces en frente del cepillo del rodillo se encenderán automáticamente, lo cual es conveniente para su uso.

Mini-Cepillo Motorizado

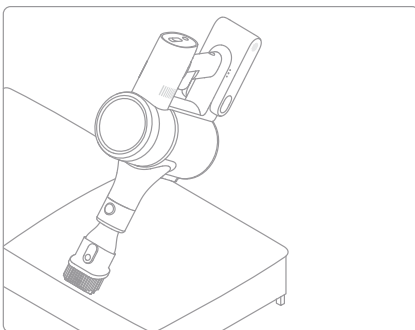
Para aspirar la suciedad, los pelos de mascota y otros restos resistentes de los sofás, la ropa de cama y otras superficies de tela.



Nota: No se recomienda pasar la aspiradora por superficies que puedan engancharse, como la seda.

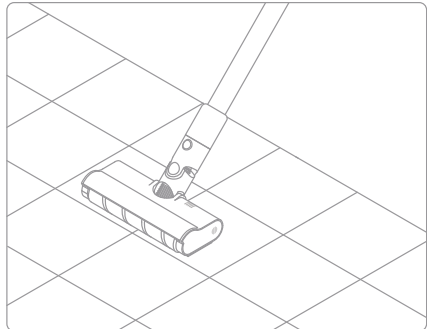
Herramienta de Combinación ancha

Para aspirar cortinas, sofás, teclados, techos, interiores de vehículos, mesas de café, etc.



Cepillo de rodillo suave

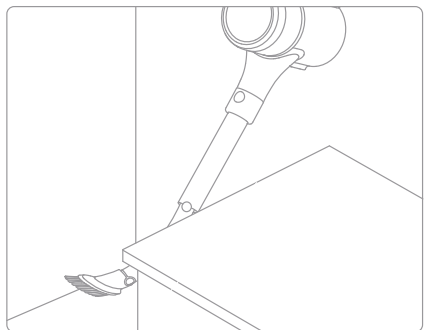
Adecuado para la limpieza de suelos duros, por ejemplo, mármol y azulejos.



Nota: El cepillo de rodillo suave puede acoplarse directamente a la aspiradora.

Herramienta de Combinación Flexible

Cepillo-boquilla plegable y retráctil, más flexible para aspirar en grietas estrechas.

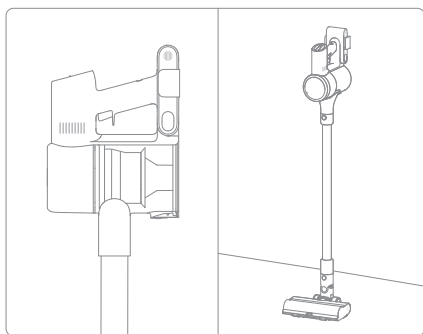


Montaje en Pared

El aspirador se puede colocar en el soporte en pared cuando no está en uso.

Nota:

- No coloque el aspirador solo en el soporte en pared.
- Colóquelo allí después de conectarlo con la barra de extensión y el cepillo multisuperficie.



Nota:

- Si alguna pieza giratoria se queda atascada, la aspiradora podría apagarse de forma automática. Extraiga los objetos extraños que se hayan quedado atascados y reanude el uso.
- Si el motor funciona a temperaturas demasiado elevadas, la aspiradora se apagará automáticamente. Espere a que la temperatura de la batería vuelva a ser normal y, a continuación, reanude el uso.

Cuidado y mantenimiento

Advertencia

- Utilice siempre piezas originales para evitar que se anule la garantía.
- Si el filtro o la boquilla se obstruye, el aspirador dejará de funcionar poco después de encenderse. Para restaurar la funcionalidad, limpie el filtro o la boquilla.
- Si no va a utilizar la aspiradora durante un largo periodo de tiempo, cárguela completamente, desenchúfela de la corriente y guárdela en un lugar fresco, seco y protegida de la luz solar. Para evitar que la batería se descargue en exceso, recargue la aspiradora al menos una vez cada tres meses.

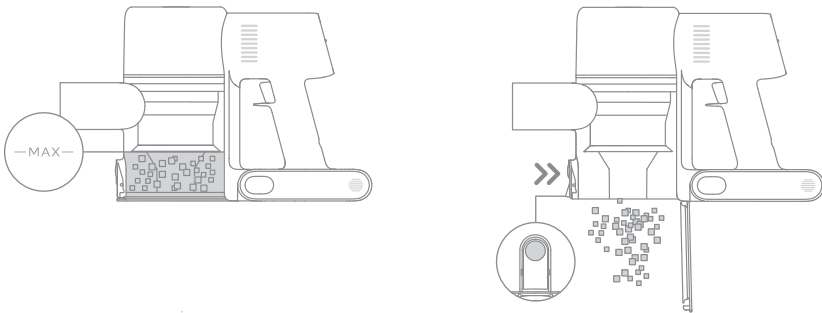
Limpieza de la aspiradora

Limpie la aspiradora con un trapo seco y suave.

Limpieza del compartimento para el polvo, el prefiltro y el separador ciclónico

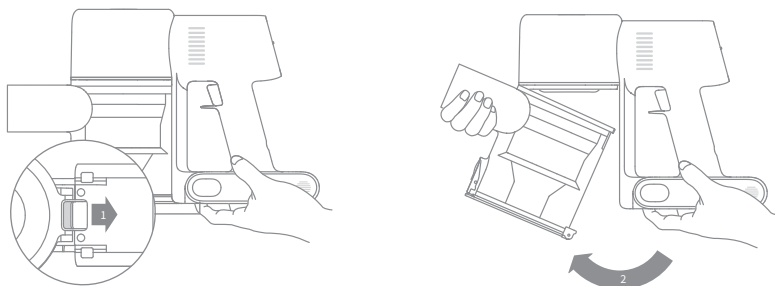
La capacidad de limpieza de la aspiradora se verá reducida en caso de que el compartimento para el polvo esté lleno y alcance la marca de "MAX". Para que recupere su rendimiento, vacíe el compartimento para el polvo de manera oportuna. Antes de vaciar el compartimento, asegúrese de que la aspiradora está desconectada de la corriente y no pulse el interruptor de encendido.

1. Pulse el interruptor para extraer la tapa inferior del compartimento de polvo y vacíe el contenido.

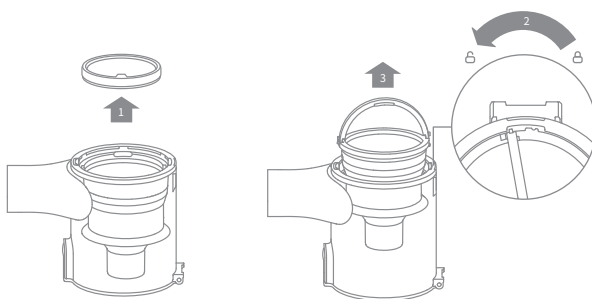


Cuidado y mantenimiento

2. Mueva el interruptor de liberación del compartimento para el polvo en la dirección indicada por la flecha y retire suavemente el compartimento de polvo de la aspiradora.

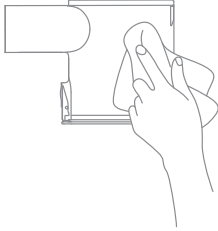


3. Quite primero el prefiltro, luego levante el mango del ciclón y gire en sentido contrario a las agujas del reloj hasta que se detenga, por último, tire para sacar el separador ciclónico.



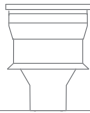
Cuidado y mantenimiento

4. Limpie el depósito de polvo con un paño húmedo suave. Acuérdesse de escurrir el paño antes de utilizarlo.



Para reducir el riesgo de descarga eléctrica, no enjuague el depósito de polvo con agua.

5. Enjuague el prefiltro y el separador ciclónico hasta que estén limpios. Después del lavado, séquelos al aire por al menos 24 horas.



Separador
ciclónico

Prefiltro

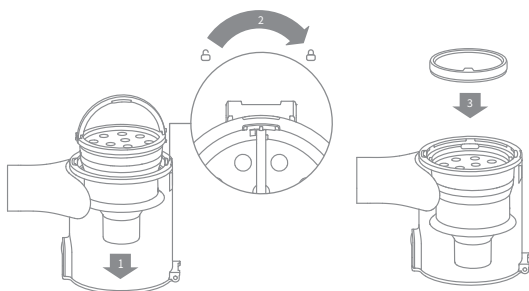
Nota:

- Debe enjuagar el compartimento de polvo al menos una vez al mes.
- Se recomienda limpiar el prefiltro, como mínimo, una vez cada 3 meses y el sistema ciclónico una vez cada 6 meses.

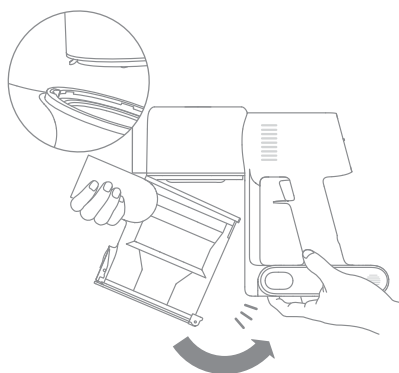
Cuidado y mantenimiento

Instalación del compartimento para el polvo, el prefiltro y el ciclón

1. Inserte verticalmente el ciclón en el compartimento de polvo y asegúrese de que el mango está alineado con la ranura del lado izquierdo del compartimento de polvo. Gire el mango en el sentido de las agujas del reloj hasta que esté fijo. Luego baje el mango.
2. Coloque el prefiltro dentro del separador ciclónico, con la parte frontal mirando hacia arriba.



3. Incline ligeramente el compartimento de polvo para que sus ranuras queden alineadas con la pestaña de la aspiradora. Luego presione suavemente sobre el compartimento de polvo hasta que encaje en su sitio.

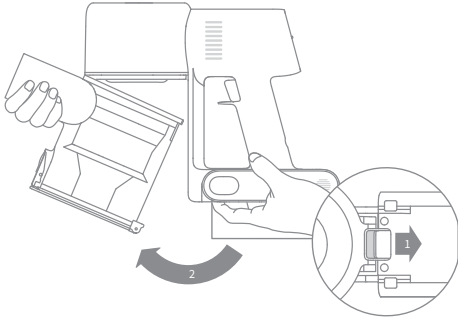


Cuidado y mantenimiento

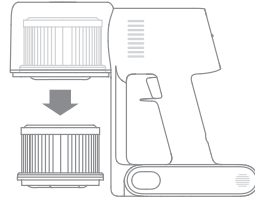
Limpieza del filtro

Se recomienda limpiar el filtro una vez cada 4 o 6 meses.

1. Extraiga el compartimento del polvo como se indica en la imagen.



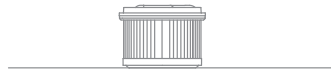
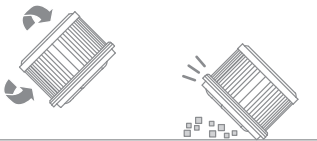
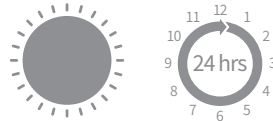
2. Extraiga el filtro de la aspiradora tirando hacia abajo, en la dirección que se muestra en la imagen.



3. Limpie el filtro con agua limpia. Asegúrese de girar el filtro 360° para quitar toda la suciedad del filtro. Golpee suavemente el filtro varias veces para extraer cualquier exceso de suciedad.



4. Deje secar el filtro durante, al menos, 24 horas.



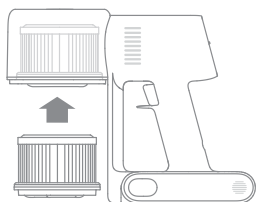
Nota:

- Utilice únicamente agua limpia para limpiar el filtro. No utilice detergentes.
- No intente limpiar el filtro con un cepillo ni con los dedos.

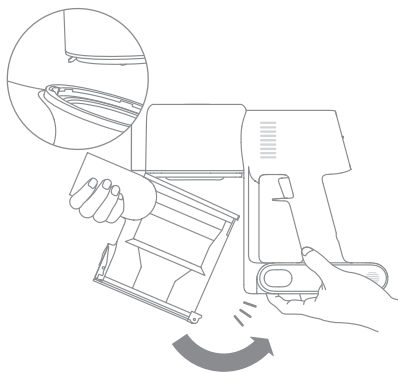
Cuidado y mantenimiento

Instalación del filtro

1. Inserte el filtro en la aspiradora y presione suavemente hacia abajo, como se indica en la imagen.



2. Vuelva a instalar el compartimento de polvo.

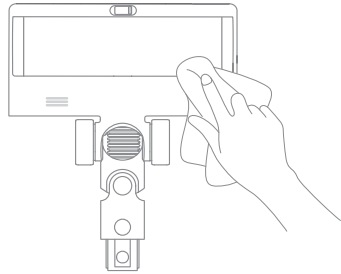
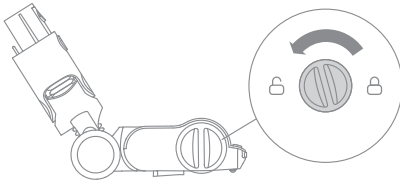


Cuidado y mantenimiento

Limpieza del Cepillo Multisuperficie

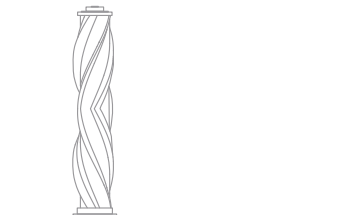
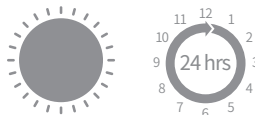
1. Gire el bloqueo en sentido contrario a las agujas del reloj hasta que se detenga, luego quite el rodillo.

2. Utilice unas tijeras para cortar los pelos y las fibras que se atascan en el rodillo. Elimine el polvo de la muesca y la tapa transparente con un paño seco o una toalla de papel. Seque bien antes de utilizar.



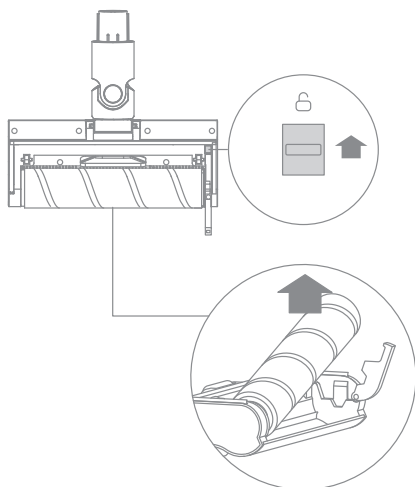
3. Cuando está sucio, enjuague el rodillo con agua limpia hasta que esté limpio.

4. Coloque el rodillo en posición vertical durante al menos 24 horas hasta que esté completamente seco.

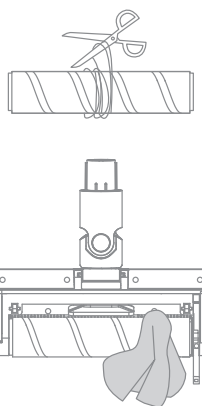


Limpeza del cepillo de rodillo suave

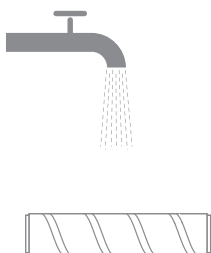
1. Pulse el botón de desbloqueo del rodillo de empuje para separar el cepillo de la ranura como se muestra en la ilustración.



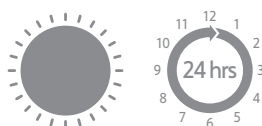
2. Utilice unas tijeras para cortar los pelos y las fibras que se atascan en el rodillo. Elimine el polvo de la muesca y la tapa transparente con un paño seco o una toalla de papel. Seque bien antes de utilizar.



3. Cuando está sucio, enjuague el rodillo con agua limpia hasta que esté limpio.



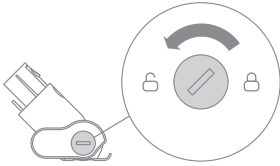
4. Coloque el rodillo en posición vertical durante al menos 24 horas hasta que esté completamente seco.



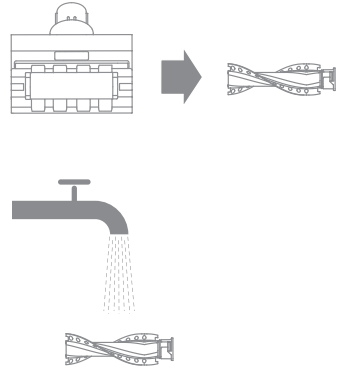
Cuidado y mantenimiento

Limpieza del Mini-Cepillo Motorizado

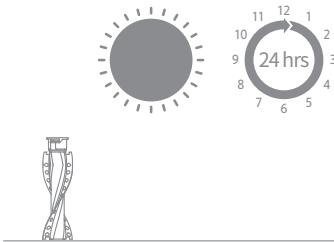
1. Utilice una moneda para girar el cierre en sentido contrario a las agujas del reloj, hasta que oiga un clic.



2. Después de desbloquear el minic cepillo motorizado, quite el rodillo, luego enjuáguelo y límpielo.



3. Coloque el rodillo en posición vertical en un área bien ventilada durante al menos 24 horas hasta que esté completamente seco.



4. Una vez que el rodillo esté seco, vuelva a instalarlo siguiendo los pasos de desmontaje al revés.

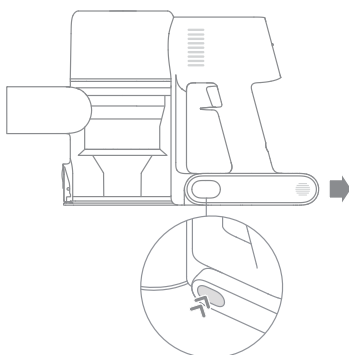


Cuidado y mantenimiento

Pack de batería

La aspiradora contiene un pack de batería de ion de litio recargable y extraíble que cuenta con un número limitado de ciclos de recarga. Tras un uso prolongado, el pack de batería dejará de poder realizar una carga. Si esto ocurre, significará que el pack de batería ha alcanzado el fin de su vida útil y deberá sustituirlo.

1. Pulse el botón de liberación del pack de batería y deslícelo hacia la derecha para sacarlo, como se muestra en la imagen.
2. Instale el nuevo pack de batería.



Especificaciones

Aspiradora			
Modelo	VTV41B		
Tensión de carga	30 V ===	Tensión asignada	25,2 V ===
Potencia asignada	425 W	Tiempo de carga	aproximadamente 4 horas
Mini-Cepillo Motorizado			
Modelo	VMM4		
Potencia asignada	20 W	Tensión asignada	25,2 V ===
Cepillo Multisuperficie			
Modelo	VMB3		
Potencia asignada	40 W	Tensión asignada	25,2 V ===
Cepillo de rodillo suave			
Modelo	ASF4		
Potencia asignada	40 W	Tensión asignada	25,2 V ===
Cargador			
Modelo	YLS0251B-E300080		
Entrada	100-240 V ~ 50/60 Hz 0,8 A max	Salida	30 V === 0,8 A
Eficiencia activa media	88,53%	Eficiencia a Baja Carga (10%)	78,66%
Consumo de Energía Sin Carga	0,09 W		
Paquete de batería de ion de litio recargable			
Modelo	V2213-7S1P-BCA		
Tensión nominal	25,2 V ===	Capacidad nominal	3000 mAh
Capacidad asignada	2800 mAh	Energía	70,56 Wh

Preguntas frecuentes

Si el aspirador no funciona correctamente, consulte la siguiente tabla de posibles soluciones.

Averías comunes	Posible causa	Solución
La aspiradora no funciona.	No tiene batería o le queda poca.	Cargue completamente la aspiradora y reanude el uso.
	Activa el modo de protección contra sobrecalentamiento debido a una obstrucción.	Espere hasta que el aspirador se enfríe, luego reactívelo.
	La abertura de succión o el conducto de aire está bloqueado.	Limpie cualquier obstrucción de la abertura de succión o del conducto de aire.
La potencia de succión disminuye.	El compartimento de polvo está lleno y/o el filtro está obstruido.	Vacíe el depósito del polvo y limpie el conjunto del filtro.
	El accesorio ensamblado está bloqueada.	Despeje cualquier bloqueo en el accesorio ensamblado.
El motor hace un ruido raro.	La abertura de succión principal o la varilla extensible está bloqueada.	Limpie cualquier obstrucción en la abertura de succión principal o en la Varilla extensible.
El primer indicador aparece rojo después de encender la aspiradora.	El pack de batería está dañado.	Póngase en contacto con el servicio posventa para concertar una cita de mantenimiento.
El primer indicador parpadea en rojo al cargar la aspiradora.	El cargador no es compatible.	Utilice únicamente el cargador original para cargar la aspiradora.

Preguntas frecuentes

Averías comunes	Posible causa	Solución
El indicador de batería no se enciende durante la carga.	El cargador no está conectado a la aspiradora.	Asegúrese de que el cargador esté bien conectado.
	La batería está totalmente cargada y cambió al modo de suspensión.	Puede utilizar la aspiradora como de costumbre.
	Si el problema persiste después de descartar las dos posibilidades anteriores.	Póngase en contacto con el servicio posventa para obtener ayuda.
La batería se carga lentamente.	La temperatura de la batería es demasiado alta o baja.	Espere a que la temperatura de la batería se normalice y reanude el uso.
Las luces LED del cepillo multisuperficie no funcionan.	Las luces LED están dañadas.	Póngase en contacto con el servicio posventa para obtener ayuda.

El pack de batería de ion de litio contiene sustancias perjudiciales para el medio ambiente. Antes de desechar la aspiradora, quite el pack de batería y deséchelo o recíclalo siguiendo las leyes y reglamentos locales del país o región en el que se use.

Información sobre RAEE



Todos los productos que llevan este símbolo son residuos de aparatos eléctricos y electrónicos (RAEE según la directiva 2012/19/UE) que no deben mezclarse con residuos domésticos sin clasificar. En su lugar, debe proteger la salud humana y el medio ambiente entregando sus equipos de desecho a un punto de recogida para el reciclaje de residuos de equipos eléctricos y electrónicos, designado por el gobierno o las autoridades locales. La eliminación y el reciclado correctos ayudarán a evitar posibles consecuencias negativas para el medio ambiente y la salud humana. Póngase en contacto con el instalador o con las autoridades locales para obtener más información sobre la ubicación y las condiciones de dichos puntos de recogida.

Инструкции по технике безопасности

Во избежание травм из-за случайного поражения электрическим током или воспламенения в результате неправильной эксплуатации изделия перед началом использования внимательно прочитайте руководство по эксплуатации.

Предупреждение

- Данное изделие не должно использоваться людьми с ограниченными физическими или интеллектуальными возможностями и нарушениями в работе органов чувств, а также лицами, не имеющими соответствующего опыта и знаний (включая детей), за исключением случаев, когда изделие используется под наблюдением или руководством ответственного лица для гарантии безопасности.
- Детям строго запрещено использовать данное изделие по назначению или в качестве игрушки. Будьте крайне осторожны во время использования изделия вблизи детей. Детям строго запрещено чистить или ремонтировать изделие без присутствия взрослых.
- Строго запрещено использовать изделие на открытом воздухе или влажной поверхности. Используйте изделие только на сухой поверхности внутри помещения, не прикасайтесь к штепсельной вилке или любой другой части изделия мокрыми руками.
- Во избежание воспламенений, взрывов или травм проверьте литиевый аккумулятор и зарядное устройство перед началом использования на наличие повреждений. Запрещено использовать пылесос, если литиевая батарея или зарядное устройство повреждены.
- Универсальная щетка, Мягкая роликовая щетка, электрическая минищетка, аккумулятор, клемма металлического соединителя и пылесос проводят ток, поэтому не должны соприкасаться с водой и другой жидкостью. Обязательно просушите все фильтры после очистки.
- Будьте осторожны, чтобы избежать травм от движущихся элементов. Выключайте пылесос перед очисткой универсальной щетки, мягкая роликовая щетка. Корректно установите универсальную щетку, мягкая роликовая щетка, отсек для пыли и фильтр перед использованием пылесоса.
- Используйте только оригинальное зарядное устройство, не используйте неофициальный адаптер, так как это может привести к возгоранию литиевого аккумулятора.
- Не используйте изделие для удаления воды, легковоспламеняющихся или взрывоопасных жидкостей, таких как бензин и т.д. Не используйте изделие для удаления токсичных растворов, таких как хлорный отбеливатель, аммиак, чистящие средства для канализации, или других жидкостей.
- Запрещено использовать пылесос для очистки извести, цемента, гипсового порошка, каминной золы и пепла, а также для дыма или зажигательных средств, таких как угли, окурки или спички.
- Перед началом эксплуатации проверьте зону для уборки. В случае обнаружения крупных листов бумаги, бумажных шариков, пластиковых или острых предметов (например, стекло, гвозди, винты, монеты и т.д.), а

также элементов крупнее диаметра трубочки для напитков удалите их, чтобы избежать засорения всасывающей трубы и нарушения нормальной работы изделия.

- Держите волосы, распущенную одежду, пальцы и другие части тела подальше от отверстий вакуума и движущихся частей. Не направляйте удлинитель, палочку или инструменты на глаза или уши и не кладите их в рот.
- Запрещено ставить какие-либо предметы на всасывающее отверстие. Не используйте пылесос, если всасывающее отверстие засорилось. Наличие больших кусков пыли, ваты, волос и других предметов может привести к ослаблению воздушного потока. Своевременно проводите очистку.
- Не прислоняйте пылесос к неустойчивым предметам, таким как стул или обеденный стол, чтобы не повредить пылесос и не травмировать пользователя в результате падения пылесоса. При повреждении или неисправности пылесоса в результате падения, обратитесь к официальному сервисному представителю. Не разбирайте изделие самостоятельно.
- Заряжайте батарею в строгом соответствии с инструкциями. В случае неправильной зарядки и превышении указанного диапазона температуры, батарея может быть повреждена.
- Извлеките штепсельную вилку перед техническим обслуживанием или ремонтом, а также в случае продолжительного хранения изделия.
- Будьте предельно внимательны во время использования изделия для уборки лестницы.
- Используйте только аксессуары и запасные части, рекомендованные производителем.
- Не проводите сборку, не заряжайте и не используйте данное изделие на улице, в ванной комнате или вблизи бассейна.
- Предупреждение об опасности возгорания: не наносите какие-либо ароматизаторы на фильтр данного изделия - химические вещества, содержащиеся в таких изделиях являются легковоспламеняющимися и могут привести к возгоранию.
- Используйте только оригинальное зарядное устройство (модель YLS0251B-E300080). Несоблюдение этого правила может привести к возгоранию литиевого аккумулятора.
- Используйте только аккумуляторы модели V2213-7S1P-BCA. Несоблюдение этого правила может привести к возгоранию литиевого аккумулятора.
- В случае выброса материала аккумуляторов эвакуируйте персонал из опасной зоны до остывания аккумуляторов и рассеивания паров.
- Обеспечьте максимальную вентиляцию для удаления опасных газов и не допускайте контакта паров с кожей и глазами или их вдыхания.
- Удалите пролитую жидкость с помощью абсорбента и уничтожьте отходы посредством сжигания.
- Запрещается использовать и хранить изделие в экстремальных температурных условиях (ниже 0°С или выше 40°С). Используйте оригинальный адаптер питания и проводите подзарядку при температуре от 0° С до 40° С.
- Данное изделие подходит исключительно для домашнего использования.

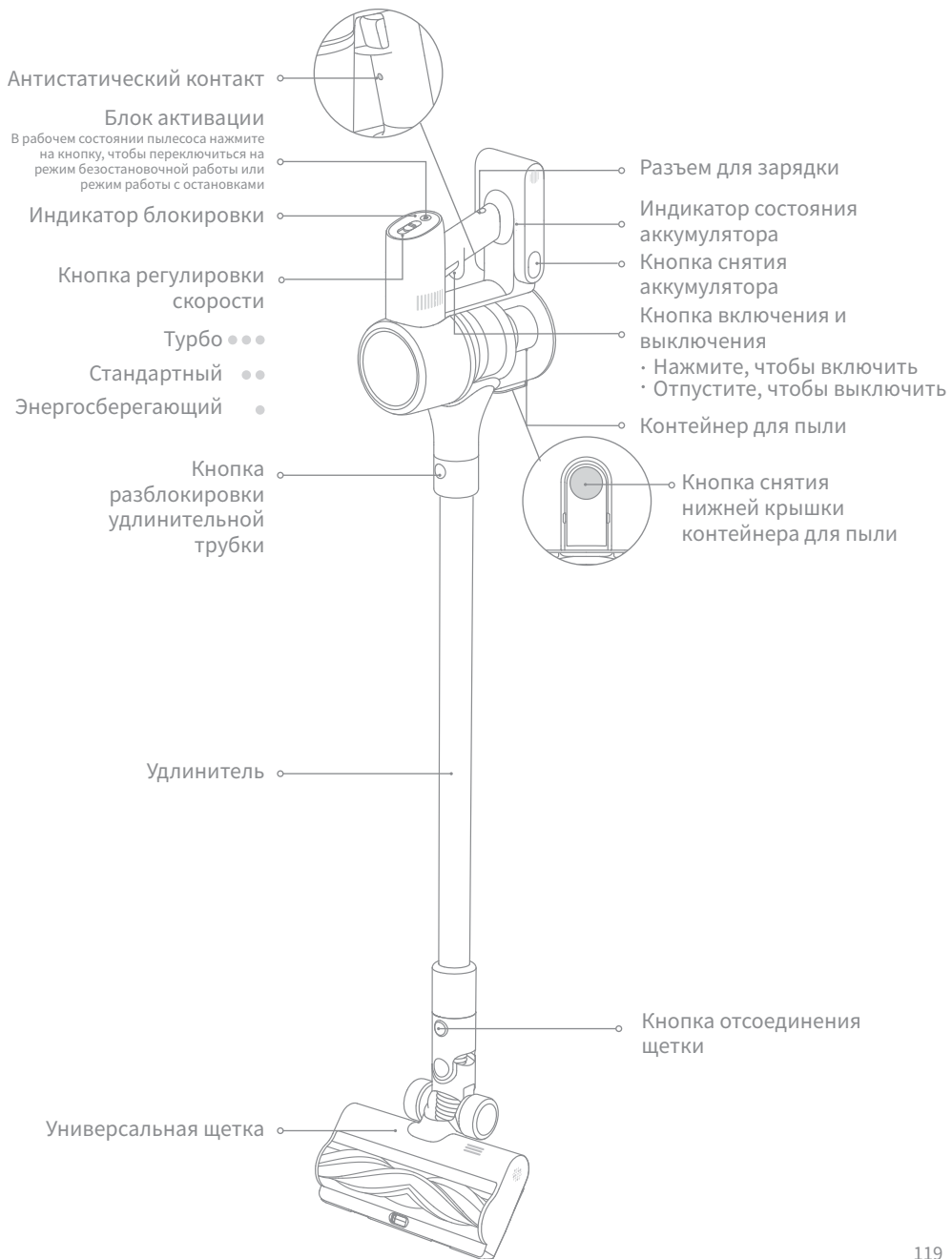
- Меры предосторожности при хранении и транспортировке:
 - Продукт должен транспортироваться в упаковке. Не подвергайте продукт давлению или ударам во время транспортировки.
 - Пожалуйста, избегайте сильных столкновений во время транспортировки.
 - Нетранспортируйте прибор при температуре выше 50 °С или ниже -20 °С.
 - В случае краткосрочного хранения, например одного месяца, прибор рекомендуется хранить при температуре от -20 °С до 50 °С и относительной влажности 60% ± 5%. В случае длительного хранения прибор рекомендуется хранить при температуре окружающей среды от 0 °С до 40 °С.
- Утилизируйте пылесос надлежащим образом. Когда его срок службы подойдет к концу, утилизируйте пылесос в соответствии с местными законами и правилами страны или региона, в котором он используется.
- Правила и условия реализации: без ограничений.
- Импортер продает этот продукт; информацию об импортере см. на упаковке.
- Сведения об импортере и контактная информация отдела послепродажного обслуживания указаны на упаковке.
- Дата изготовления: см. на упаковке.
- Срок службы продукции 3 лет.

Мы, компания Dreame Trading (Tianjin) Co., Ltd., настоящим заявляем, что данное изделие соответствует требованиям всех действующих директив ЕС и европейских стандартов со всеми изменениями и дополнениями. Полный текст декларации о соответствии нормативным требованиям ЕС доступен по адресу: <https://global.dreametech.com>

Подробное электронное руководство см. по адресу <https://global.dreametech.com/pages/user-manuals-and-faqs>

Описание изделия

Название детали

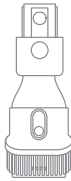


Описание изделия

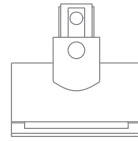
Список аксессуаров



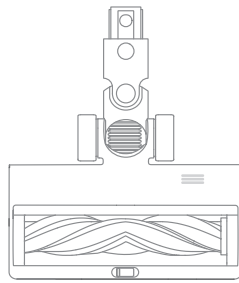
Удлинитель



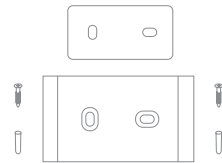
Универсальный инструмент



Электрическая минищетка



Универсальная щетка



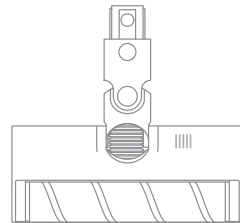
Настенная подставка
(винт $\times 2$ шт., штырь $\times 2$ шт. и этикетка шаблона монтажа)



Гибкий
комбинированный
инструмент



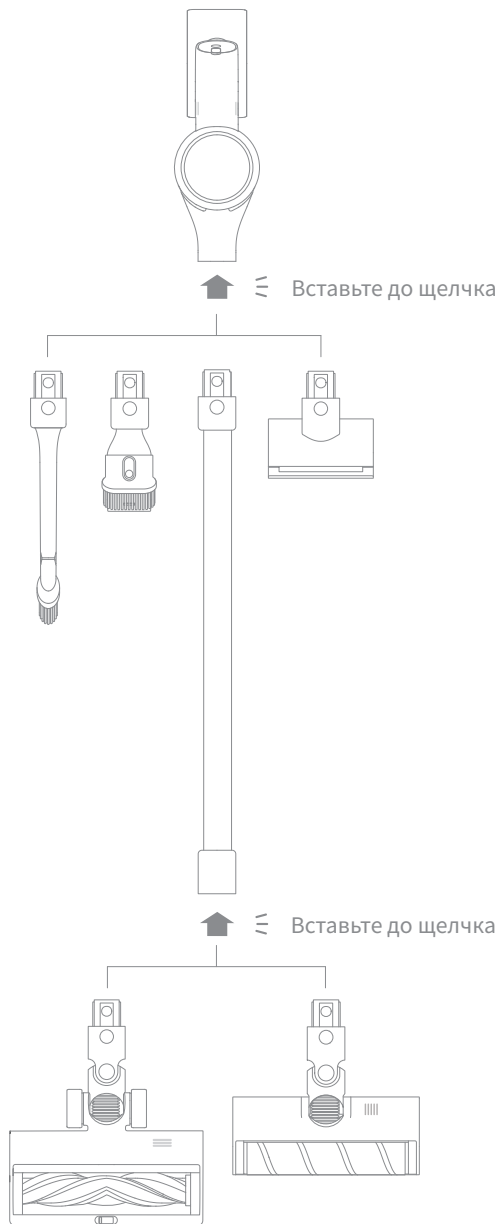
Зарядное устройство



Мягкая роликовая щетка

Примечание. Все иллюстрации в данном руководстве приведены исключительно для справки. По внешним параметрам ориентируйтесь на фактический вид изделия.

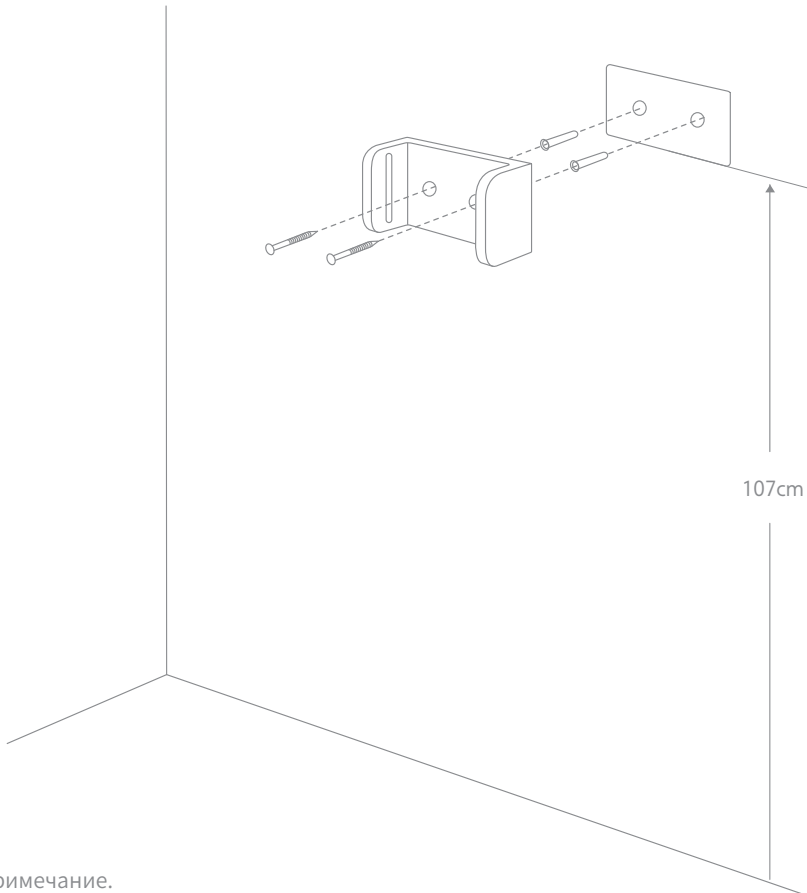
Инструкция по установке и сборке



Инструкция по установке и сборке

Диаграмма установки настенной подставки

1. Приклейте этикетку шаблона монтажа к стене на высоте около 107 см параллельно полу.
2. При помощи перфоратора со сверлом 8 мм просверлите отверстия согласно отметка на стикере и вставьте дюбель в каждое отверстие.
3. Соедините отверстия на подставке с отверстиями на стене. Закрепите подставку на стене с помощью винтов в комплекте.



Примечание.

- Настенная подставка не является обязательным аксессуаром. Выполните установку по необходимости.
- Настенную подставку необходимо устанавливать на прохладной сухой поверхности рядом с электрической розеткой. Перед установкой убедитесь, что непосредственно за местом установки не проходят электрические провода и трубы.

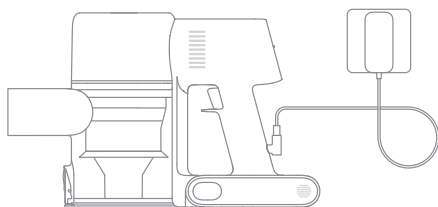
Зарядка

Перед первым использованием зарядите пылесос до полной зарядки.

Примечание. Первая зарядка займет около 4 часов. После безостановочной уборки в режиме Турбо аккумулятор может сильно нагреться, поэтому пылесосу может потребоваться больше времени на подзарядку. Рекомендуется остудить робот в течение 30 минут и затем начать подзарядку.

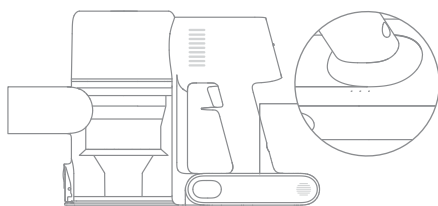
Режимы зарядки

Зарядка с помощью зарядного устройства



Индикатор состояния аккумулятора

- ● ☀ Низкий уровень заряда
 - ☀ ○ Средний уровень заряда
 - ☀ ○ ○ Почти полный уровень заряда
 - ○ ○ Полный уровень заряда
- Выкл. ☀ Мигание ○ Вкл.



Примечание.

Через 5 минут после окончания зарядки индикатор погаснет, а пылесос перейдет в энергосберегающий режим.

Правила эксплуатации изделия

Рабочие режимы


Доступны 2 режима работы робота-пылесоса, которые могут быть выбраны в зависимости от требований к уборке.

Режим 1: "прерывистая уборка"

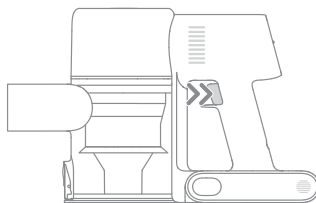
Нажмите и удерживайте переключатель пылесоса, чтобы начать работу, и отпустите его, чтобы немедленно остановить.




Режим 2: "непрерывная уборка"

В рабочем состоянии пылесоса нажмите кнопку , чтобы включить режим безостановочной работы. Затем отпустите выключатель пылесоса, чтобы перейти в режим безостановочной работы.

С помощью функции Блок активации вы можете не удерживать кнопку переключения постоянно для защиты от усталости.

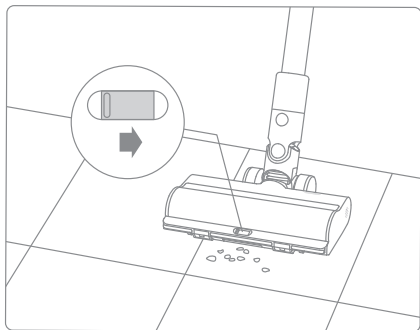


Примечание.

- В этом режиме нажмите кнопку переключения, чтобы приостановить работу или повторно запустить пылесос без изменения режима работы.
- Повторно нажмите на кнопку  Блок активации, чтобы выйти из режима непрерывной уборки.

Правила эксплуатации изделия

Сценарии использования аксессуаров



Универсальная щетка

Подходит для уборки ковров с коротким и средним ворсом, а также для очистки кафельного и деревянного напольного покрытия.

Для уборки пылесосом крупных частиц включите переключатель на щетке, например, кофейных зерен, кукурузных хлопьев и т.д.

Примечание.

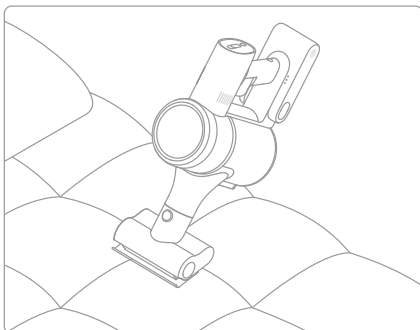
- Универсальная щетка устанавливается на пылесос.
- При запуске прибора автоматически включаются индикаторы перед валиком щетки, что удобно для использования.

Мягкая роликовая щетка

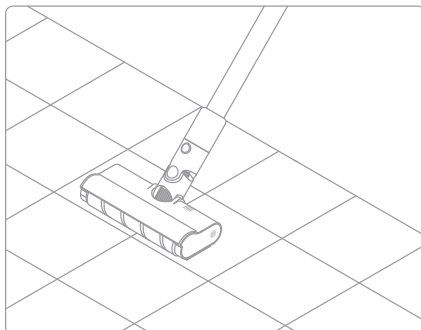
Подходит для чистки твердых полов, таких как мрамор и плитка.

Электрическая минищетка

используется для уборки грязи, шерсти животных и других стойких загрязнений на диване, матрасе и других тканевых поверхностях.



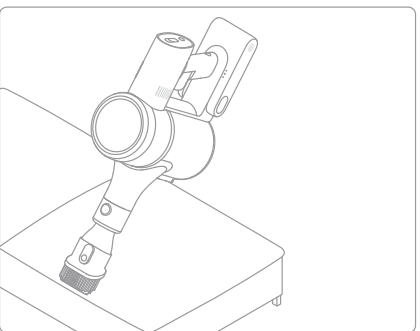
Примечание. Не рекомендуется использовать пылесос для уборки поверхностей, на которых могут остаться зацепки и царапины (напр. Шелк).



Заметка: Мягкая роликовая щетка может быть прикреплена непосредственно к вакууму.

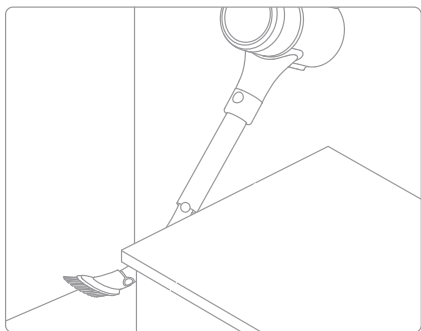
Универсальный инструмент

используется для очистки штор, клавиатуры, потолочной плитки, салона автомобиля, кофейных столиков и т. д.



Гибкий комбинированный инструмент

Сгибаемая и выдвигная щетка-насадка, более гибкая для подметания в узкие щели.



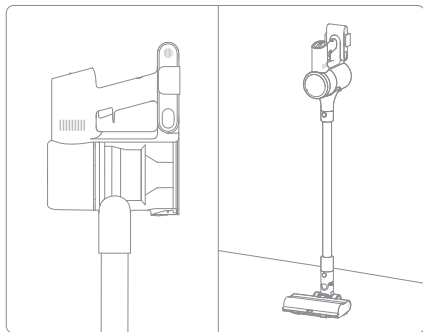
Правила эксплуатации изделия

Настенная подставка

Пылесос можно разместить на настенной подставке, когда он не используется.

Примечание.

- Не размещайте пылесос на настенной подставке отдельно.
- Перед этим необходимо подсоединить удлинительную трубку и универсальную щетку.



Примечание.

- В случае заклинивания какой-либо вращающейся детали пылесос может автоматически отключиться. Уберите застрявшие посторонние предметы и продолжите уборку.
- В случае перегрева аккумулятора пылесос автоматически отключится. Подождите, пока температура аккумулятора нормализуется, а затем продолжите уборку.

Уход и ремонт

Меры предосторожности

- Используйте оригинальные запчасти, в противном случае гарантийное обслуживание будет недоступно.
- В случае засорения фильтра, насадки или умной многофункциональной щетки робот-пылесос может выключиться сразу после запуска. Очистите засоренные детали перед повторным запуском.
- Если вы не планируете использовать пылесос в течение длительного периода времени, полностью зарядите его, отключите от розетки и положите на хранение в прохладном месте с низкой влажностью вдали от прямых солнечных лучей. Во избежание избыточной разрядки аккумулятора заряжайте пылесос как минимум раз в три месяца.

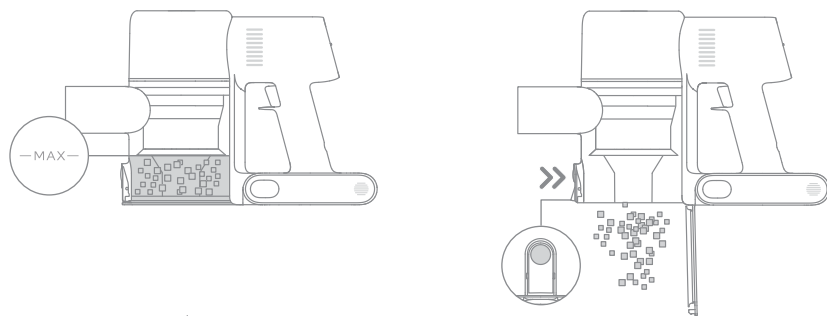
Очистка пылесоса

Протрите пылесос мягкой сухой тряпкой.

Очистка контейнера для пыли, фильтра предварительной очистки и циклонного блока

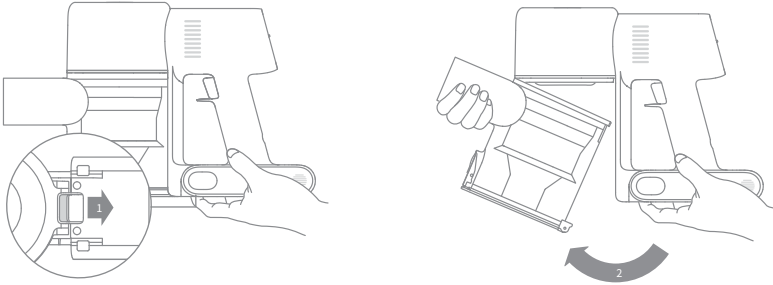
Если контейнер для пыли заполнен до отметки "MAX", эффективность работы пылесоса может значительно снизиться. Для оптимальной работы своевременно очищайте контейнер для пыли. Перед очисткой контейнера убедитесь, что пылесос отключен от розетки, и не нажимайте кнопку "Пуск".

1. Нажмите кнопку снятия нижней крышки контейнера для пыли в направлении, обозначенном стрелкой, а затем откройте крышку и извлеките содержимое контейнера.

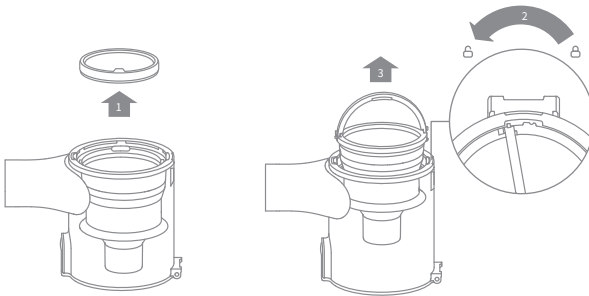


Уход и ремонт

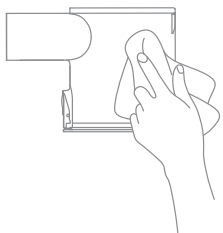
2. Нажмите кнопку извлечения контейнера для пыли в направлении, обозначенном стрелкой, как показано на Рис.1, а затем извлеките контейнер для пыли из пылесоса, как на Рис.2.



3. Сначала снимите фильтр предварительной очистки, поверните ручку циклонного блока против часовой стрелки до упора, а затем извлеките циклонный блок.



4. Протрите пылесборник мягкой влажной тканью. Обратите внимание на отжатие ткани перед использованием.



Контейнер для пыли содержит электрические компоненты. Запрещено промывать контейнер водой!

5. Тщательно промойте фильтр предварительной очистки и циклонный блок, а затем отложите минимум на 24 часа для полной просушки.



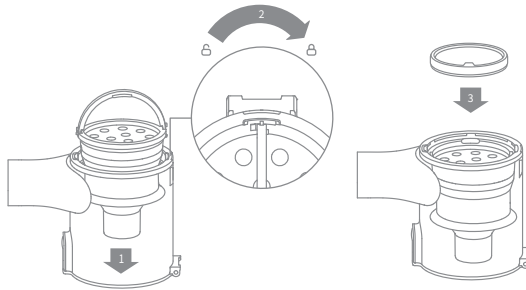
Примечание.

- Контейнер для пыли следует промывать как минимум раз в месяц.
- Рекомендуется очищать фильтр предварительной уборки не реже одного раза в 3 месяца, а циклонный блок — не реже одного раза в 6 месяцев.

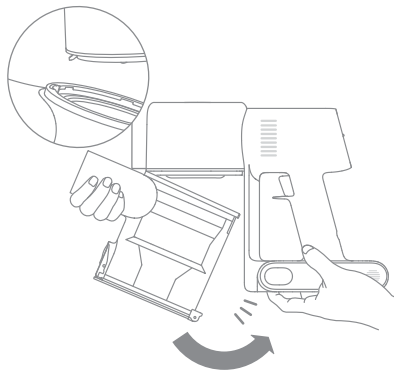
Уход и ремонт

Установка контейнера для пыли, фильтра предварительной очистки и циклонного блока

1. Вставьте циклонный блок вертикально в контейнер для пыли так, чтобы ручка циклонного блока соединилась с отверстием на левой стенке контейнера для пыли. Поверните ручку по часовой стрелке до упора, а затем опустите ее.
2. Вставьте фильтр предварительной очистки в циклонный блок передней стороной вверх.



3. Слегка наклоните контейнер для пыли, чтобы его отверстие соединилось с фиксатором на пылесосе. Затем осторожно нажмите на контейнер в направлении, обозначенном стрелкой, до щелчка, чтобы завершить установку.

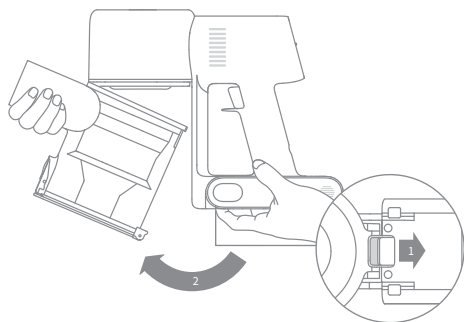


Уход и ремонт

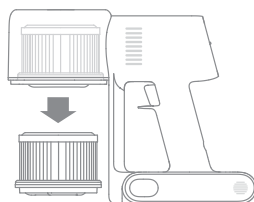
Очистка фильтра

Рекомендуется очищать фильтр каждые 4–6 месяцев.

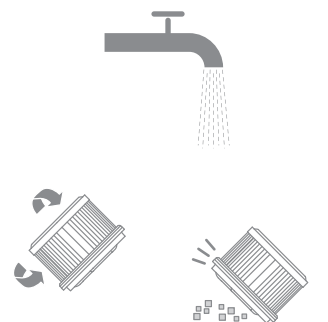
1. Извлеките контейнер для пыли так, как показано на рисунке.



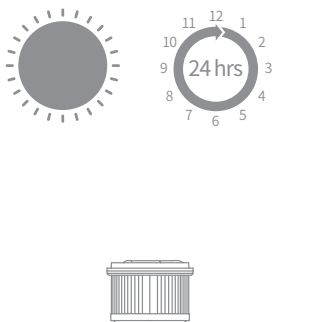
2. Достаньте фильтр из пылесоса движением вниз, как показано на рисунке.



3. Промойте фильтр чистой водой, поворачивая фильтр на 360°, чтобы полностью удалить накопившуюся в нем пыль. Несколько раз слегка постучите по фильтру, чтобы убрать избыток грязи.



4. Просушите фильтр в течение как минимум 24 часов.



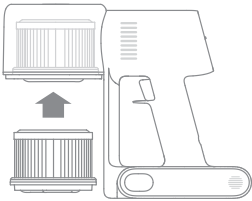
Примечание:

- Промывайте фильтр только чистой водой. Не используйте чистящие средства.
- Не очищайте фильтр щеткой или пальцами.

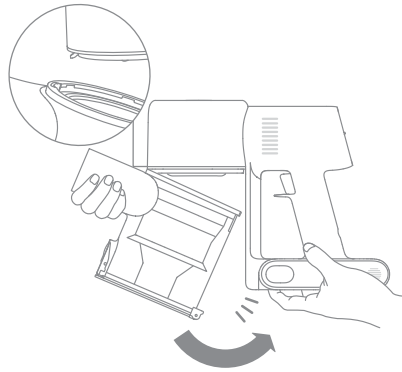
Уход и ремонт

Установка фильтра

1. Вставьте фильтр в пылесос и слегка нажмите на него, как показано на рисунке.

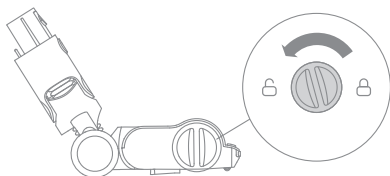


2. Установите контейнер для пыли на место.

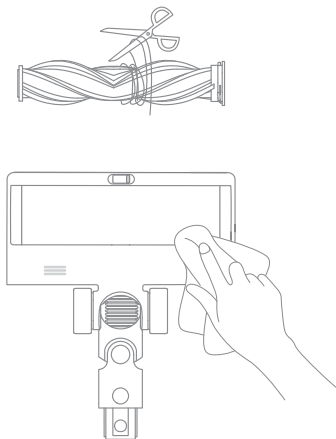


Очистка универсальной щетки

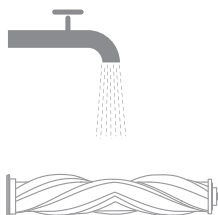
1. Поверните блок против часовой стрелки до упора, затем снимите ролик с роликовой щетки.



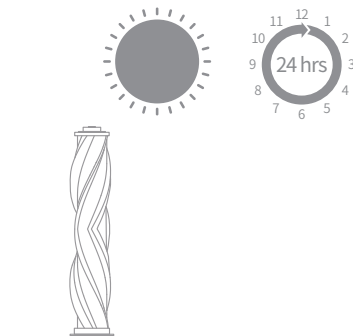
2. С помощью ножниц срежьте волосы и ткань, застрявшие на роликовой щетке. Сотрите пыль с паза и прозрачной крышки сухой тканью или бумажным полотенцем. Перед использованием тщательно просушите.



3. Если роликовая щетка загрязнится, промойте ее водой до чистоты.

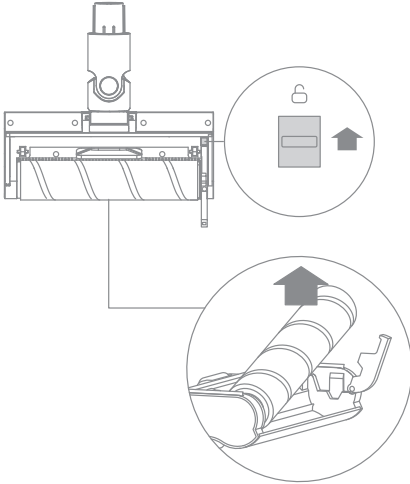


4. Поставьте роликовую щетку вертикально и оставьте минимум на 24 ч до полного высыхания.

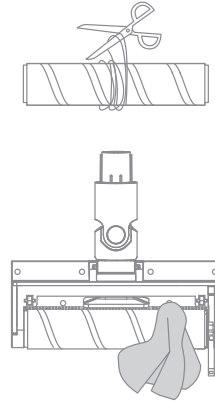


Очистка мягкой роликовой щетки

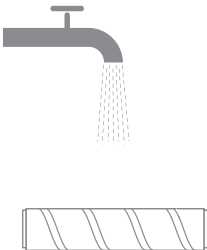
1. Как показано на рисунке, нажмите кнопку отпущения валика щетки, чтобы удалить валик из слота.



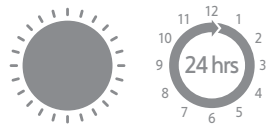
2. С помощью ножниц срежьте волосы и ткань, застрявшие на роликовой щетке. Сотрите пыль с паза и прозрачной крышки сухой тканью или бумажным полотенцем. Перед использованием тщательно просушите.



3. Если роликовая щетка загрязнится, промойте ее водой до чистоты.



4. Поставьте роликовую щетку вертикально и оставьте минимум на 24 ч до полного высыхания.



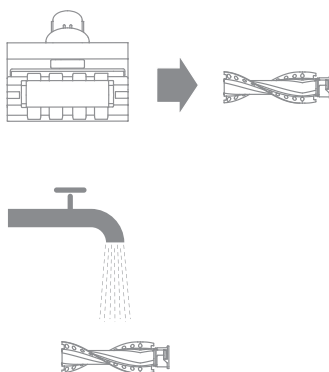
Уход и ремонт

Очистка электрической минищетки

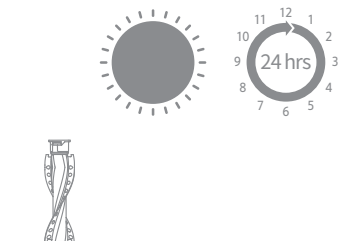
1. С помощью монетки поверните замок против часовой стрелки до щелчка.



2. После разблокировки электрической минищетки снимите роликовую щетку, затем ополосните и очистите ее.



3. Поставьте роликовую щетку вертикально в хорошо вентилируемом месте минимум на 24 ч до полного высыхания.



4. Когда роликовая щетка высохнет, установите ее на место в последовательности, обратной установке.

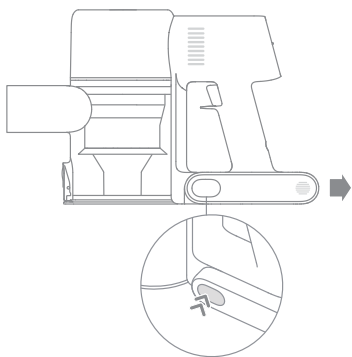


Уход и ремонт

Аккумулятор

Пылесос содержит съемный литий-ионный аккумулятор с ограниченным количеством циклов зарядки. После продолжительного использования аккумулятор может перестать держать заряд. Это означает, что срок службы аккумулятора подошел к концу и его требуется заменить.

1. Нажмите кнопку снятия аккумулятора и сдвиньте аккумулятор вправо, как показано на рисунке, чтобы снять его.
2. Вставьте новый аккумулятор.



Технические характеристики

Вакуумный пылесос			
Модель	VTV41B		
Напряжение при зарядке	30 V ===	Номинальное напряжение	25,2 V ===
Номинальная мощность	425 W	Время зарядки	около 4 часов
Электрическая минищетка			
Модель	VMM4		
Номинальная мощность	20 W	Номинальное напряжение	25,2 V ===
Универсальная щетка			
Модель	VMB3		
Номинальная мощность	40 W	Номинальное напряжение	25,2 V ===
Мягкая роликовая щетка			
Модель	ASF4		
Номинальная мощность	40 W	Номинальное напряжение	25,2 V ===
Адаптер			
Модель	YLS0251B-E300080		
Входное	100-240 V ~ 50/60 Hz 0,8 A max	Выход	30 V === 0,8 A
Средний КПД в активном состоянии	88,53%	Эффективность при низкой нагрузке (10%)	78,66%
Энергопотребление без нагрузки	0,09W		
Перезаряжаемый литий-ионный аккумулятор			
Модель	V2213-7S1P-BCA		
Расчетное напряжение	25,2 V ===	Номинальная емкость	3000 mAh
Реальная емкость	2800 mAh	Энергия	70,56 Wh

Вопросы и ответы

Если пылесос перестал работать в нормальном режиме, см. таблицу устранения неисправностей ниже.

Неисправность	Возможная причина	Решение
Пылесос не работает.	Пылесос разрядился или недостаточный заряд аккумулятора.	Полностью зарядите пылесос, а затем продолжите использование.
	В результате засорения автоматически включился режим защиты от перегрева.	Подождите, пока пылесос остынет, а затем заново включите его.
	Отверстие для всасывания или воздушное отверстие засорилось.	Очистите отверстие для всасывания или воздушное отверстие от загрязнений.
Сила всасывания снизилась.	Заполнен контейнер для пыли и/или засорен фильтр.	Очистите контейнер для пыли и очистите блок фильтра.
	Аксессуар засорился.	Очистите аксессуар от загрязнений.
Посторонние шумы в двигателе.	Основное отверстие для всасывания или удлинитель засорились.	Очистите основное отверстие для всасывания или удлинитель от загрязнений.
После включения пылесоса первый индикатор горит красным.	Отсек аккумулятора поврежден.	Обратитесь в отдел послепродажного обслуживания для устранения неполадки.
Во время зарядки пылесоса первый индикатор мигает красным.	Используется несовместимое зарядное устройство.	Используйте только оригинальное зарядное устройство для зарядки пылесоса.

Вопросы и ответы

Неисправность	Возможная причина	Решение
Во время зарядки пылесоса индикатор заряда не горит.	Зарядное устройство не подключено к пылесосу.	Убедитесь, что зарядное устройство подключено правильно.
	Аккумулятор полностью заряжен и перешел в спящий режим.	Пылесос готов к использованию.
	Если после устранения обоих указанных выше ситуаций проблема по-прежнему не устранена.	обратитесь в отдел послепродажного обслуживания компании для проведения ремонта.
Медленная зарядка аккумулятора	Слишком низкая или слишком высокая температура аккумулятора.	Подождите, пока температура аккумулятора нормализуется, а затем продолжите использование.
LED лампы для многослойных поверхностей не работают.	LED лампы повреждены.	обратитесь в отдел послепродажного обслуживания компании для проведения ремонта.

Литий-ионный аккумулятор содержит вещества, представляющие опасность для окружающей среды. Перед утилизацией пылесоса сначала выньте аккумулятор и утилизируйте или сдайте его на переработку в соответствии с местными законами и правилами страны или региона эксплуатации.

Информация об утилизации и переработке отходов электрического и электронного оборудования (WEEE)



Все изделия с символом раздельного сбора обработанного электрического и электронного оборудования (Директива WEEE 2012/19/EU) следует утилизировать отдельно от несортируемых бытовых отходов. С целью охраны здоровья и защиты окружающей среды такое оборудование необходимо сдавать на переработку в специальные пункты приема электрического и электронного оборудования, определенные правительством или местными органами власти. Правильная утилизация и переработка помогут предотвратить возможные негативные последствия для окружающей среды и здоровья человека. Для получения информации о местонахождении и порядке приема устройств в пунктах приема обратитесь в компанию, занимающуюся установкой оборудования, или в местные органы власти.

Instrukcja bezpieczeństwa

Aby zapobiec wypadkom, w tym porażeniu prądem elektrycznym lub pożarowi spowodowanemu niewłaściwym użytkowaniem, przed użyciem należy zachować niniejszą instrukcję i zachować ją do wykorzystania w przyszłości.

Ostrzeżenie

- Z tego produktu mogą korzystać dzieci w wieku od 8 lat oraz osoby z deficytami fizycznymi, sensorycznymi, intelektualnymi lub o ograniczonym doświadczeniu lub wiedzą wyłącznie pod nadzorem rodzica lub innej osoby dorosłej, aby zapewnić bezpieczne użytkowanie i uniknąć wszelkich zagrożeń. Pielęgnacja i konserwacja urządzenia nie mogą być wykonywane przez dzieci bez nadzoru osoby dorosłej.
- Odkurzacz nie jest zabawką. Dzieci nie powinny bawić się ani obsługiwać tego produktu. Należy zachować ostrożność podczas używania odkurzacza w pobliżu dzieci. Nie pozwalaj dzieciom na czyszczenie lub konserwację odkurzacza, chyba że pod nadzorem rodzica lub osoby dorosłej.
- Nie używaj odkurzacza na zewnątrz ani na mokrych powierzchniach. Odkurzacza należy używać tylko na suchych powierzchniach, wewnątrz pomieszczeń. Nie należy dotykać wtyczki ani żadnej części odkurzacza mokrymi rękami.
- Aby zmniejszyć ryzyko pożaru, wybuchu lub obrażeń, przed użyciem upewnij się, że akumulator litowy i zasilacz są nieuszkodzone. Nie używaj odkurzacza, jeśli akumulator litowy lub ładowarka są uszkodzone.
- Szczotka wielopowierzchniowa, miękka szczotka rolkowa, zmotoryzowana mini-szczotka, akumulator, metalowy pin złącza i odkurzacz przewodzą prąd elektryczny i nie należy zanurzać ich w wodzie ani innych cieczach. Zadbaj o wysuszenie filtrów po czyszczeniu.
- Zapobiegaj obrażeniom ze strony części poruszających się. Wyłącz odkurzacz przed czyszczeniem szczotki wielopowierzchniowej i miękkiej szczotki rolkowej. Szczotka wielopowierzchniowa, miękka szczotka rolkowa, przegroda na kurz i filtr muszą być prawidłowo zainstalowane przez użyciem odkurzacza.
- Należy używać wyłącznie oryginalnego zasilacza. Nigdy nie używaj nieoryginalnego zasilacza.
- Nie należy używać odkurzacza do usuwania łatwopalnych cieczy, takich jak benzyna, wybielacz, amoniak, środki czyszczące do kanalizacji lub inne płyny.
- Nie należy używać odkurzacza do usuwania pyłu, płyt kartonowo-gipsowych, popiołów kominkowych lub łatwopalnych materiałów, takich jak węgiel, niedopałki papierosów lub zapalki.
- Przed użyciem należy sprawdzić obszar, który ma zostać oczyszczony. Aby zapobiec zatkananiu otworów, należy usunąć duże kawałki papieru, papierowe kulki, plastikową torebkę lub ostre przedmioty, takie jak szkło, gwoździe, śruby, monety itp. i wszelkie przedmioty, który są większe niż otwory ssące.
- Trzymaj włosy, luźne ubrania, palce i inne części ciała z dala od otworów i ruchomych części odkurzacza. Nie należy kierować pręta przedłużającego, różdżki lub narzędzi w kierunku oczu lub uszu, ani wkładać ich do ust.
- Nie należy wkładać żadnych przedmiotów do otworów ssących. Nie używać

odkurzacza, jeśli jego otwór ssący jest zablokowany.

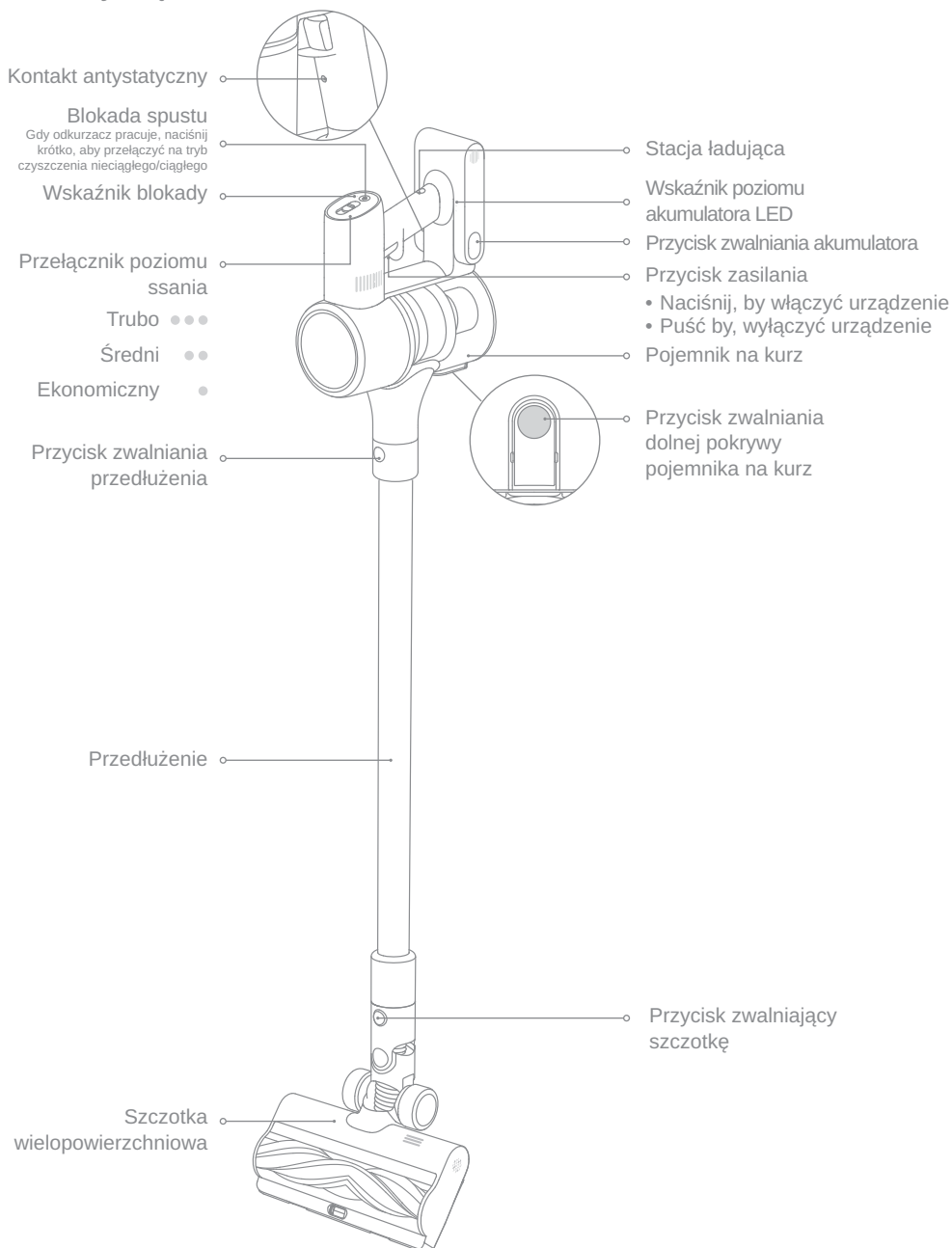
- Nie należy opierać odkurzacza o krzesło, stół lub inną niestabilną powierzchnię, ponieważ może to spowodować uszkodzenie urządzenia lub obrażenia ciała. Jeśli odkurzaczy zostanie uszkodzony lub w inny sposób działa nieprawidłowo, skontaktuj się z naszym autoryzowanym działem serwisowym.
- Wszystkie zalecenia w instrukcji ładowania akumulatora muszą być ściśle przestrzegane. Ładowanie akumulatora nieprzestrzegając określonego zakresu temperatur może spowodować jego uszkodzenie.
- Należy używać wyłącznie akcesoriów i części zamiennych zalecanych przez producenta.
- Należy upewnić się, że odłączono odkurzaczy, gdy nie jest on używany przez dłuższy czas, a także przed wykonaniem jakichkolwiek czynności konserwacyjnych lub napraw.
- Należy zachować szczególną ostrożność podczas czyszczenia schodów przy użyciu odkurzaczy.
- Nie należy montować, ładować ani używać tego urządzenia na zewnątrz, w łazienkach lub wokół basenów.
- Ostrzeżenie o zagrożeniu pożarowym: Nie należy aplikować żadnych perfum do filtra odkurzaczy. Tego rodzaju produkty zawierają łatwopalne substancje chemiczne, które mogą spowodować zapalenie się odkurzaczy.
- Należy używać wyłącznie oryginalnej ładowarki (Model YLS0251B-E300080). Niezastosowanie się do tego może spowodować zapalenie się akumulatora litowo-jonowego.
- Należy używać wyłącznie zatwierdzonego typu baterii (Model V2213-7S1P-BCA). Niezastosowanie się do tego może spowodować zapalenie się akumulatora litowo-jonowego.
- Jeśli dojdzie do uwolnienia materiału z akumulatora, personel powinien opuścić ten obszar aż do czasu ostygnięcia akumulatora i rozproszenia się oparów.
- Zapewnić maksymalną wentylację w celu usunięcia niebezpiecznych gazów i unikać kontaktu ze skórą i oczami oraz wdychania oparów.
- Rozlaną ciecz usunąć za pomocą środka absorbującego, a odpady spalić.
- Nie należy używać i przechowywać urządzenia w bardzo gorących lub zimnych warunkach (poniżej 0°C /32°F lub powyżej 40°C /104°F). Bezprzewodowy odkurzaczy należy ładować w temperaturze powyżej 0°C/32°F i poniżej 40°C/104°F.
- Ten produkt jest przeznaczony wyłącznie do użytku domowego.

My, Dreame Trading (Tianjin) Co., Ltd., niniejszym oświadczamy, że to urządzenie jest zgodne z obowiązującymi dyrektywami i normami europejskimi oraz ich poprawkami. Pełny tekst deklaracji zgodności UE jest dostępny pod następującym adresem internetowym: <https://global.dreame.tech.com>

Szczegółową elektroniczną instrukcję obsługi można znaleźć na stronie <https://global.dreame.tech.com/pages/user-manuals-and-faqs>

Opis produktu

Nazwy części

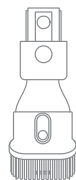


Opis produktu

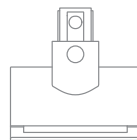
Akcesoria



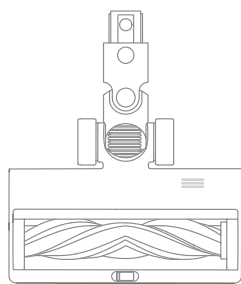
Przedłużenie



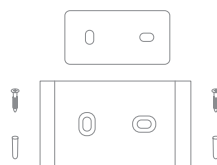
Narzędzie
wielozadaniowe



Zmotoryzowana mini
szczotka



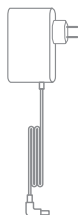
Szczotka wielopowierzchniowa



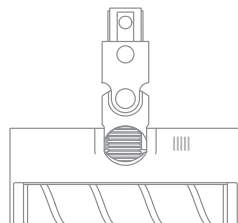
Uchwyt ścienny
(w tym śruba ×2, gniazdko
ścienne ×2 i naklejka z
szablonem montażowym)



Elastyczny przyrząd
wielofunkcyjny



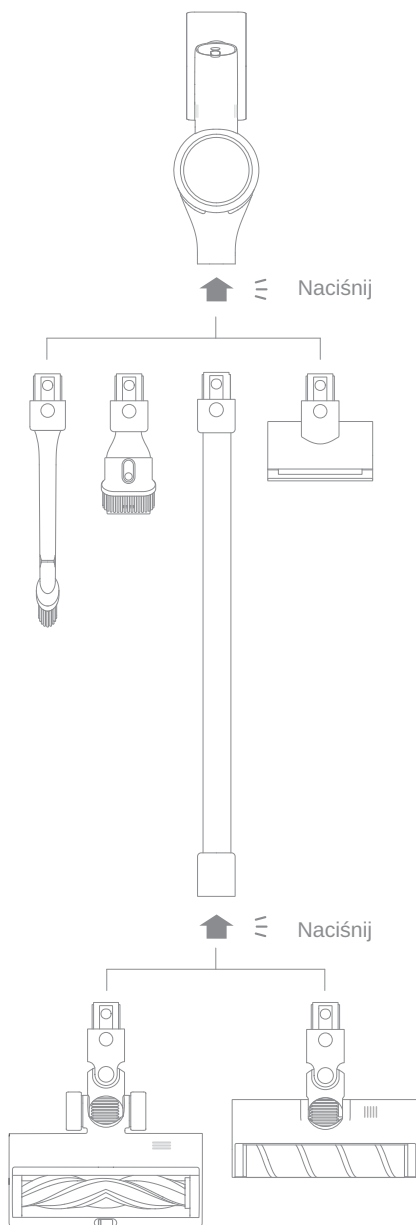
Zasilacz



Miękka szczotka wałkowa

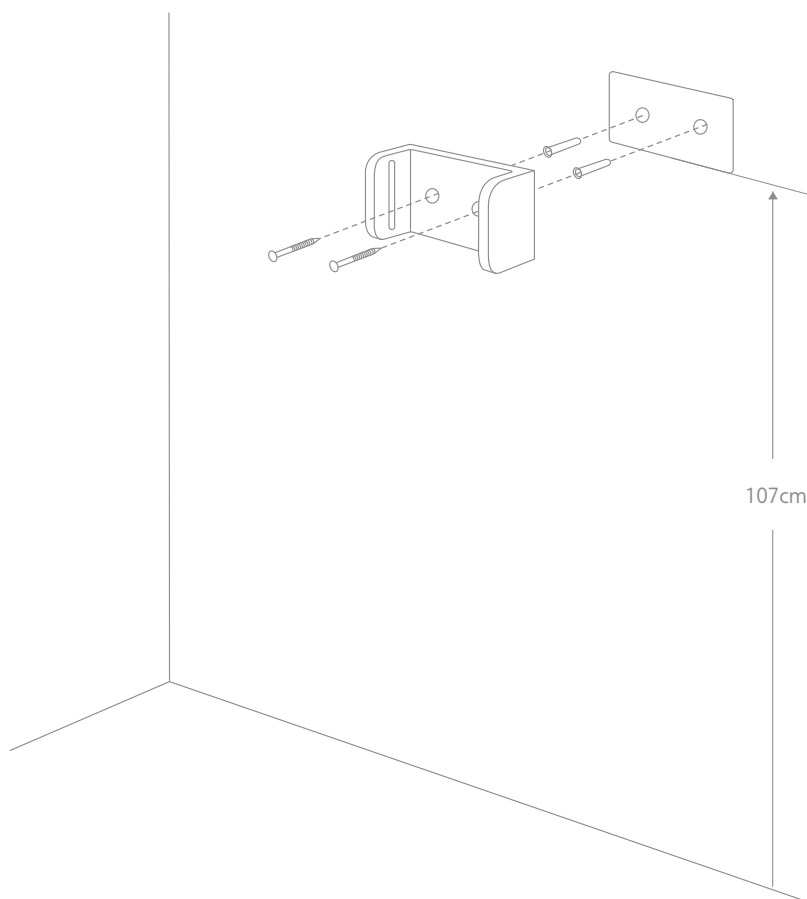
Uwaga: Ilustracje w niniejszej instrukcji mają charakter informacyjny. Rzeczywisty produkt może się różnić.

Montaż



Schemat montażu uchwyty ściennego

1. Przyklej naklejkę z szablonem montażowym na ścianie. Dolna krawędź szablonu montażowego powinna być równoległa do podłoża i znajdować się od niego około 107cm.
2. Za pomocą wiertarki z wiertłem 8mm wywierć otwór w każdym oznaczeniu na naklejce pozycjonującej, a następnie włóż kołki rozporowe do każdego otworu.
3. Wyrównaj otwory na uchwycie z otworami na ścianie. Przymocuj do ściany za pomocą dołączonych śrub.



Uwaga:

- Uchwyt ścienny jest akcesorium opcjonalnym. Możesz go zamontować w zależności od potrzeb.
- Uchwyt ścienny powinien być zamontowany na chłodnej, suchej powierzchni z gniazdem elektrycznym w pobliżu. Przed montażem należy upewnić się, że w przestrzeni bezpośrednio za pozycją montażową nie ma przewodów elektrycznych ani rur.

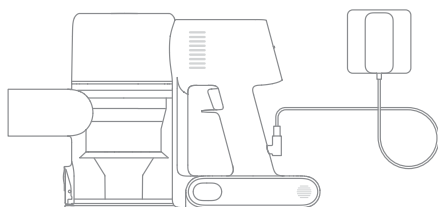
Ładowanie

Odkurzacz nie można używać podczas ładowania.

Uwaga: Pełne naładowanie akumulatora trwa około 4 godziny. Odkurzanie w trybie pełnej mocy przez dłuższy czas spowoduje nagrzanie akumulatora, co wydłuży czas ładowania. Przed ładowaniem zaleca się odstawienie odkurzacza do ostygnięcia na 30 minut.

Sposoby ładowania

Ładowanie odkurzacza za pomocą zasilacza



Wskaźnik LED poziomu akumulatora

- ● ☀ Niski poziom akumulatora
- ☀ ○ Średni poziom akumulatora
- ☀ ○ ○ Akumulator prawie naładowany
- ○ ○ Akumulator naładowany
- Wyłączony ☀ Miganie ○ Włączony



Uwaga: Po pełnym naładowaniu odkurzacza wskaźnik stanu akumulatora wyłączy się po 5 minutach, a odkurzacz przejdzie w tryb oszczędzania energii.

Tryb czyszczenia

Odkurzacz posiada dwie metody pracy, które można wybrać w oparciu o własne potrzeby.

Metoda 1: Tryb nieciągłego czyszczenia

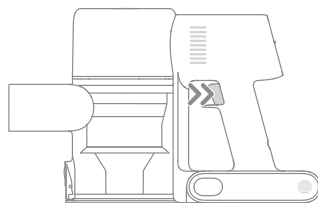
Naciśnij i przytrzymaj przycisk, aby uruchomić czyszczenie lub zwolnij go w celu natychmiastowego zatrzymania.



Metoda 2: Tryb ciągłego czyszczenia (Blokada spustu)

Naciśnij Blokada spustu aby przełączyć się na tryb ciągłego czyszczenia, a następnie naciśnij krótko przełącznik włączania/wyłączania, aby utrzymać odkurzacz w trybie ciągłego czyszczenia.

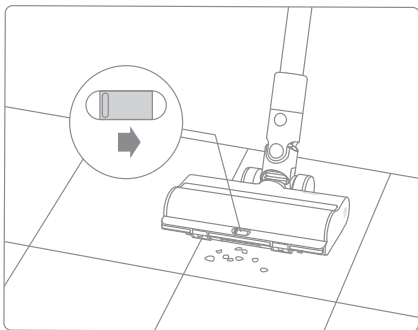
Używanie Blokada spustu uwalnia palce od nadwyrężenia spowodowanego trzymaniem przełącznika.



Uwaga: W tym trybie, wskaźnik blokady będzie świecił światłem stałym. Naciśnij ponownie Blokada spustu, aby zakończyć tryb czyszczenia ciągłego.

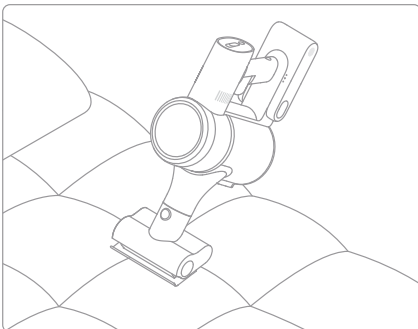
Użytkowanie

Korzystanie z różnych akcesoriów



Zmotoryzowana mini szczotka

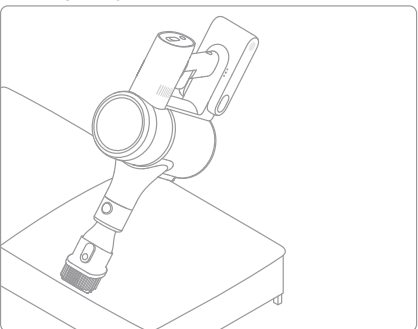
Do czyszczenia kurzu, sierści zwierząt domowych i innych uporczywych zanieczyszczeń z sof, pościeli i innych tkanin.



Uwaga: Nie zaleca się odkurzania na delikatnych powierzchniach, takich jak jedwab.

Narzędzie wielozadaniowe

Do odkurzania kurzu z zasłon, klawiatur, sufitów, sof, wnętrż pojazdów, stolików kawowych itp.



Szczotka wielopowierzchniowa

Nadaje się do odkurzania średnich i grubych dywanów, płytek i podłóg.

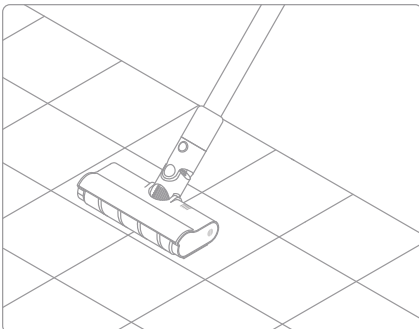
Do wciągania dużych cząstek przez włączenie przełącznika na szczotkę, jak ziarna kawy, płatki kukurydziane itd.

Uwaga:

- Szczotka wielopowierzchniowa może być podłączona bezpośrednio do odkurzacza.
- Po uruchomieniu urządzenia przed szczotką rolkową automatycznie włączy się oświetlenie, co jest wygodne w użyciu.

Miękka szczotka wałkowa

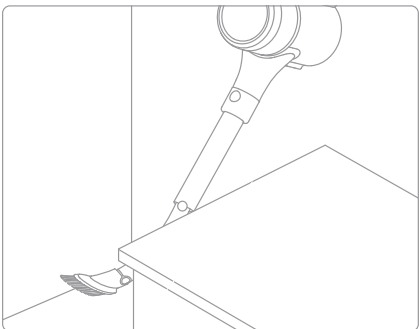
Nadaje się do czyszczenia twardych podłóg, takich jak marmury i płytki.



Uwaga: Miękka szczotka wałkowa może być dołączona bezpośrednio do odkurzacza.

Elastyczny przyrząd wielofunkcyjny

Dysza szczotkowa możliwa do wyginania i schowania; bardziej elastyczna do odkurzania w wąskich szczelinach.



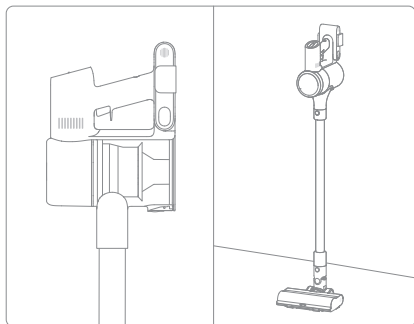
Sposób użycia

Uchwyt ścienny

Odkurzacz może być umieszczony na uchwycie ściennym, gdy nie jest używany.

Uwaga:

- Nie należy umieszczać odkurzacza samego na uchwycie ściennym.
- Umieść go na uchwycie ściennym po połączeniu go z rurą przedłużającą i szczotką wielopowierzchniową.



Uwaga:

- Jeśli jakiegokolwiek ruchomy przedmiot utknie, odkurzacz zostanie automatycznie wyłączony a czyszczenie zostanie kontynuowane po usunięciu wszystkich zablokowanych ciał obcych.
- Jeśli akumulator przegrzeje się, odkurzacz zostanie automatycznie wyłączony. Należy zaczekać, aż temperatura akumulatora powróci do normy, a następnie kontynuować czyszczenie.

Pielęgnacja i konserwacja

Środki ostrożności

- Przed czyszczeniem należy upewnić się, że zasilacz jest odłączony. Należy uważać, aby nie uruchomić urządzenia.
- Należy zawsze używać oryginalnych części, aby gwarancja nie została unieważniona.
- Jeśli odkurzacz nie jest używany przez dłuższy czas, należy go w pełni naładować, odłączyć zasilanie i przechowywać w chłodnym miejscu o niskiej wilgotności, z dala od bezpośredniego światła słonecznego. Aby uniknąć nadmiernego rozładowywania akumulatora, należy ładować odkurzacz co najmniej raz na 3 miesiące.

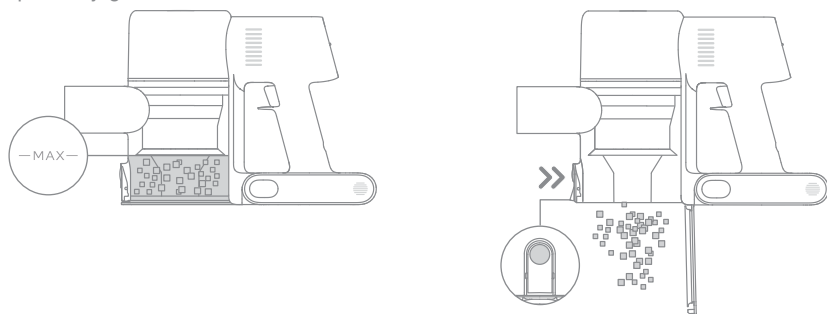
Czyszczenie odkurzacza

Należy używać miękkiej, suchej ściereczki.

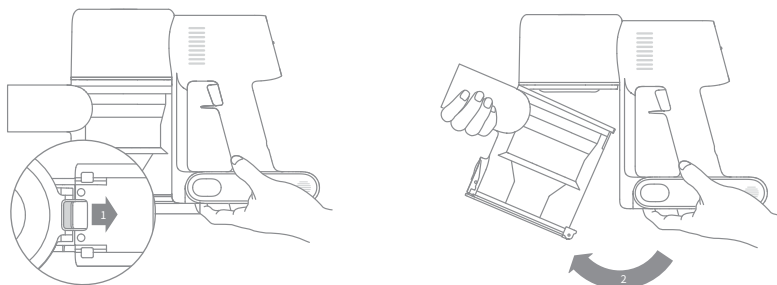
Czyszczenie pojemnika na kurz, filtra wstępnego i zespołu cyklonów

Skuteczność odkurzacza zostanie zmniejszona, jeśli pojemnik na kurz zostanie napełniony do oznaczenia "MAX". Aby przywrócić pierwotną wydajność, należy opróżnić pojemnik na kurz. Przed opróżnieniem pojemnika na kurz należy upewnić się, że odkurzacz jest odłączony od zasilania. Nie należy naciskać przycisku zasilania.

1. Należy nacisnąć przycisk zwalniania dolnej pokrywy pojemnika na kurz, a następnie opróżnić jego zawartość.

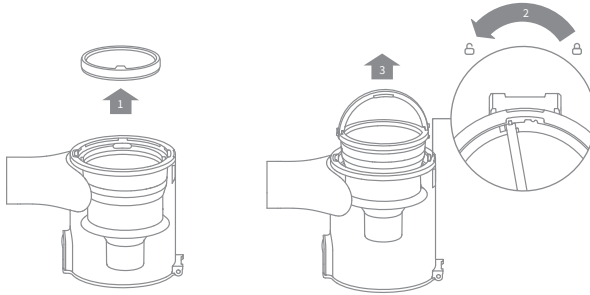


2. Należy wcisnąć przełącznik zwalniania pojemnika na kurz w kierunku wskazanym przez strzałkę, a następnie delikatnie wyjąć pojemnik na kurz z odkurzacza.

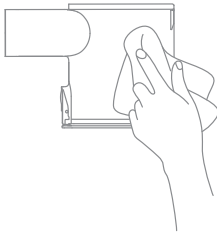


Pielęgnacja i konserwacja

3. W pierwszej kolejności należy wyjąć filtr wstępny, a następnie unieść uchwyty zespołu cyklonów i obrócić w lewo, aż się zatrzyma. Następnie należy pociągnąć, aby wyjąć zespół cyklonów.



4. Należy przetrzeć pojemnik na kurz miękką, wilgotną szmatką. Należy upewnić się, że nadmiar wody został wyciśnięty ze szmatki.



Aby zmniejszyć ryzyko porażenia prądem elektrycznym, nie należy opłukiwać pojemnika na kurz wodą.

5. Należy opłukać pod bieżącą wodą zespół cyklonów oraz filtr wstępny. Po myciu, należy pozostawić do całkowitego wyschnięcia przez co najmniej 24 godziny.



Zespół cyklonów

Filtr wstępny

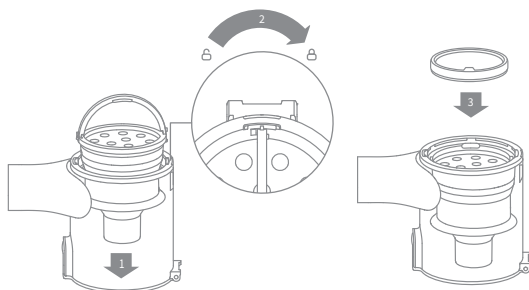
Uwaga:

- Zaleca się czyszczenie pojemnika na kurz przynajmniej raz na miesiąc.
- Zaleca się czyszczenie filtra wstępnego przynajmniej raz na 3 miesiące, a zespołu cyklonów przynajmniej raz na 6 miesięcy.

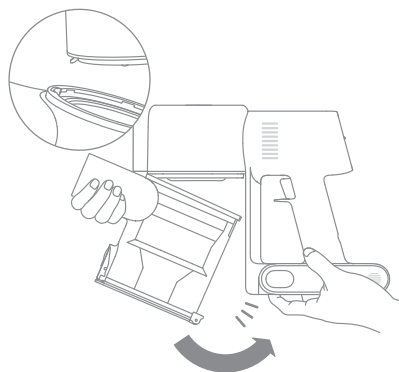
Pielęgnacja i konserwacja

Montaż pojemnika na kurz, filtra wstępnego i zespołu cyklonów

1. Należy włożyć zespół cyklonów pionowo do pojemnika na kurz i upewnić się, że uchwyt zespołu cyklonów jest na równi z wgłębieniem po lewej stronie pojemnika na kurz. Należy obrócić uchwyt zgodnie z ruchem wskazówek zegara, aż się zablokuje, a następnie obrócić uchwyt w dół.
2. Należy umieścić filtr wstępny z jego przednią stroną skierowaną do góry w zespole cyklonów.



3. Należy lekko przechylić pojemnik na kurz, aby jego szczelina była wyrównana z zatrzaskiem na odkurzaczu. Następnie należy delikatnie wsunąć pojemnik na kurz, aż zatrzaśnie się na właściwym miejscu.

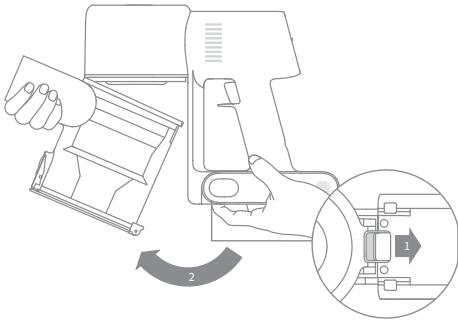


Pielęgnacja i konserwacja

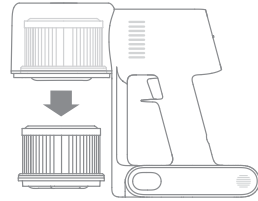
Czyszczenie filtra

Zaleca się czyszczenie filtra raz na 4-6 miesięcy.

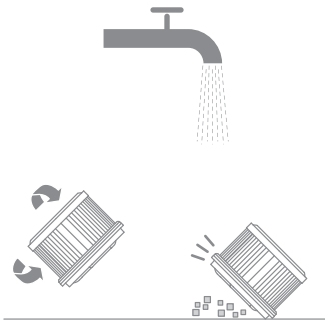
1. Należy zdjąć pojemnik na kurz, jak pokazano na ilustracji.



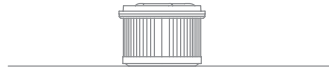
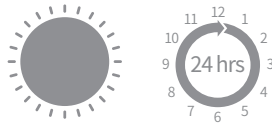
2. Należy wyjąć filtr z odkurzacza, pociągając go w dół w kierunku pokazanym na ilustracji.



3. Należy oczyścić filtr czystą wodą. Należy obracać filtr o 360°, aby dokładnie usunąć wszelki kurz. Następnie należy postukać lekko w filtr kilka razy, aby usunąć nadmiar brudu.



4. Należy pozostawić filtr do wyschnięcia na 24 godziny.



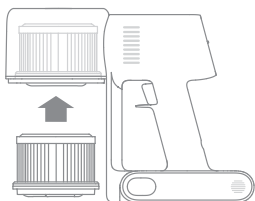
Uwaga:

- Do mycia filtra należy używać wyłącznie czystej wody. Nie należy używać detergentów.
- Nie należy próbować czyścić filtra szczotką ani palcem.

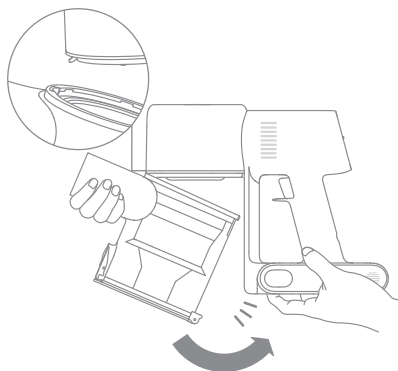
Pielęgnacja i konserwacja

Montaż filtra

1. Włóż filtr do odkurzacza i delikatnie dociśnij, tak, jak pokazano na ilustracji poniżej.



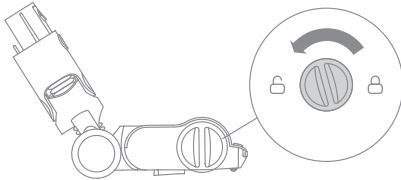
2. Ponownie zamontuj pojemnik na kurz.



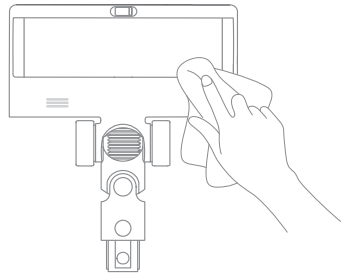
Pielęgnacja i konserwacja

Czyszczenie szczotki wielofunkcyjnej

1. Przekręć blokadę w kierunku przeciwnym do ruchu wskazówek zegara, aż się zatrzyma, a następnie wyjmij wałek ze szczotki rolkowej.



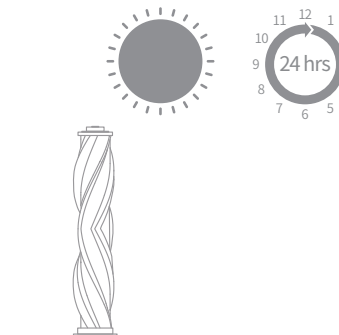
2. Za pomocą nożyczek przetnij włosy i włókna, które utknęły na wałku szczotki. Wytrzyj kurz z nacięcia i przezroczystej pokrywy suchą szmatką lub papierowym ręcznikiem. Dokładnie wysusz przed użyciem.



3. Jeśli zabrudzony, przepłucz wałek szczotki czystą wodą, aż będzie czysty.

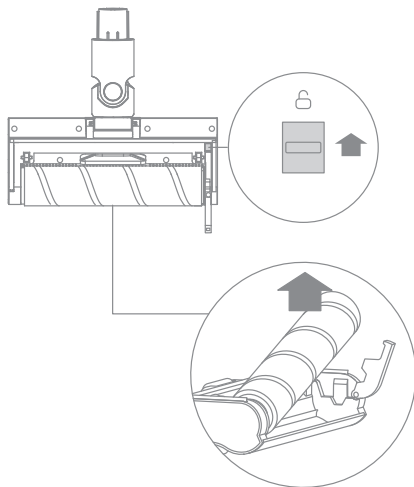


4. Postaw wałek szczotki w pozycji pionowej na co najmniej 24 godziny, aż do całkowitego wyschnięcia.

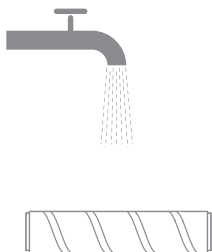


Czyszczenie miękkiej szczotki wałkowej

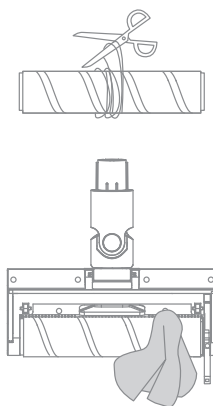
1. Jak pokazano na rysunku, naciśnij przycisk zwalnający szczotkę wałkową, aby ją wyjąć z uchwytu.



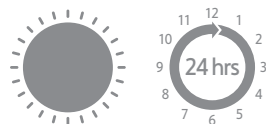
3. Jeśli zabrudzony, przepłucz wałek szczotki czystą wodą, aż będzie czysty.



2. Za pomocą nożyczek przetnij włosy i włókna, które utknęły na wałku szczotki. Wytrzyj kurz z nacięcia i przezroczystej pokrywy suchą szmatką lub papierowym ręcznikiem. Dokładnie wysusz przed użyciem.



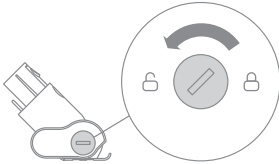
4. Postaw wałek szczotki w pozycji pionowej na co najmniej 24 godziny, aż do całkowitego wyschnięcia.



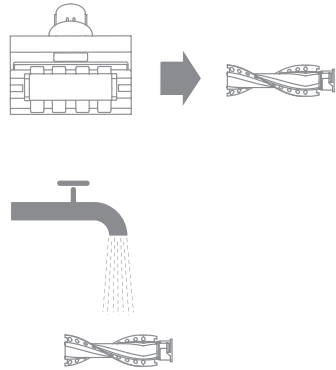
Pielęgnacja i konserwacja

Czyszczenie elektrycznej mini szczotki

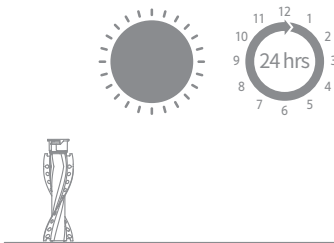
1. Użyć pokrętki, jak pokazano na rysunku, aby obrócić blokadę w lewo, aż usłyszysz kliknięcie.



2. Po odblokowaniu zmotoryzowanej mini-szczotki, wyjmij wałek szczotki, a następnie oplucz i wyczyść go.



3. Postaw wałek szczotki w pozycji pionowej w dobrze wentylowanym miejscu przez co najmniej 24 godziny, aż do całkowitego wyschnięcia.



4. Po wyschnięciu wałka szczotki zamontuj go ponownie, wykonując czynności demontażu w odwrotnej kolejności.

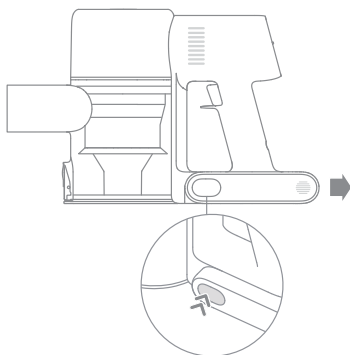


Pielęgnacja i konserwacja

Akumulator

Odkurzacz zawiera wymienny akumulator litowo-jonowy, który ma ograniczoną liczbę cykli ładowania. Po dłuższym użyciu akumulator może nie zostać naładowany. Jeśli tak się stanie, oznacza to, że akumulator osiągnął koniec żywotności i wymaga wymiany.

1. Naciśnij przycisk zwalniania akumulatora i przesuń akumulator w prawo, w celu wyjęcia go, tak, jak pokazano na ilustracji poniżej.
2. Zamontuj nowy akumulator.



Dane techniczne

Odkurzacz			
Model	VTV41B		
Napięcie ładowania	30 V ---	Napięcie znamionowe	25,2 V ---
Moc znamionowa	425 W	Czas ładowania	około 4 godziny
Zmotoryzowana mini szczotka			
Model	VMM4		
Moc znamionowa	20 W	Napięcie znamionowe	25,2 V ---
Szczotka wielopowierzchniowa			
Model	VMB3		
Moc znamionowa	40 W	Napięcie znamionowe	25,2 V ---
Miękka szczotka wałkowa			
Model	ASF4		
Moc znamionowa	40 W	Napięcie znamionowe	25,2 V ---
Zasilacz			
Model	YLS0251B-E300080		
Wejście	100-240 V \sim 50/60 Hz 0,8 A max	Wyjście	30 V --- 0,8 A
Średnia sprawność podczas pracy	88,53%	Wydajność przy niskim obciążeniu (10%)	78,66%
Pobór mocy bez obciążenia		0,09 W	
Akumulator litowo-jonowy			
Model	V2213-7S1P-BCA		
Napięcie znamionowe	25,2 V ---	Pojemność nominalna	3000 mAh
Pojemność znamionowa	2800 mAh	Prąd	70,56 Wh

Najczęściej zadawane pytania

Jeśli odkurzacz nie działa prawidłowo, należy zapoznać się z poniższą tabelą rozwiązywania problemów.

Błędy	Możliwe przyczyny	Rozwiązania
Odkurzacz nie działa.	Odkurzacz jest rozładowany lub poziom akumulatora jest niski.	Należy naładować akumulator w pełni i kontynuować użytkowanie.
	Tryb ochrony przed przegrzaniem został wywołany blokadą.	Należy oczyścić otwory ssące lub kanał powietrzny. Poczekaj aż temperatura urządzenia spadnie i uruchom je ponownie.
	Otwór ssący lub kanał powietrzny jest zablokowany.	Należy usunąć wszelkie ciała obce z otworu ssącego lub kanału powietrznego.
Słaba siła ssania.	Pojemnik na kurz jest pełny i/lub filtr jest zatkany.	Należy opróżnić pojemnik na kurz i wyczyścić filtr.
	Akcesoria są zablokowane.	Należy oczyścić akcesoria z wszelkich ciał obcych.
Silnik wydaje dziwny dźwięk.	Główny otwór ssący lub przedłużenie jest zablokowane.	Należy oczyścić główny otwór ssący lub przedłużenie z wszelkich ciał obcych.
Po włączeniu odkurzacza pierwszy wskaźnik zapalił się na czerwono.	Akumulator jest uszkodzony.	Prosimy skontaktować się z działem obsługi posprzedażowej.
W czasie ładowania pierwszy wskaźnik zapalił się na czerwono.	Zasilacz jest niewłaściwy.	Należy używać wyłącznie oryginalnej ładowarki w celu ładowania odkurzacza.

Najczęściej zadawane pytania

Błędy	Możliwe przyczyny	Rozwiązania
Wskaźnik akumulatora nie świeci się w czasie ładowania.	Zasilacz nie jest podłączony do odkurzacza.	Upewnij się, że zasilacz jest prawidłowo podłączony.
	Akumulator jest w pełni naładowany i przeszedł w tryb uśpienia.	Odkurzacze może być normalnie użytkowany.
	Jeśli po wykluczeniu powyższych dwóch możliwości problem nadal występuje.	Proszę skontaktować się z biurem obsługi posprzedażowej.
Odkurzacze ładuje się powoli.	Temperatura akumulatora jest za niska lub za wysoka.	Należy zaczekać i kontynuować użytkowanie, kiedy temperatura akumulatora wróci do normy.
Światła LED szczotki wielopowierzchniowej nie działają.	Światła LED są uszkodzone.	Proszę skontaktować się z biurem obsługi posprzedażowej.

Akumulator litowo-jonowy zawiera substancje, które są niebezpieczne dla środowiska. Przed utylizowaniem odkurzacza należy wyjąć akumulator, a następnie wyrzucić go lub poddać recyklingowi zgodnie z lokalnymi przepisami i regulacjami kraju lub regionu, w których jest używany.

Informacje dot. utylizacji w UE (WEEE)



Wszystkie produkty opatrzone tym symbolem są zużytym sprzętem elektrycznym i elektronicznym (WEEE, jak w dyrektywie 2012/19/UE), którego nie należy mieszać z niesortowanymi odpadami komunalnymi. Należy chronić zdrowie ludzkie i środowisko poprzez przekazanie sprzętu specjalnemu punktowi zbiórki odpadów do recyklingu zużytego sprzętu elektrycznego i elektronicznego, wyznaczonego przez władze rządowe lub lokalne. Prawidłowa utylizacja i recykling pomogą zapobiec potencjalnym negatywnym skutkom dla środowiska i zdrowia ludzkiego. Aby uzyskać więcej informacji na temat lokalizacji oraz warunków takich punktów zbiórki, należy skontaktować się z producentem lub władzami lokalnymi.

Veiligheidsinstructies

Om ongelukken, waaronder elektrische schokken of brand, door onjuist gebruik te voorkomen, dient u deze handleiding zorgvuldig door te lezen en deze voor toekomstig gebruik te bewaren.

Waarschuwing

- Dit product mag niet zonder toezicht van een ouder of voogd worden gebruikt door kinderen jonger dan 8 jaar of personen met fysieke, zintuigelijke of geestelijke tekortkomingen of met beperkte ervaring of kennis, om een veilige bediening te waarborgen en risico's te vermijden. Schoonmaken en onderhoud mogen niet door kinderen worden uitgevoerd zonder toezicht.
- Deze stofzuiger is geen speelgoed. Kinderen mogen niet met dit product spelen en het niet gebruiken. Wees voorzichtig als u de stofzuiger in de buurt van kinderen gebruikt. Laat kinderen de stofzuiger niet schoonmaken of onderhouden zonder dat ze onder toezicht van een ouder of voogd staan.
- Gebruik de stofzuiger niet buiten of op natte oppervlakken. Gebruik de stofzuiger alleen binnen, op droge oppervlakken. Raak de stekker of onderdelen van de stofzuiger nooit met natte handen aan.
- Om het risico op brand, explosies of verwondingen te verkleinen dient u er vóór gebruik op te letten dat de lithiumbatterij en de oplader onbeschadigd zijn. Gebruik de stofzuiger niet als de lithiumbatterij of de oplader beschadigd is.
- De multi-oppervlakteborstel, de zachte rolborstel, de gemotoriseerde miniborstel, de batterij, de metalen verbindingspin en de stofzuiger zijn elektrisch geleidend en mogen niet in water of een andere vloeistof worden ondergedompeld. Droog na het reinigen altijd alle filters.
- Voorkom verwondingen veroorzaakt door bewegende onderdelen. Schakel de stofzuiger uit voordat u de borstel voor meerdere oppervlakken en de zachte rolborstel reinigt. De borstel voor meerdere oppervlakken, de zachte rolborstel, het stofreservoir en het filter moeten allemaal goed geplaatst zijn voordat u de stofzuiger gebruikt.
- Gebruik alleen de originele oplader. Gebruik nooit een niet-originele oplader, omdat dit ervoor kan zorgen dat de lithiumbatterij in brand vliegt.
- Gebruik de stofzuiger niet om ontvlambare of brandbare vloeistoffen zoals benzine, bleekmiddel, ammoniak, ontstoppers of andere vloeistoffen mee op te zuigen.
- Gebruik de stofzuiger niet om scherpe of harde voorwerpen zoals glas, spijkers, schroeven of munten mee op te zuigen, dit kan het apparaat beschadigen. Gebruik de stofzuiger niet om gipsplaatdeeltjes, as uit een open haard of brandende materialen zoals kolen, sigaretten of lucifers mee op te zuigen.
- Controleer het te reinigen oppervlak voordat u begint. Om te voorkomen dat openingen verstopt raken dient u papier, plastic, doekjes of scherpe voorwerpen (zoals glas, spijkers, schroeven, munten, etc...) of ieder voorwerp dat groter is dan de openingen, te verwijderen.
- Houd haar, losse kleding, vingers en andere lichaamsdelen uit de buurt van de openingen in de stofzuiger en bewegende onderdelen. Richt het verlengstuk, de

staaf of het gereedschap niet op uw ogen of oren en stop ze niet in uw mond.

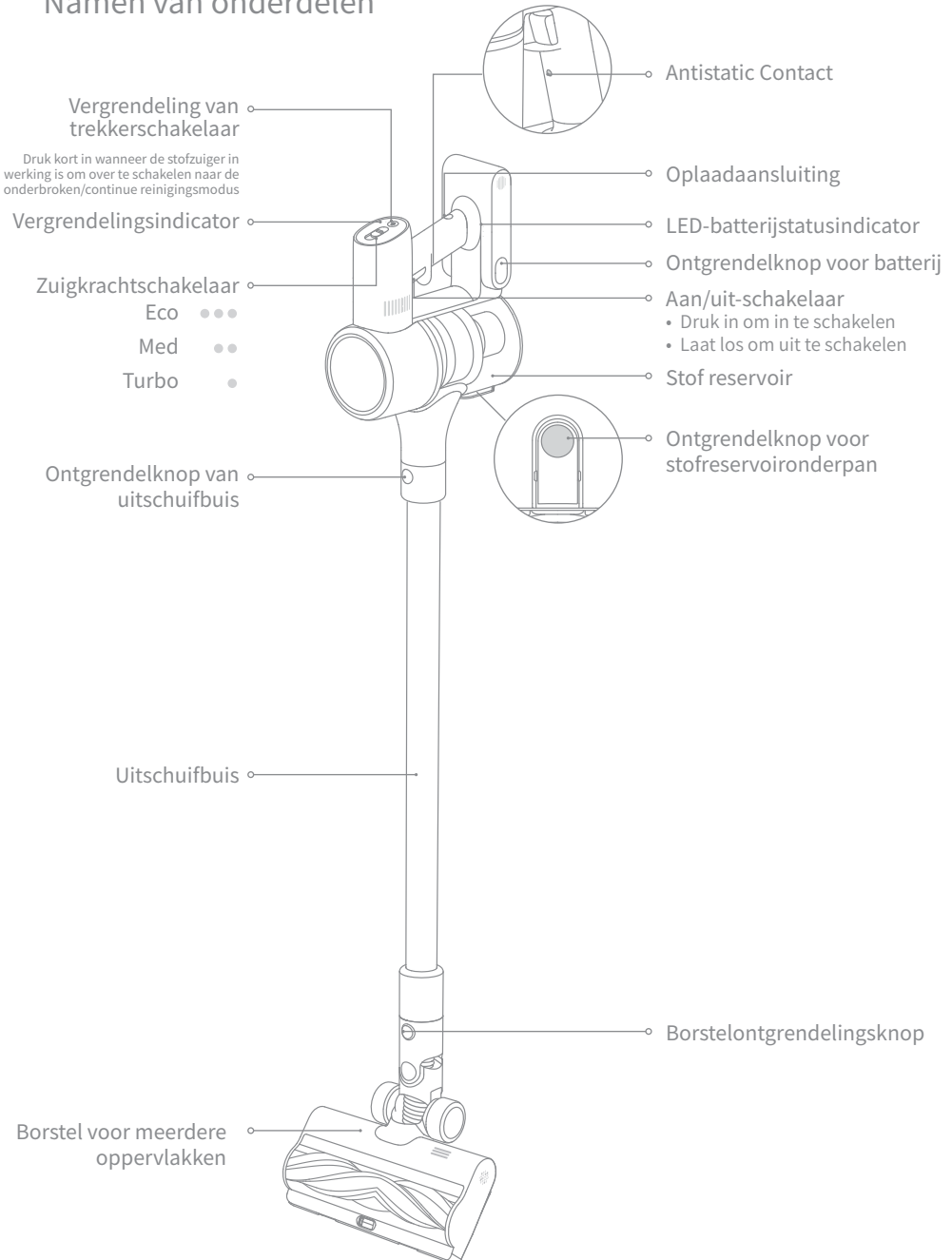
- Steek geen voorwerpen in de openingen van de stofzuiger. Gebruik de stofzuiger niet als er een opening geblokkeerd is. Houd de openingen vrij van stof, pluizen, haar of andere materialen die de luchtstroom kunnen verminderen.
- Laat de stofzuiger niet tegen een stoel, tafel of andere onstabiele voorwerpen rusten, dit kan beschadigingen aan het toestel of verwondingen veroorzaken. Als de stofzuiger beschadigd raakt doordat deze is gevallen of een storing heeft, neem dan contact op met onze servicedesk. Probeer nooit zelf het apparaat te demonteren.
- Alle instructies in de handleiding t.a.v. het opladen van de batterij moeten strict gevolgd worden. Het niet opladen van de batterij binnen het aangegeven temperatuurbereik kan de batterij beschadigen.
- Gebruik alleen accessoires en vervangingsonderdelen die door de fabrikant worden aanbevolen.
- Wees extra voorzichtig bij het stofzuigen van de trap.
- Zorg dat de stekker niet in het stopcontact zit als de stofzuiger lange tijd niet gebruikt wordt, en voordat er onderhoudswerkzaamheden of reparaties aan verricht worden.
- Gebruik en installeer dit product niet buiten, in badkamers of in de buurt van een zwembad, en laad het daar ook niet op.
- Waarschuwing voor brandgevaar: doe geen geurstoffen in het filter van de stofzuiger. Dit soort producten bevatten brandbare chemicaliën die ervoor kunnen zorgen dat de stofzuiger in brand vliegt.
- Gebruik alleen een originele oplader (Model YLS0251B-E300080). Zo niet, dan kan hierdoor de lithiumbatterij in brand vliegen.
- Gebruik alleen het aangegeven batterijtype (Model V2213-7S1P-BCA). Zo niet, dan kan hierdoor de lithiumbatterij in brand vliegen.
- Als er batterijmateriaal vrijkomt, verwijdert u personeel uit de omgeving totdat de batterijen zijn afgekoeld en de dampen zijn verdwenen.
- Zorg voor maximale ventilatie om gevaarlijke gassen af te voeren en vermijd contact met huid en ogen of inademing van dampen.
- Verwijder gemorste vloeistof met een absorberend middel en verbrand het afval.
- Gebruik en berg niet op in extreem hete of koude ruimtes (lager dan 0°C /32°F of hoger dan 40°C /104°F). Laad de snoerloze stofzuiger alleen op in temperaturen boven 0°C /32°F en onder 40°C /104°F.
- Dit product is alleen voor thuisgebruik bedoeld.

We Dreame Trading (Tianjin) Co., Ltd. verklaart hierbij, dat dit apparaat in overeenstemming is met de betreffende Richtlijnen en Europese Normen en herzieningen hieraan. De volledige tekst van de EU-conformiteitsverklaring is beschikbaar via het volgende internetadres: <https://global.dreametech.com>

Voor een gedetailleerde digitale handleiding zie <https://global.dreametech.com/pages/user-manuals-and-faqs>

Productoverzicht

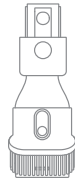
Namen van onderdelen



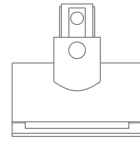
Accessories



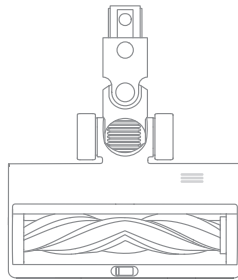
Uitschuifbuis



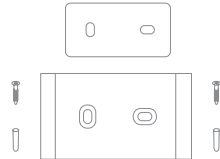
Breed
combinatiegereedschap



Gemotoriseerde
miniborstel



Borstel voor meerdere
oppervlakken



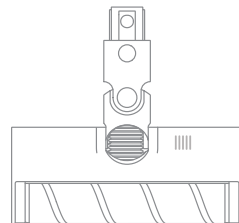
Muurbevestiging
(inclusief schroef
×2, muurplug ×2 en
montagesjabloonsticker)



Flexibel
combinatiegereedschap



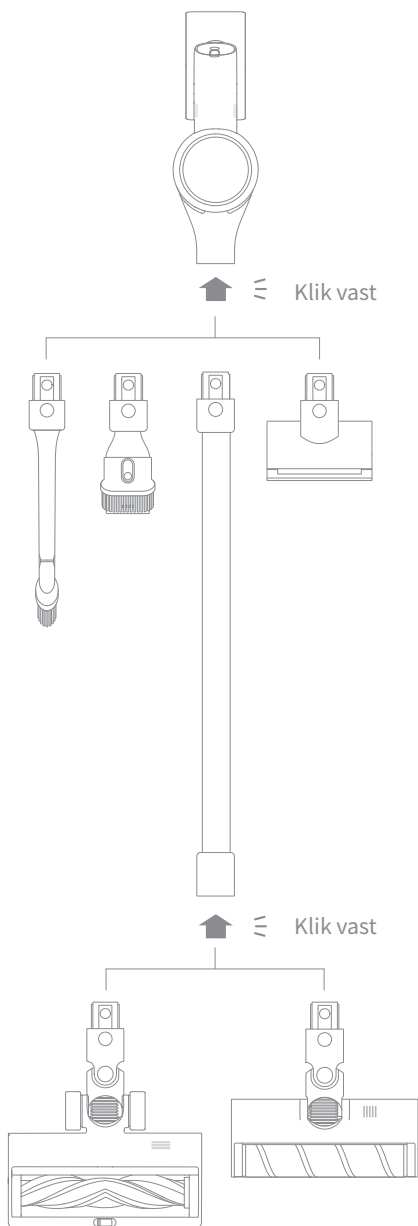
Oplader



Zachte rolborstel

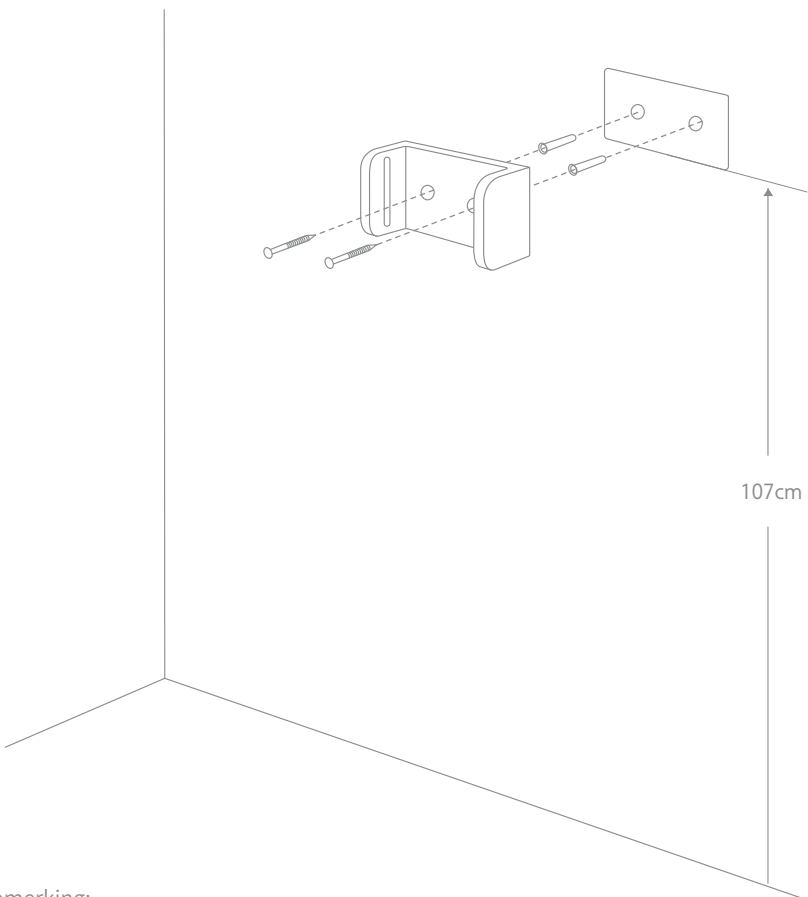
Opmerking: de afbeeldingen in deze handleiding zijn slechts ter illustratie. Het werkelijke product kan er anders uitzien.

Installatie



Installatieschema voor muurbevestiging

1. Plak de montagesjabloonsticker op de muur. De onderste rand van de montagesjabloonsticker moet zich evenwijdig aan en ongeveer 107 cm van de vloer bevinden.
2. Gebruik een elektrische boormachine met een boor van 8 mm dikte en boor een gat op de plek van iedere markering op het sjabloon, en doe de pluggen in de gaten.
3. Lijn de gaten op de bevestiging uit met de gaten in de muur. Draai de schroeven in de muur om de beugel vast te zetten.



Opmerking:

- De muurbevestiging is een optioneel accessoire. U hoeft deze niet persé te installeren.
- De muurbevestiging moet worden geïnstalleerd op een koele, droge ondergrond met een stopcontact in de buurt. Controleer vóór de installatie of er zich geen elektrische draden of leidingen in de ruimte direct achter de installatiepositie bevinden.

Opladen

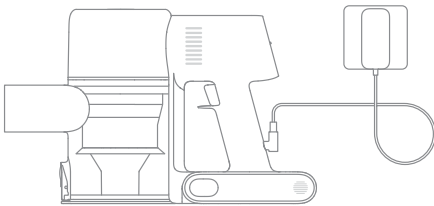
Laad de stofzuiger volledig op voordat u deze vóór het eerst gebruikt.

Opmerking:

- Volledig opladen duurt ongeveer 4 uur.
- Van het langdurig gebruik van de Turbomodus wordt de batterij erg warm, dat verhoogt de oplaadtijd. Laat de stofzuiger 30 minuten afkoelen voordat u het oplaadt.

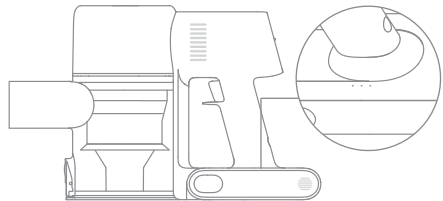
Opladmethoden

Opladen van de stofzuiger met de oplader



LED-batterijstatusindicator

- ● ☼ Batterij bijna leeg
- ☼ ○ Halfvolle batterij
- ☼ ○ ○ Bijna vol
- ○ ○ Volledig opgeladen



- Uit ☼ Knipperend ○ Aan

Opmerking: Als de stofzuiger volledig is opgeladen gaan de indicatielampjes na 5 minuten uit, en schakelt de stofzuiger in de energiebesparingsmodus.

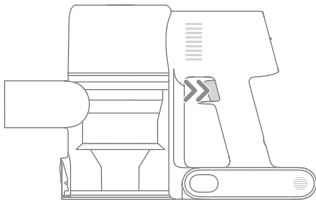
Hoe te gebruiken

Werkmethoden

Er zijn twee werkmethode voor de stofzuiger, die naar believen kunnen worden gekozen.

Methode 1: niet-continue zuigmodus

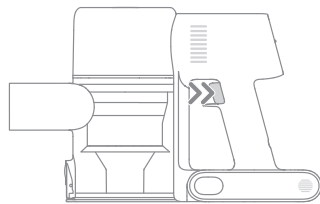
Houd de knop op de stofzuiger ingedrukt om te zuigen. Bij loslaten van de knop stopt het zuigen onmiddellijk.



Methode 2: continue zuigmodus (Vergrendeling van trekkerschakelaar)

Klik op de vergrendeling van de trekkerschakelaar om over te schakelen naar de continue reinigingsmodus wanneer de stofzuiger in werking is. Laat vervolgens de Aan/Uit-schakelaar los om de stofzuiger in de continue reinigingsmodus te schakelen.

Gebruik de vergrendeling van de trekkerschakelaar om uw vingers vrij te maken en te voorkomen dat uw vingers moe worden van het vasthouden van de schakelaar.

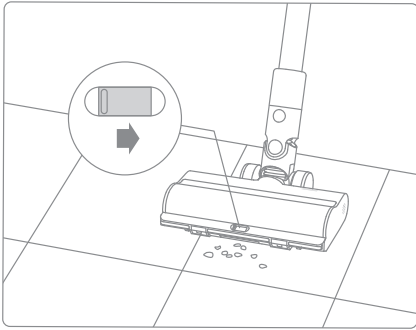


Opmerking:

- In deze modus zal de vergrendelingsindicator constant branden.
- Klik nogmaals op de vergrendeling van de trekkerschakelaar om de continue reinigingsmodus te verlaten.

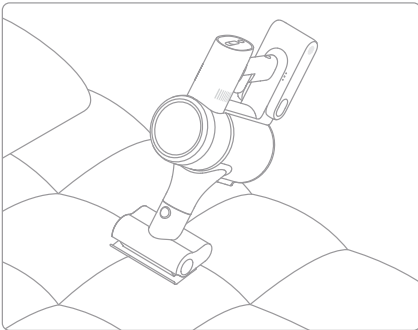
Hoe te gebruiken

Het gebruik van de diverse accessoires



Gemotoriseerde miniborstel

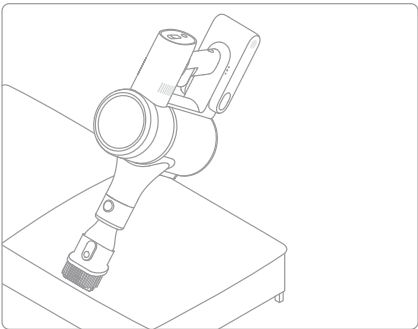
Voor het opzuigen van vuil, huisdierenhaar en ander moeilijk te verwijderen vuil vanaf banken, beddegoed en andere stoffen oppervlakken.



Opmerking: het is niet aan te raden de stofzuiger te gebruiken op kwetsbare oppervlakken zoals zijde.

Breed combinatiegereedschap

Voor het zuigen van gordijnen, toetsenborden, plafonds, banken, voertuiginterieurs, koffietafels e.d.



Borstel voor meerdere oppervlakken

Voor het zuigen van vloeren van marmer, tegels en laagpolig tapijt.

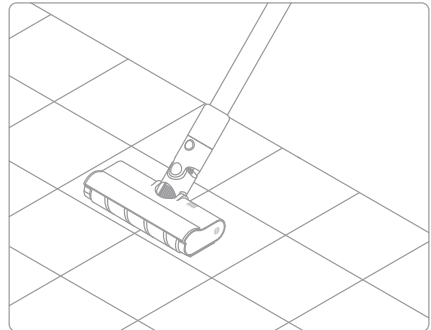
Zet de schakelaar voor het opzuigen van grote deeltjes aan om grote deeltjes, zoals koffiebonen, cornflakes, enz. op te zuigen.

Opmerking:

- De borstel voor meerdere oppervlakken kan direct aan de stofzuiger worden bevestigd.
- Wanneer het apparaat start, gaan de lampjes voor de borstelrol automatisch branden, wat handig is voor het gebruik.

Zachte rolborstel

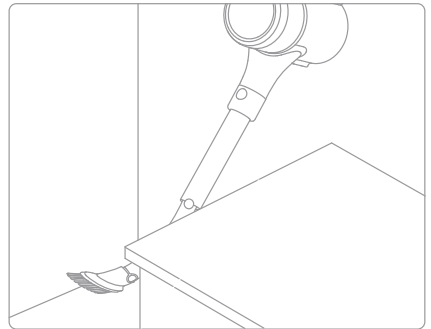
Geschikt voor het reinigen van harde vloeren, zoals marmer en tegels.



Opmerking: De zachte rolborstel kan rechtstreeks op de stofzuiger worden vastgezet.

Flexibel combinatiegereedschap

Buigbare en intrekbare borstelmondstuk, flexibeler om in nauwe openingen te stofzuigen.



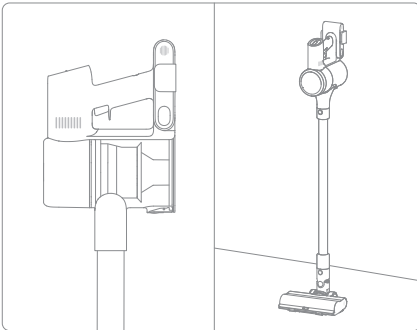
Hoe te gebruiken

Muurbevestiging

De stofzuiger kan op de muurbevestiging worden geplaatst wanneer deze niet wordt gebruikt.

Opmerking:

- Plaats de stofzuiger niet alleen op de muurbevestiging.
- Plaats het op de muurbevestiging nadat u het met de verlengstang en de borstel voor meerdere oppervlakken hebt verbonden.



Opmerking:

- Als een draaiend onderdeel vast komt te zitten kan de stofzuiger automatisch uitschakelen. Verwijder vastzittende vreemde voorwerpen en begin opnieuw.
- Als de batterij oververhit raakt, schakelt de stofzuiger zich automatisch uit. Wacht totdat de batterij is afgekoeld en begin opnieuw.

Zorg en onderhoud

Tips:

1. Gebruik altijd originele onderdelen zodat uw garantie niet verloopt.
2. Als het filter of de mond verstopt raakt gaat de stofzuiger uit, kort nadat deze is aangezet. Haal de rommel uit de buis en begin opnieuw.
3. Als de stofzuiger een lange periode niet gebruikt wordt, trek dan de stekker van de oplader uit het stopcontact en bewaar deze op een koele plaats met een lage vochtigheid, en niet in direct zonlicht. Om overontlading van de batterij te voorkomen dient u de stofzuiger tenminste iedere drie maanden op te laden.

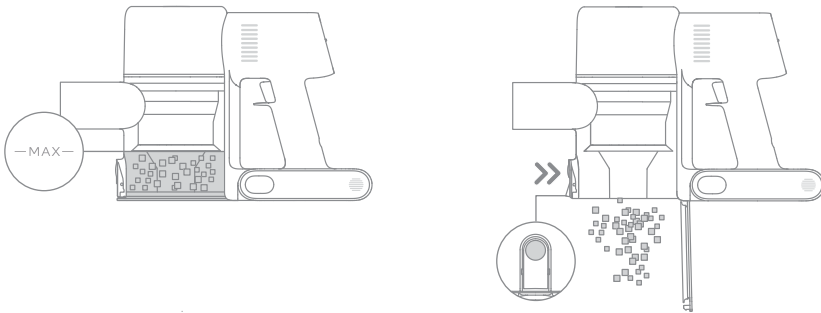
De stofzuiger schoonmaken

Veeg de stofzuiger af met een zachte, droge doek.

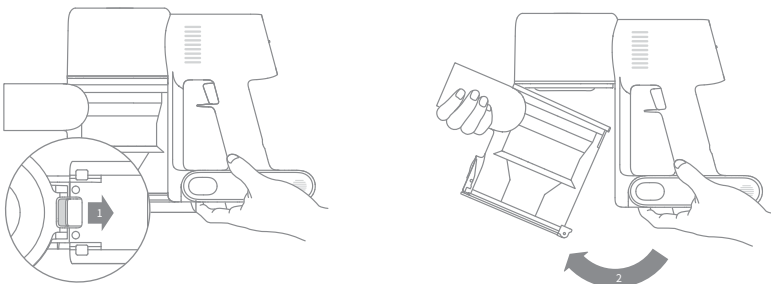
Het stofreservoir, het voorfilter en de cycloonbehuizing schoonmaken

De stofzuiger zuigt minder goed als het stofreservoir is gevuld tot de "MAX"-markering. Om de werking weer te verbeteren dient u tijdig het stofreservoir te legen. Voordat u het reservoir leegmaakt, dient u de stekker uit het stopcontact te trekken, en de aan/uit-knop niet in te drukken.

1. Druk op de ontgrendelknop vbdempan an op het stofreservoir en maak deze leeg.

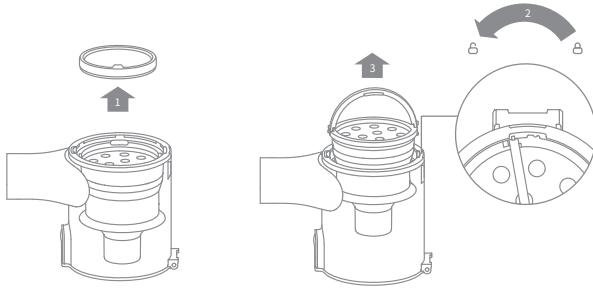


2. Druk de ontgrendeling van het stofreservoir in de richting van de pijl, en verwijder het stofreservoir voorzichtig uit de stofzuiger.

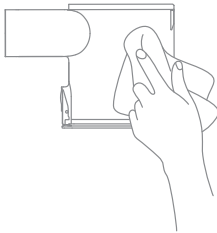


Zorg en onderhoud

3. Verwijder eerst het voorfilter, trek aan de hendel op de cycloonbehuizing en draai deze naar links totdat deze niet verder kan, trek vervolgens de cycloonbehuizing omhoog.

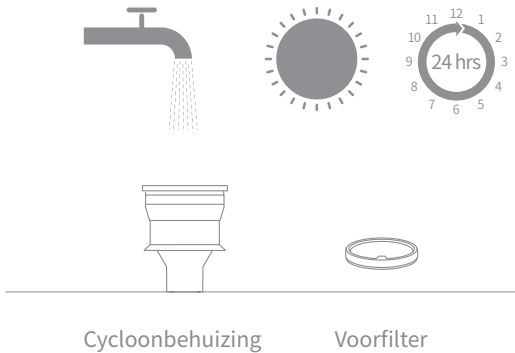


4. Veeg de stofbak af met een zachte, natte doek. Let op het uitwringen van de doek voor gebruik.



Spoel de stofbak niet met water af om het risico op elektrische schokken te verminderen.

5. Spoel de cycloonbehuizing en het voorfilter af totdat ze schoon zijn. Laat ze tenminste 24 uur drogen.



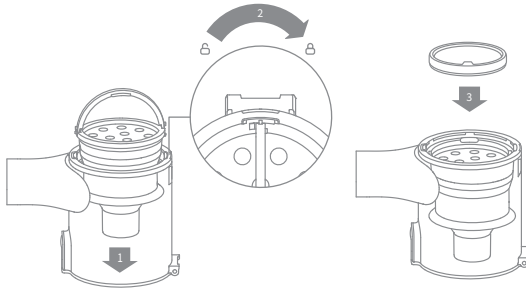
Opmerking:

- Het wordt aangeraden om het stofreservoir eenmaal per maand te reinigen.
- Het wordt aangeraden om het voorfilter tenminste eenmaal per 3 maanden te reinigen, en het cycloonsysteem tenminste eenmaal per 6 maanden.

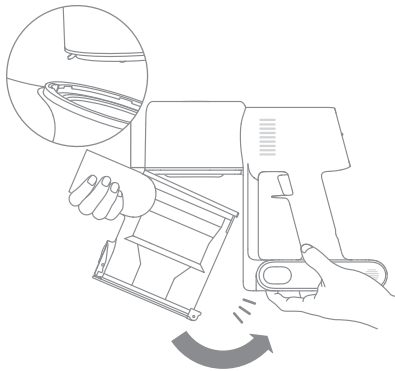
Zorg en onderhoud

Het stofreservoir, het voorfilter en de cycloonbehuizing installeren

1. Plaats de cycloonbehuizing verticaal in het stofreservoir en zorg ervoor dat de hendel op de cycloonbehuizing tegenover de sleuf aan de linkerkant van het stofreservoir zit. Draai de hendel rechtsom totdat deze vastklikt, en duw dan de hendel omlaag.
2. Plaats het voorfilter met de voorzijde naar boven in de cycloonbehuizing.



3. Kantel het stofreservoir een klein beetje zodat de sleuf tegenover de beugel op de stofzuiger zit. Druk vervolgens voorzichtig het stofreservoir naar beneden totdat deze vastklikt.

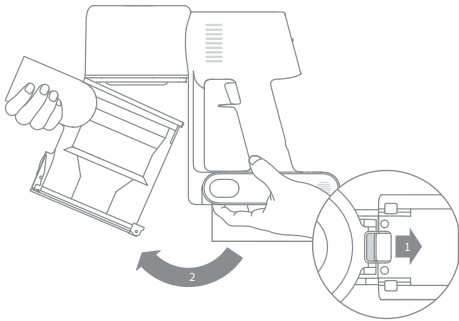


Zorg en onderhoud

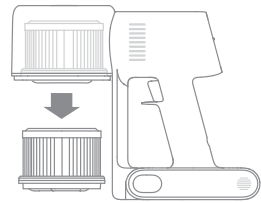
Het filter schoonmaken

Het wordt aangeraden om het filter eenmaal per 4 à 6 maanden schoon te maken.

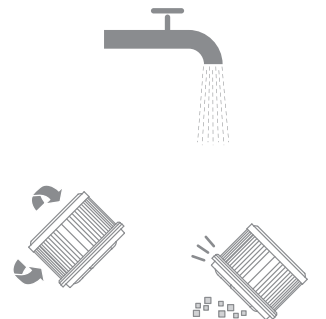
1. Verwijder het stofreservoir zoals aangegeven in de afbeelding.



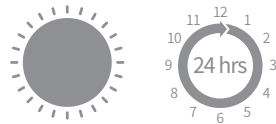
2. Verwijder het filter uit de stofzuiger door deze omlaag te trekken in de richting zoals aangegeven in de afbeelding.



3. Reinig het filter met schoon water. Zorg dat u het filter 360° draait zodat al het stof uit het filter komt. Klop een paar keer voorzichtig op het filter om overgebleven stof te verwijderen.



4. Laat het filter 24 uur drogen.



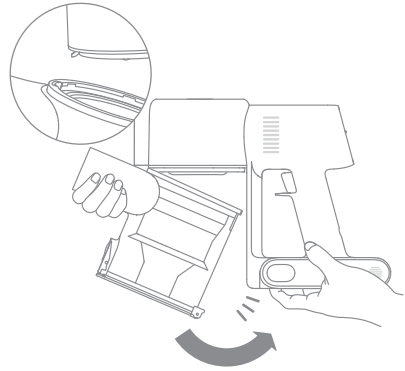
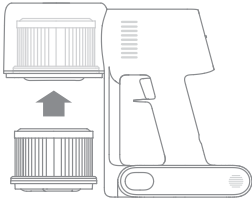
Opmerking:

- Gebruik alleen schoon water om het filter te wassen. Gebruik geen schoonmaakmiddel.
- Probeer het filter niet met een borstel of met uw vingers te reinigen.

Zorg en onderhoud

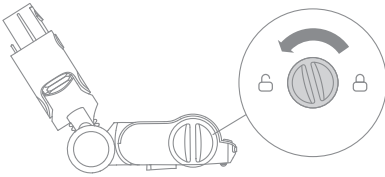
Het filter installeren

1. Plaats het filter in de stofzuiger en druk het voorzichtig aan, zoals aangegeven.
2. Monteer het stofreservoir opnieuw.

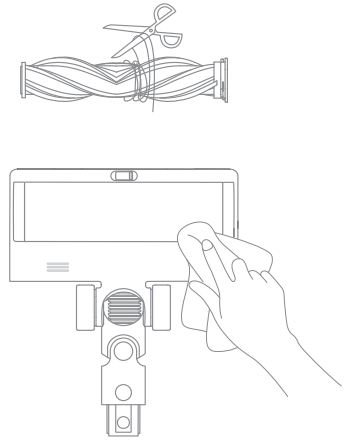


De Borstel voor meerdere oppervlakken schoonmaken

1. Draai de vergrendeling linksom totdat deze stopt en verwijder vervolgens de rol van de rolborstel.



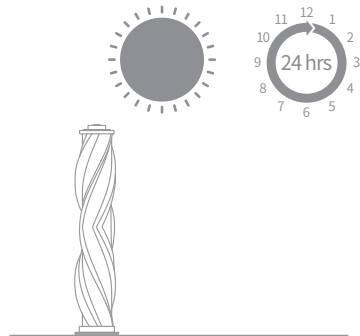
2. Gebruik een schaar om de haren en vezels af te knippen die aan de borstelrol vastzitten. Veeg het stof met een droge doek of keukenpapier uit de inkeping en de doorzichtige behuizing. Laat het vóór gebruik goed drogen.



3. Als het vuil is, spoel de borstelrol dan met schoon water totdat deze schoon is.

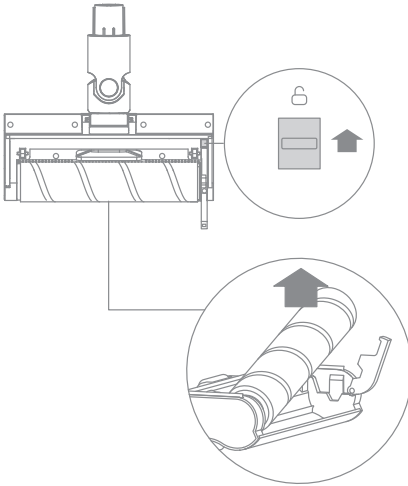


4. Zet de borstelrol 24 uur rechtop totdat deze volledig droog is.

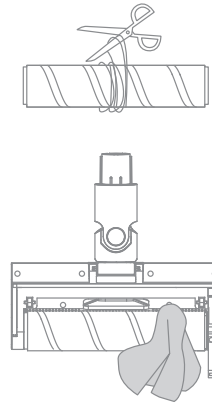


De zachte rolborstel reinigen

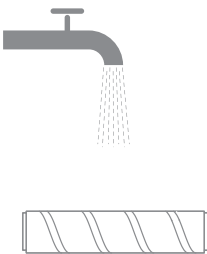
1. Zoals op de afbeelding is weergegeven, drukt u op de ontgrendelingsknop van de borstelrol om de rol uit de gleuf te verwijderen.



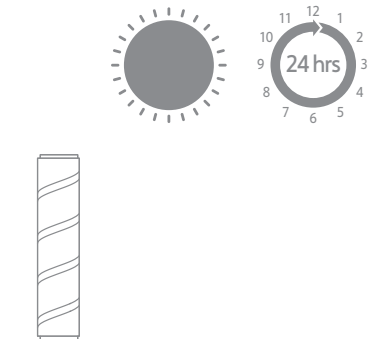
2. Gebruik een schaar om de haren en vezels af te knippen die aan de borstelrol vastzitten. Veeg het stof met een droge doek of keukenpapier uit de inkeping en de doorzichtige behuizing. Laat het vóór gebruik goed drogen.



3. Als het vuil is, spoel de borstelrollen met schoon water totdat deze schoon is.



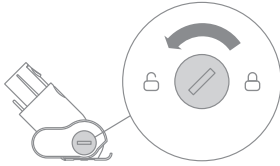
4. Zet de borstelrol 24 uur rechtop totdat deze volledig droog is.



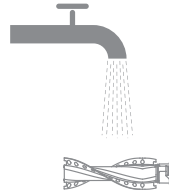
Zorg en onderhoud

De gemotoriseerde miniborstel reinigen

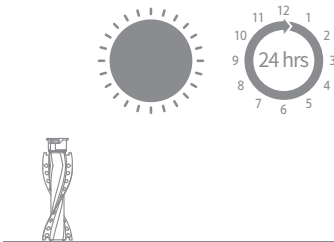
1. Gebruik, zoals afgebeeld, een munt om de vergrendeling linksom te draaien tot u een klik hoort.



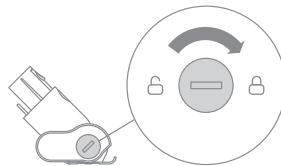
2. Verwijder de borstelrol na het ontgrendelen van de gemotoriseerde miniborstel en spoel en reinig deze.



3. Zet de borstelrol tenminste 24 uur rechtop in een goed geventileerde ruimte totdat deze volledig droog is.



4. Zodra de borstelrol droog is, plaats deze dan weer terug door de demontage-instructies in omgekeerde volgorde uit te voeren.

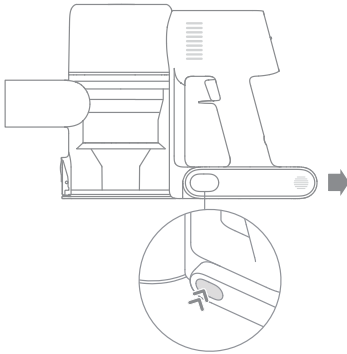


Zorg en onderhoud

Batterijpakket

De stofzuiger bevat een uitneembaar oplaadbaar lithium-ion batterijpakket die een beperkt aantal malen kan worden opgeladen. Na veelvuldig gebruik kan het zijn dat het batterijpakket geen lading meer vasthoudt. Als dit gebeurt heeft het batterijpakket het einde van zijn levensduur bereikt en dient het vervangen te worden.

1. Druk op de ontgrendelknop van het batterijpakket en schuif het batterijpakket naar rechts om het te verwijderen, zoals aangegeven.
2. Plaats het nieuwe batterijpakket.



Specificaties

Stofzuiger			
Model	VTV41B		
Laadspanning	30 V ---	Gemeten spanning	25,2 V ---
Gemeten vermogen	425 W	Oplaadtijd	Ong,4 uur
Gemotoriseerde miniborstel			
Model	VMM4		
Gemeten vermogen	20 W	Gemeten spanning	25,2 V ---
Borstel voor meerdere oppervlakken			
Model	VMB3		
Gemeten vermogen	40 W	Gemeten spanning	25,2 V ---
Zachte rolborstel			
Model	ASF4		
Gemeten vermogen	40 W	Gemeten spanning	25,2 V ---
Oplader			
Model	YLS0251B-E300080		
Ingang	100-240 V \sim 50/60 Hz 0,8 A max	Uitgang	30 V --- 0,8 A
Gemiddeld actief Efficiëntie	88,53%	Efficiëntie bij lage lading (10%)	78,66%
Onbelast vermogen Verbruik		0,09 W	
Oplaadbaar Lithium-ion batterijpakket			
Model	V2213-7S1P-BCA		
Nominale spanning	25,2 V ---	Nominale capaciteit	3000 mAh
Gemeten capaciteit	2800 mAh	Energie	70,56 Wh

Als de stofzuiger niet goed werkt, raadpleeg dan de tabel hieronder.

Fouten	Mogelijke oorzaken	Oplossingen
De stofzuiger werkt niet.	De batterij is leeg of bijna leeg.	Laad de stofzuiger volledig op, hervat vervolgens het gebruik.
	Oververhittingsbescherming ingeschakeld door een verstopping.	Reinig de zuigopeningen of de luchtinlaat. Wacht totdat de stofzuiger is afgekoeld, activeer het dan opnieuw.
	Zuigopening of luchtinlaat is verstopt.	Verwijder de verstopping uit de zuigopening of de luchtinlaat.
Zuigkracht is laag.	Stofreservoir is vol en/of filterbehuizing is verstopt.	Ledig het stofreservoir en reinig de filterbehuizing.
	Accessoire zit verstopt.	Verwijder verstoppingen uit het accessoire.
Motor maakt een raar geluid.	Hoofd-zuigopening of uitschuifbuis is verstopt.	Verwijder verstoppingen uit de hoofd-zuigopening of de uitschuifbuis.
Het eerste indicatielampje is rood na het aanzetten van de stofzuiger.	Batterijpakket is beschadigd.	Neem met de klantenservice contact op voor een onderhoudsafspraak.
Het eerste indicatielampje knippert rood als de stofzuiger wordt opgeladen.	De oplader is incompatibel.	Gebruik alleen de originele oplader om de stofzuiger op te laden.

Fouten	Mogelijke oorzaken	Oplösungen
Het batterij-indicatielampje licht niet op tijdens het opladen.	De oplader past niet goed in de stofzuiger.	Controleer op de oplader goed is aangesloten op de stofzuiger.
	De batterij is opgeladen en schakelt automatisch over in de slaapmodus.	De stofzuiger functioneert normaal.
	Als het probleem blijft terugkeren na het uitsluiten van de twee bovenstaande mogelijkheden.	Neem met de klantenservice contact op voor een onderhoudsafspraak.
Het opladen gaat te langzaam	Batterijtemperatuur is te laag of te hoog.	Wacht totdat de batterij is afgekoeld en probeer het opnieuw.
De LED-lampjes van de borstel voor meerdere oppervlakken werken niet.	LED-lampjes zijn beschadigd.	Neem contact op met de klantenservice voor onderhoud.

Het lithium-ion batterijpakket bevat materialen die schadelijk zijn voor het milieu. Voordat u de stofzuiger weggooit dient u eerst het batterijpakket te verwijderen en het vervolgens weg te gooien of te recyclen in overeenstemming met de plaatselijke wet- en regelgeving van het land of de regio waar het wordt gebruikt.

AEEA-informatie



Alle producten met dit symbool zijn afgedankte elektrische en elektronische apparatuur (AEEA zoals in Richtlijn 2012/19/EU) die niet samengevoegd mogen worden met ongesorteerd huishoudelijk afval. In plaats daarvan moet u de volksgezondheid en het milieu beschermen door uw afgedankte apparatuur in te leveren bij een door de overheid of de plaatselijke autoriteiten aangewezen inzamelpunt voor het recyclen van afgedankte elektrische en elektronische apparatuur. Een correcte verwijdering en recycling zal mogelijke negatieve gevolgen voor het milieu en de volksgezondheid helpen voorkomen. Neem contact op met de installateur of de plaatselijke autoriteiten voor meer informatie over de locatie en de voorwaarden van dergelijke inzamelpunten.

تعليمات السلامة

لتجنب الإصابات المختلفة مثل الصدمات الكهربائية والحرق الناجم عن الاستخدام غير السليم، يرجى قراءة دليل التعليمات بعناية قبل الاستخدام والاحتفاظ به بشكل صحيح.

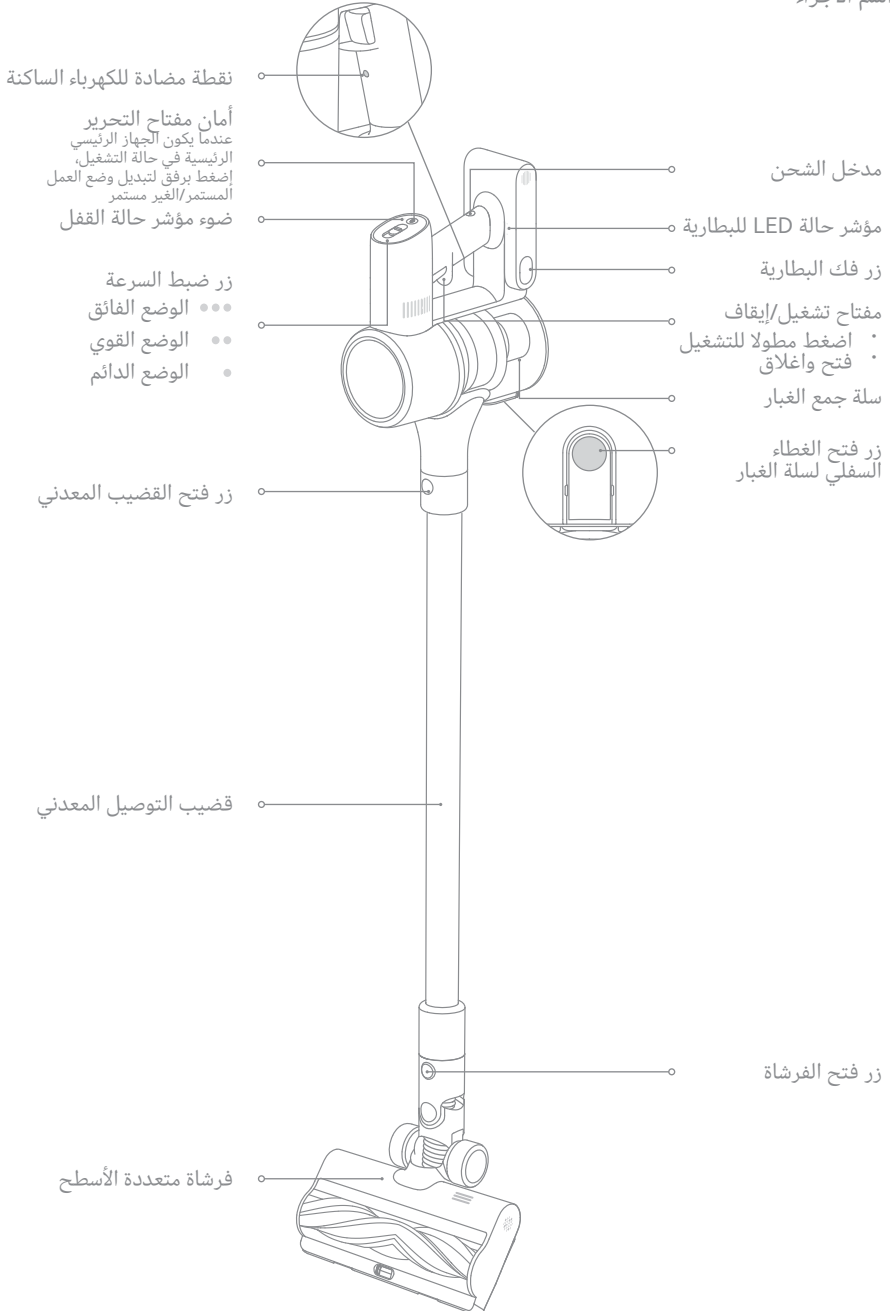
تحذير

- يمنع استخدام هذا المنتج من قبل الأشخاص ذوي الإعاقات الجسدية أو الحسية أو الذهنية، والأشخاص الذين ليس لديهم الخبرة والمعرفة الكافية (بما في ذلك الأطفال)، ما لم يكن هناك إشراف أو توجيه من شخص ذو كفاءة للتأكد من أنه يمكنهم استخدام هذا المنتج بآمان.
- يمنع الأطفال من استخدام المنتج أو تشغيله، وعند استخدام هذا المنتج بحيط الأطفال من الضروري الانتباه إليه والمراقبة عن كثب، ومنع الأطفال من تنظيف المنتج أو صيانتة.
- يحظر استخدام الجهاز في الهواء الطلق أو على الأسطح الرطبة بل ينصح بأستخدامه على الأسطح الجافة في الداخل، لا تلمس القابض أو أي جزء من الجهاز بيد مبللة.
- لمنع حدوث حريق أو انفجار أو إصابة، يرجى التحقق مما إذا كانت بطارية الليثيوم والشاحن تالفاً قبل الاستخدام، ويحظر استخدام المكنسة الكهربائية في حالة تلف بطارية الليثيوم أو الشاحن.
- تتميز الفرشاة متعددة الأسطح، والفرشاة الدوارة الناعمة، والفرشاة الصغيرة المزودة بمحركات، والبطارية، وقابض التوصيل المعدني، والمكنسة الكهربائية بأنهم جميعاً متصلين بالكهرباء ولا ينبغي غمرهم في الماء أو أي سائل آخر، لذلك يجب الحرص على تجفيف جميع الفلاتر بعد التنظيف.
- منع حدوث الإصابات التي تسببها الأجزاء المتحركة، حيث يتم إيقاف تشغيل المكنسة الكهربائية قبل تنظيف الفرشاة متعددة الأسطح وفرشاة الأسطوانة الناعمة. ويجب تركيب الفرشاة متعددة الأسطح وفرشاة الأسطوانة الناعمة وحجرة الغبار والفلتر بشكل صحيح قبل استخدام المكنسة الكهربائية.
- استخدم الشاحن الأصلي فقط، ولا تستخدم محولات غير رسمية، خلاف ذلك قد يؤدي الى اشتعال النيران في بطارية الليثيوم.
- لا تستخدم المنتج لامتناعي الماء والبنزين والسوائل الأخرى القابلة للاشتعال والانفجار، ولا تستنشق المحاليل السامة، مثل مبيض الكلور أو الأمونيا أو منظفات الصرف الصحي أو السوائل الأخرى.
- يحظر استخدام المكنسة الكهربائية لتنظيف الجير والاسمنت ومسحوق الجبس ورماد الموقد والرماد وكميات كبيرة من الطحين ومسحوق الكربون وما إلى ذلك، ويحظر استنشاق الدخان أو المواد المحترقة مثل الفحم أو أعقاب السجائر أو أعواد الثقاب.
- تتحقق من المنطقة المراد تنظيفها قبل الاستخدام ضروري جداً، لتجنب وجود قطعاً كبيرة من الورق أو كرات ورقية أو قطعة قماش بلاستيكية أو أشياء حادة (مثل الزجاج والمسامير والبراغي والعملات المعدنية، إلخ)، بالإضافة إلى الأشياء التي يزيد قطرها عن قطر القش، يرجى استبعادها مسبقاً لتجنب انسداد الفوهة والتأثير على الاستخدام العادي للمنتج.
- احتفظ بالشعر والملابس الفضفاضة والأصابع وأجزاء الجسم الأخرى في مئأى عن فتحات المكنسة الكهربائية والأجزاء المتحركة. لا توجه ذراع الإطالة أو العصا أو المعدادات إلى عينيك أو أذنيك أو تضعها في فمك.
- يمنع وضع أي مادة على الفوهة. يحظر استخدام المكنسة الكهربائية في حالة انسداد أي منفذ شفت، حيث قد يؤدي الغبار أو الصوف القطني أو الشعر أو أي عناصر أخرى إلى تقليل تدفق الهواء، يرجى تنظيفها في الوقت المناسب.
- تجنب وضع المكنسة الكهربائية على أسطح غير مستقرة مثل الكراسي وطاولات الطعام وما إلى ذلك، لمنع تلف المكنسة الكهربائية أو إصابة المستخدم عند السقوط. في حال سقوط المكنسة الكهربائية أو تلفها أو بها عيوب أخرى، يرجى الاتصال بجهة الإصلاح الرسمية المعتمدة. لا تقم بإصلاحها وتفكيكها بنفسك.
- يرجى شحن البطارية بدقة وفقاً للإرشادات الواردة في الدليل، فقد يؤدي الشحن غير الصحيح خارج نطاق درجة الحرارة المحدد إلى تلف البطارية.
- استخدم فقط الملحقات وقطع الغبار التي أوصت بها الشركة المصنعة.
- يرجى فصل الجهاز من مصدر الكهرباء عند عدم الاستخدام لفترة طويلة، وقبل الصيانة أو الإصلاح.
- يرجى التركيز والانتباه عند الاستخدام وتنظيف السلالم خاصة.
- يرجى عدم تركيب أو شحن أو استخدام هذا المنتج في الهواء الطلق، وفي الحمام أو حول حوض السباحة.
- تحذير من مخاطر الحريق: لا تضع أي منتجات عطرية على فلتر هذا المنتج، ومن المعروف أن المواد الكيميائية الموجودة في هذه المنتجات قابلة للاشتعال ويمكن أن تتسبب في اشتعال المنتج.
- استخدم محول الطاقة الأصلي طراز YLS0251B-E300080 فقط، استخدام محولات أخرى فقد يؤدي الى اشتعال بطارية الليثيوم.
- استخدم بطارية طراز V2213-7S1P-BCA فقط، استخدام بطاريات أخرى فقد يؤدي الى اشتعال بطارية الليثيوم.
- إذا تم تحرير مادة البطارية، فأخرج الأفراد من المنطقة حتى تبرد البطاريات وتتبدد الأدخنة.
- قم بتوفير أقصى تهوية للتخلص من الغازات الخطرة وتجنب استنشاق الأبخرة أو جعلها تلامس البشرة والعينين.
- أزل السائل المنسكب باستخدام وسيلة مجففة واحرق النفايات.
- يجب عدم الإستخدام والتخزين في بيئة شديدة الحرارة أو البرودة (أقل من 0 درجة / 32 درجة فهرنهايت أو أعلى من 40 درجة / 104 درجة فهرنهايت). عند الشحن استخدم محول الطاقة الأصلي والشحن عند درجة حرارة 0 إلى 40 درجة مئوية.
- هذا المنتج مصمم للاستخدام المنزلي فقط.

للحصول على دليل إلكتروني مفصل، يرجى الانتقال إلى

<https://global.dreametech.com/pages/user-manuals-and-faqs>

اسم الاجزاء

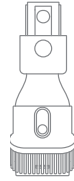


نظرة عامة حول المنتج

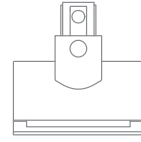
قائمة الملحقات



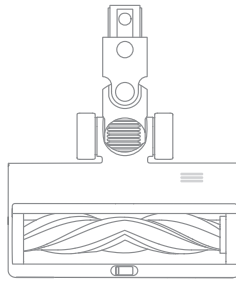
قضيب التوصيل المعدني



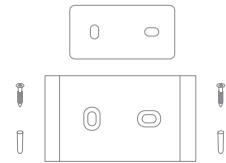
أداة تجميع واسعة



فرشاة كهربائية صغيرة



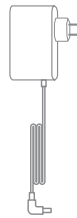
فرشاة متعددة الأسطح



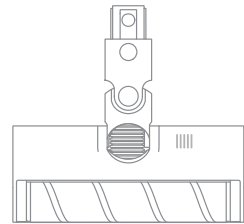
التثبيت على الحائط
(ويحتوي على البراغي 2،
مقابس الحائط 2، ملصقات
قالب التثبيت)



أداة تجميع مرنة

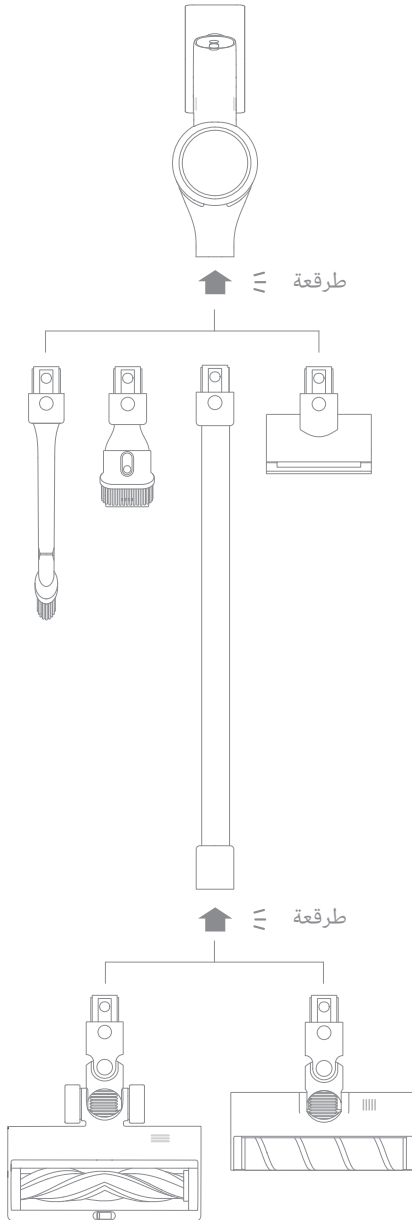


محول الطاقة



الفرشاة الدوارة الأسطوانية الناعمة

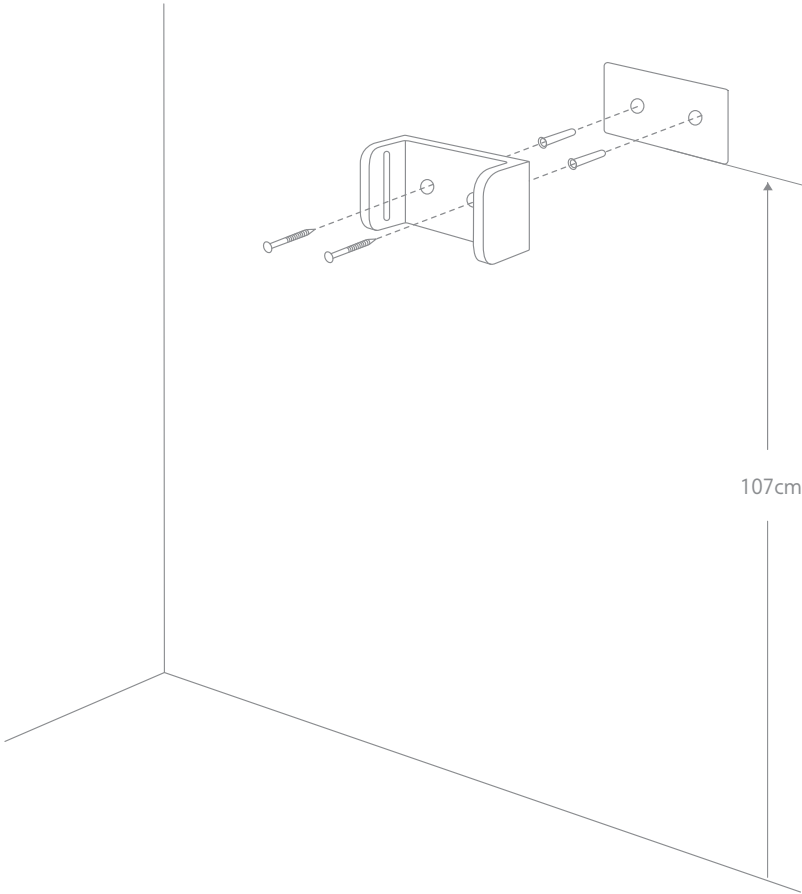
نصيحة: الرسوم التوضيحية في هذا الدليل هي للإشارة فقط، يرجى الرجوع للمظهر الفعلي.



بيكرتال

مخطط التثبيت على الحائط

1. قم بلصق ملصق قالب التركيب على الحائط. يجب أن تكون الحافة السفلية لملصق قالب التثبيت موازية للأرض، على ارتفاع حوالي 107 سم فوق سطح الأرض.
2. استخدم أداة كهربائية مع مثقاب 8 مم لحفر الثقوب وفقًا لثقوب لبتثبيت في ملصقات التثبيت، وضع أنبوب التوسعة في الفتحة المحفورة.
3. قم بمحاذاة الثقوب الموجودة على الحامل مع الثقوب الموجودة على الحائط. ثم قم بتثبيت باستخدام البراغي المرفقة.



ملاحظة:

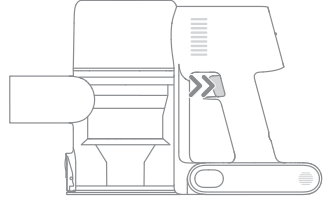
- حامل التثبيت على الحائط هو ملحق اختياري. يمكنك تثبيته حسب احتياجاتك.
- يجب تركيب الحامل بالحائط على سطح بارد وجاف مع وجود مأخذ كهربائي قريب. قبل التثبيت، تأكد من عدم وجود أسلاك أو أنابيب في المساحة الواقعة خلف موقع التثبيت مباشرة.

استخدام المنتج

وضع التنظيف

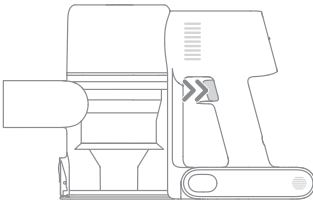
هناك وضعان لعمل مكنتسة التنظيف الكهربائية، والتي يمكن اختيارها وفقاً لاحتياجاتك الخاصة.

الطريقة الأولى: وضع العمل المتقطع
اضغط مطولاً على مفتاح الجهاز الرئيسي لبدء العمل، وعند الإيقاف أعد المفتاح لوضعه الطبيعي.



الطريقة الثانية: وضع العمل المستمر (أمان مفتاح التحرير)
عندما يكون الجهاز الرئيسي الرئيسية قيد التشغيل، اضغط لمرة واحدة ع للتبديل لوضع العمل المستمر، وفي نفس الوقت قم بفتح مفتاح الجهاز الرئيسي، وسوف تستمر الجهاز الرئيسي في العمل.

يمكن أن يؤدي استخدام وأمان مفتاح التحرير إلى تحرير أصابعك وتجنب إجهاد الإصبع الناجم عن الضغط باستمرار على المفتاح طوال الوقت.



ملاحظة:

- مؤشر حالة القفل يبقى مضيئاً عند تشغيل وضع العمل المستمر.
- إذا كنت بحاجة إلى الخروج من وضع العمل المستمر، فانقر فوق مفتاح  مرة أخرى.

مجال استخدام الملحقات

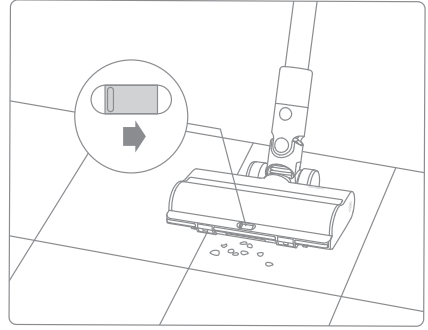
فرشاة متعددة الأسطح

فرشاة السجاد: مناسبة لتنظيف السجاد ذي الشعر المتوسط والقصير وأيضاً لتنظيف البلاط والألواح الأرضية.

للتنظيف الجزيئات الكبيرة بالمكنسة الكهربائية عن طريق تشغيل مفتاح الفرشاة، مثل حبوب القهوة ورقائق الذرة وما إلى ذلك.

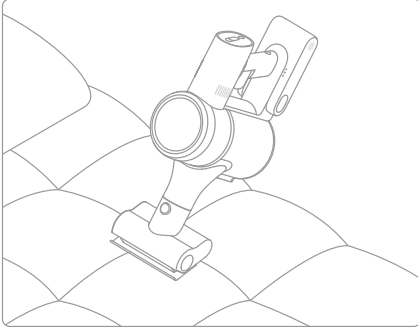
ملحوظة:

- الفرشاة متعددة الأسطح يمكن توصيلها مباشرة بالمكنسة الكهربائية.
- عند بدء تشغيل الجهاز، ستضيء المصابيح الموجودة أمام أسطوانة الفرشاة تلقائياً، والذي يعد مناسباً للاستعمال.



فرشاة كهربائية صغيرة

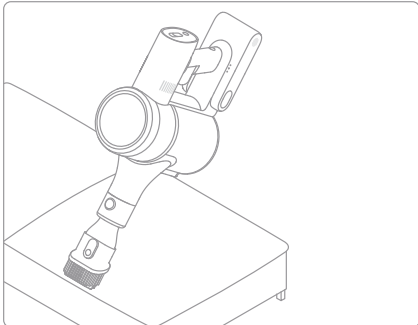
لتنظيف الأوساخ، وشعر الحيوانات الأليفة، وغيرها من الحطام الصعب من الأرائك، والفرش، والأسطح النسيجية الأخرى.



ملاحظة: لا يُنصح باستخدامها على سطح مواد سهلة التمزق وعرضة للخدش (مثل الحرير، إلخ).

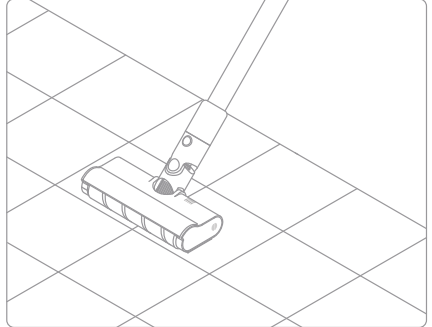
أداة تجميع واسعة

مناسبة لتنظيف غبار أسطح الستائر ولوحات المفاتيح والأسقف والسيارات وطاولات القهوة إلخ.



الفرشاة الدوارة الأسطوانية الناعمة

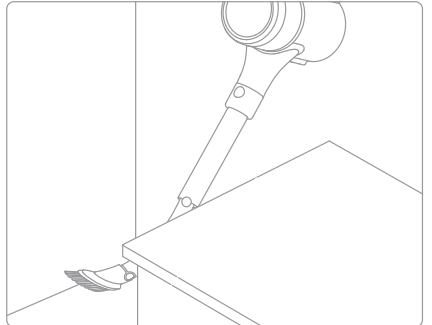
مناسبة لتنظيف الأرضيات الصلبة مثل الرخام والبلاط.



ملحوظة: يمكن توصيل الفرشاة الدوارة الأسطوانية الناعمة مباشرة بالمكنسة الكهربائية.

أداة تجميع مرنة

فوهة الفرشاة قابلة للانحناء وقابلة للطي، وأكثر مرونة في الشفط في داخل الفجوات الضيقة.



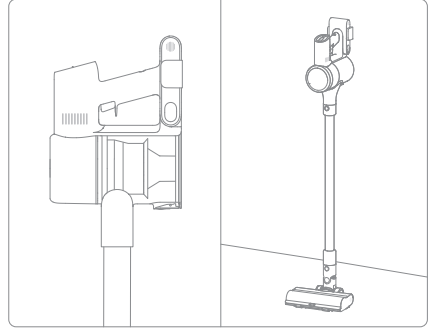
استخدام المنتج

التثبيت على الحائط

المكنسة الكهربائية يمكن وضعها على حامل الحائط عندما لا يكون قيد الاستخدام.

ملاحظة:

- لا تضع المكنسة الكهربائية وحدها على حامل الحائط.
- ضعها على حامل الحائط بعد توصيله بقضيب التمديد والفرشاة متعددة الأسطح.



ملاحظة:

- قد يتوقف المنتج تلقائياً عند توقف أي جزء دوار، بعد إزالة جميع الأجسام الغريبة العالقة، يمكنك الاستمرار في استخدامه.
- عند ارتفاع درجة حرارة المحرك، ستتوقف المكنسة الكهربائية تلقائياً. انتظر حتى تعود درجة حرارة البطارية إلى وضعها الطبيعي، ثم استأنف الاستخدام.

احتياطات الصيانة

- استخدم دائماً قطع الغيار الأصلية لإبقاء الضمان سارياً.
- في حالة انسداد الفلتر أو الفوهة، ستتوقف المكنسة عن العمل بعد فترة وجيزة من تشغيلها، ولاستعادة العمل، قم بتنظيف الفلتر أو الفوهة.
- إذا لن يتم استخدام المكنسة الكهربائية لفترة طويلة، قم بشحنها بالكامل وفصلها عن الطاقة ثم تخزينها في بيئة باردة منخفضة الرطوبة بعيداً عن أشعة الشمس المباشرة. لتجنب شحن البطارية المفرط، أعد شحن المكنسة الكهربائية مرة واحدة على الأقل كل ثلاثة أشهر.

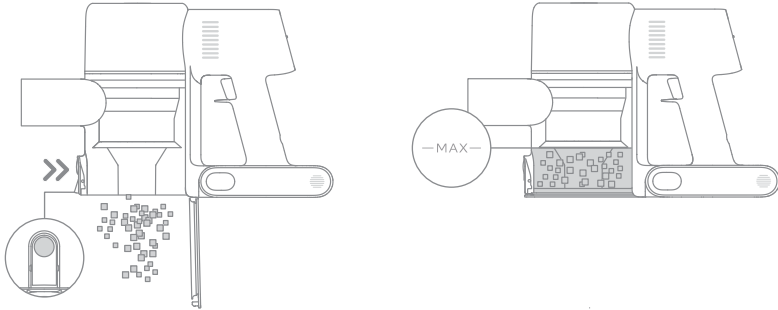
تنظيف الجهاز الرئيسي

امسح الجهاز الرئيسي باستخدام قطعة قماش جافة وناعمة.

نظف سلة جمع الغبار والفلتر ومكونات النظام المخروطي

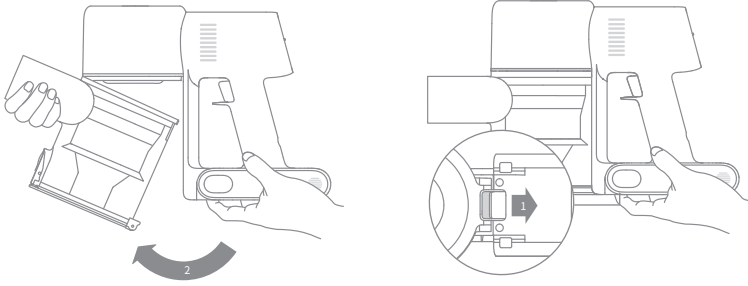
ستنخفض قدرة تنظيف المكنسة الكهربائية عند امتلاء سلة جمع الغبار إلى علامة الحد الأقصى "MAX". لاستعادة القدرة على الأداء، قم بتفريغ سلة الغبار في الوقت المناسب. قبل تفريغ السلة، تأكد من فصل المكنسة الكهربائية عن مصدر الطاقة ولا تضغط على زر الطاقة بها.

1. ضغط على زر فتح الغطاء السفلي لسلة الغبار في اتجاه السهم لفتح الغطاء السفلي لسلة الغبار وتفريغ الغبار من سلة الغبار.

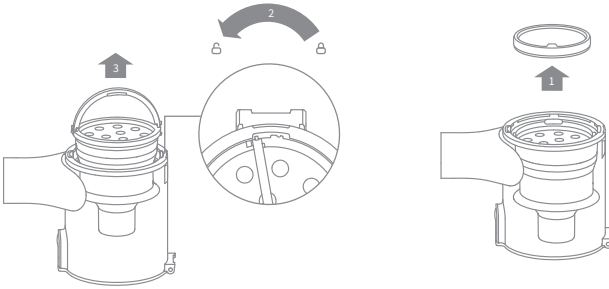


العناية والصيانة

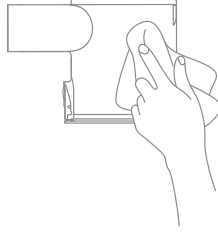
2. كما هو مبين في الشكل 1، اسحب مفتاح إزالة سلة الغبار أسفل حاوية الغبار في اتجاه السهم وقم بإزالة سلة الغبار في نفس الوقت، كما هو موضح في الشكل 2.



3. أخرج المرشح الأولي أولاً، ثم اسحب مقبض المكون لتدويره عكس اتجاه عقارب الساعة إلى موضع الإيقاف، وأخرج مكون النظام المخروطي للأعلى.



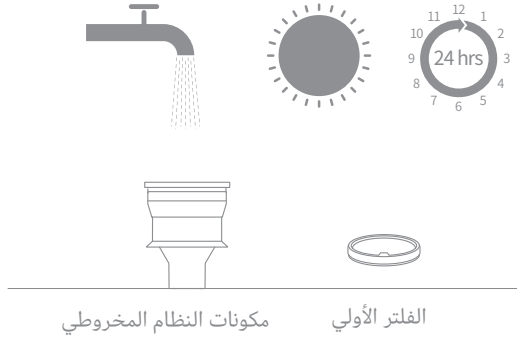
4. امسح الغبار من الكوب بقطعة قماش ناعمة مبللة. راعى عصر قطعة القماش قبل استخدامها.



يحتوي برميل الغبار على عناصر كهربائية يرجى عدم استخدام الماء اثناء التنظيف



5. اشطف مكونات الفلتر الأمامي ومجموعة نظام الدوران بالماء حتى تصبح نظيفة. بعد الانتهاء، اتركه يجف لمدة 24 ساعة على الأقل لضمان التجفيف الكامل.



مكونات النظام المخروطي

الفلتر الأولي

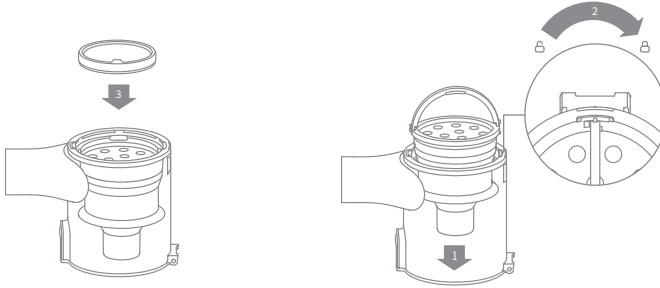
ملاحظة:

- ينصح بغسل سلة جمع الغبار مرة واحدة على الأقل في الشهر.
- يوصى بغسل الفلتر الأولي على الأقل مرة واحدة كل 3 أشهر ومكونات النظام المخروطي مرة واحدة على الأقل كل 6 أشهر.

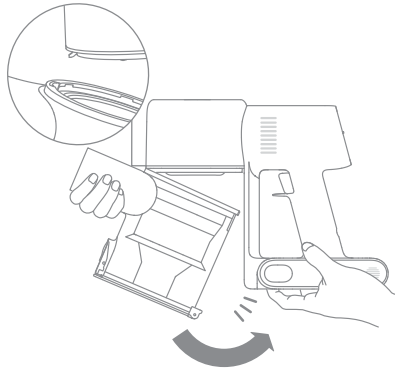
تركيب سلة جمع الغبار والفلتر الأولي ومكونات النظام المخروطي

1. قم بإدخال مكونات النظام المخروطي عمودياً في سلة جمع الغبار، وتأكد من أن مقبض مكونات النظام المخروطي يصطف مع الفتحة الموجودة على الجانب الأيسر من سلة جمع الغبار. لف المقبض في اتجاه عقارب الساعة حتى يُقفل، ثم ألقِ المقبض لأسفل.

2. ضع الفلتر الأولي بحيث يكون جانبه الأمامي مواجهًا لأعلى بمكونات النظام المخروطي.



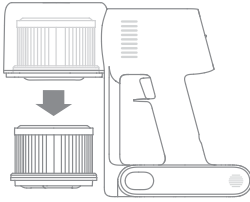
3. قم بإمالة سلة جمع الغبار قليلاً حتى تتوافق فتحتها مع المشبك الموجود على المكينة الكهربائية. ثم ادفع سلة جمع الغبار برفق حتى تثبت في مكانها.



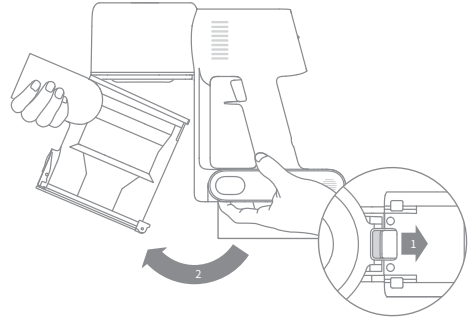
تنظيف مرشح الداخلي

ينصح بغسلة مرة كل 4-6 أشهر.

2. اسحب لأسفل في الاتجاه الموضح لإزالة مرشح الداخلي من الجهاز الرئيسي.

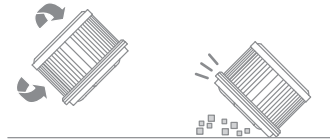
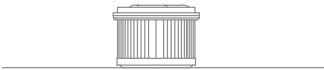
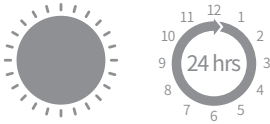


1. أزل سلة جمع الغبار كما هو مبين في الصورة.



4. قم بتعرض فلترالداخلي للهواء لمدة 24 ساعة على الأقل لضمان التجفيف الكامل.

3. قم بغسل فلتر بالماء النظيف، قم بتدوير مرشح بزواوية 360 درجة للتأكد من إزالة الغبار الموجود في فجوات الفلتر. أضغط على الفلتر برفق عدة مرات لإزالة كل الغبار.



ملاحظة:

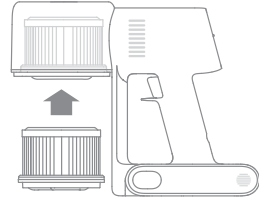
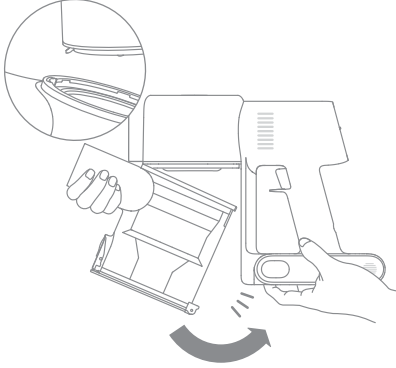
- يرجى الغسل بالماء النظيف، وعدم استخدام أي منظف.
- تجنب استخدام الفرشاة أو الأصابع لتنظيف فلتر.

العناية والصيانة

تركيب فلتر داخلي

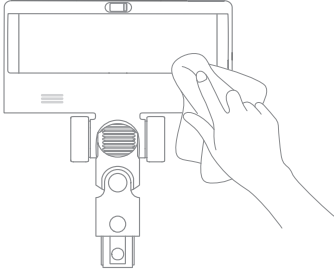
2. قم بإعادة تركيب سلة جمع الغبار.

1. قم بتركيب فلتر داخلي مرة أخرى في الجهاز الرئيسي كما هو موضح في الشكل واضغط عليه برفق.

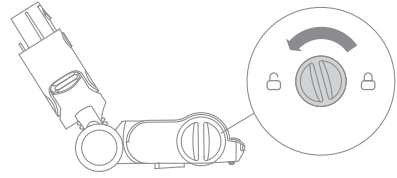


تنظيف فرشاة الأسطح المتعددة

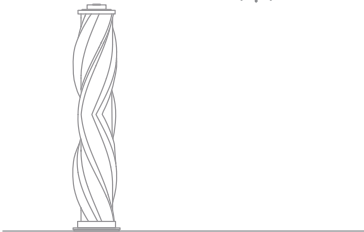
2. استخدم المقص لقص الشعر والألياف الملتصقة بكرة الفرشاة، امسح الأتربة من الشقوق والغطاء الشفاف بقطعة قماش جافة أو منشفة ورقية، ثم جففه جيدا قبل الاستخدام.



1. لف المزلاج عكس اتجاه عقارب الساعة حتى يتوقف، ثم قم بإزالة البكرة من الفرشاة الدوارة.



4. ضع بكرة الفرشاة في وضع مستقيم لمدة 24 ساعة على الأقل حتى تجف تماما.

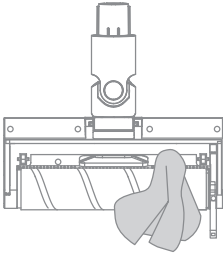


3. عندما تتسخ، اشطف بكرة الفرشاة بالماء النظيف حتى تصبح نظيفة.

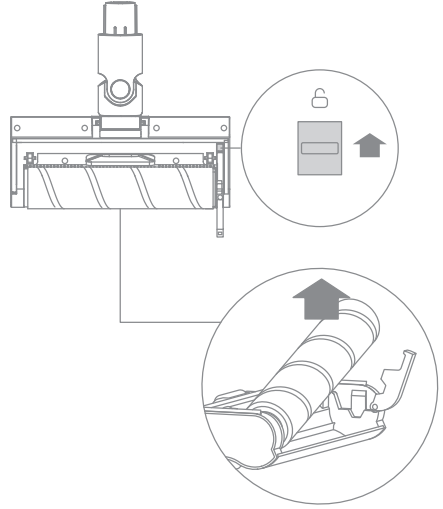


تنظيف الفرشاة الدوارة الأسطوانية الناعمة

2. استخدم المقص لقص الشعر والألياف المتصقة بكرة الفرشاة، امسح الأتربة من الشقوق والغطاء الشفاف بقطعة قماش جافة أو منشفة ورقية، ثم جففه جيدا قبل الاستخدام.

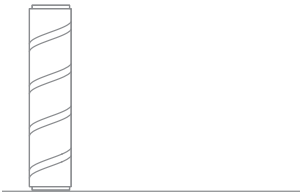
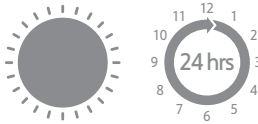


1. كما هو موضح في الصورة، اضغط على زر تحرير أسطوانة الفرشاة لفك الأسطوانة من الفتحة.



4. ضع بكرة الفرشاة في وضع مستقيم لمدة 24 ساعة على الأقل حتى تجف تماما.

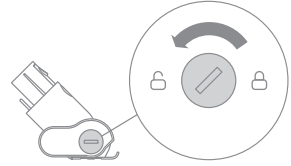
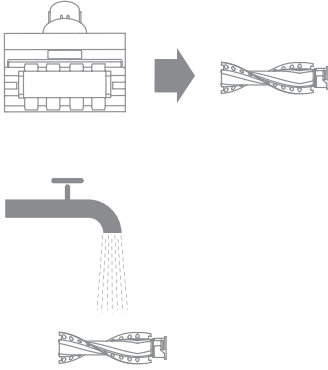
3. عندما تتسخ، اشطف بكرة الفرشاة بالماء النظيف حتى تصبح نظيفة.



تنظيف الفرشاة الكهربائية الصغيرة

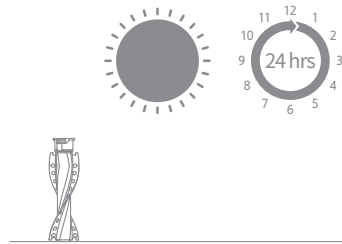
2. بعد فتح الفرشاة الصغيرة الآلية، وأخراج بكرة الفرشاة، ثم تنظيفها جيدا.

1. استخدم عملة معدنية لتدوير القفل عكس اتجاه عقارب الساعة حتى تسمع صوت نقرة.



4. بمجرد أن تجف بكرة الفرشاة، أعد تثبيتها باتباع خطوات التفكيك في الاتجاه المعاكس.

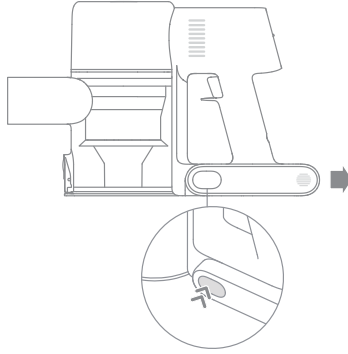
3. ضع بكرة الفرشاة في وضع مستقيم في منطقة جيدة التهوية لمدة 24 ساعة على الأقل حتى تجف تماما.



علبة البطارية

تحتوي المكنسة الكهربائية على علبة بطارية ليثيوم أيون القابلة للإزالة وإعادة الشحن والتي تحتوي على عدد محدود من دورات إعادة الشحن. بعد الاستخدام الممتد، قد لا تحتفظ علبة البطارية بشحنة واحدة. وفي حال حدوث هذا الأمر، تكون علبة البطارية قد وصلت إلى نهاية دورة عمرها التشغيلي وتحتاج إلى استبدالها.

1. اضغط لأسفل على زر تحرير علبة البطارية واسحب البطارية إلى اليمين، كما هو موضح، لإزالتها.
2. ثبت علبة البطارية الجديدة.



الجهاز الرئيسي			
VTV41B			رقم المنتج
25.2 V ===	الجهد المقدر	30 V ===	جهد الشحن
4 ساعات تقريباً	مدة الشحن	425 W	الطاقة المقدرة
فرشاة كهربائية صغيرة			
VMM4			الطراز
25.2 V ===	الجهد المقدر	20 W	الطاقة المقدرة
فرشاة متعددة الأسطح			
VMB3			الطراز
25.2 V ===	الجهد المقدر	40 W	الطاقة المقدرة
الفرشاة الدوارة الأسطوانية الناعمة			
ASF4			الطراز
25.2 V ===	الجهد المقدر	40 W	الطاقة المقدرة
المحول			
YLS0251B-E300080			الطراز
30 V === 0.8 A	الإخراج	100-240V ~ 50/60 Hz 0.8 A max	الإدخال
78.66%	كفاءة التحميل المنخفض (10%)	88.53%	متوسط الكفاءة النشطة
0.09 W	استهلاك الطاقة بدون حمل		
علبة بطارية ليثيوم أيون القابلة للشحن			
V2213-7S1P-BCA			الطراز
3000 mAh	السعة الاستيعابية الطبيعية	25.2 V ===	الجهد الاسمي
70.56 Wh	الطاقة	2800 mAh	السعة المقدرة

عندما لا تعمل المكنسة الكهربائية بشكل طبيعي، يرجى الرجوع إلى الجدول أدناه للتعامل مع المشكلة.

الحلول	السبب المحتمل	أعطال شائعة
يرجى شحن البطارية بالكامل قبل الاستخدام.	بطارية المكنسة فارغة أو منخفضة.	المكنسة الكهربائية لا تعمل.
تنظيف قناة أو مدخل شفط الغبار وإعادة التشغيل بعد التبريد.	حماية تلقائية ناتجة عن ارتفاع درجة الحرارة بسبب الانسداد.	
تنظيف قناة أو مدخل شفط الغبار.	انسداد قناة أو مدخل شفط الهواء.	
أفرغ السلة من الغبار ونظف الفلتر.	سلة الغبار ممتلئة، الفلتر مليء بالغبار ومسدود.	انخفضت قوة الشفط.
نظف انسداد الملحقات.	انسداد الملحقات.	
قم بتنظيف العوائق الموجودة في مدخل الشفط الرئيسي وقضيب التوصيل المعدني.	انسداد قضيب التوصيل المعدني أو مدخل الشفط الرئيسي.	وجود صوت غريب عند تشغيل المحرك.
يرجى الاتصال بخدمة ما بعد البيع للإصلاح.	البطارية تالفة.	بضيق المؤشر الأول باللون الأحمر عند التشغيل.
يرجى استخدام محول الطاقة الأصلي.	محول الطاقة لا يتطابق.	بومض المؤشر الأول باللون الأحمر عند شحن المكنسة الكهربائية.

الحلول	السبب المحتمل	أعطال شائعة
تأكد من محول الطاقة موصل بشكل صحيح.	الجهاز الرئيسي لا يتصل جيدا بمحول الطاقة.	لا يضيء مؤشر البطارية أثناء الشحن.
يمكن استخدام المكنسة الكهربائية في الوضع الطبيعي.	البطارية مشحونة بالكامل ودخلت في وضع السكون.	
يرجى الاتصال بخدمة ما بعد البيع للإصلاح.	إذا استمرت المشكلة بعد استبعاد الاحتمالين المذكورين أعلاه.	
يرجى الانتظار حتى تعود درجة حرارة البطارية إلى وضعها الطبيعي قبل الشحن.	درجة حرارة البطارية مرتفعة أو منخفضة للغاية.	البطارية تشحن ببطء.
يرجى الاتصال بخدمة ما بعد البيع للإصلاح.	مصابيح الإضاءة LED تالفة.	لا تعمل مصابيح الإضاءة LED الخاصة بالفرشاة متعددة الأسطح.

تحتوي علبة بطارية ليثيوم أيون على مواد خطيرة على البيئة. قبل التخلص من المكنسة الكهربائية، يرجى أولاً إزالة علبة البطارية، ثم التخلص منها أو إعادة تدويرها وفقاً للقوانين واللوائح المحلية للبلد أو المنطقة التي تستخدم فيها.

למניעת תאונות לרבות מכת חשמל או שריפה הנגרמות כתוצאה משימוש לא נכון, אנא קראו מדריך זה בקפידה טרם השימוש במוצר ושמרו אותו אצלכם לעיון בעתיד.

הוראות בטיחות

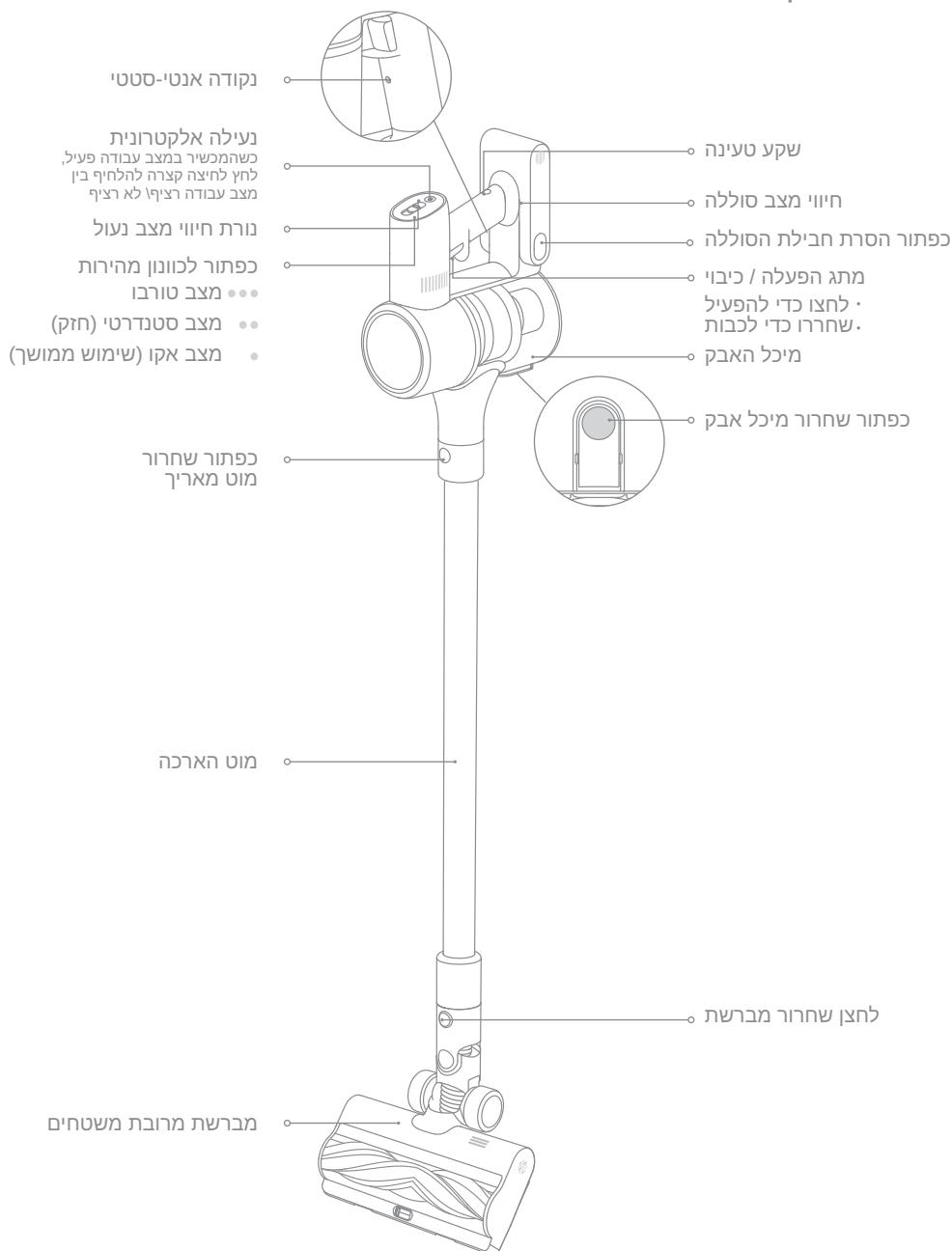
- מוצר זה מותר לשימוש על ידי ילדים בני 8 ומעלה ועל ידי אנשים הסובלים מקלות גופנית, תחושתית או שכלית, או בעלי ניסיון מוגבל או ידע מצומצם במידה והם נמצאים תחת השגחת הורה או מישור ששומר עליהם וזאת על מנת להבטיח הפעלה בטוחה ולמנוע סכנות מכל סוג שהוא. פעולות הניקיון והתחזוקה לא יבוצעו על ידי ילדים ללא השגחה.
- שואב האבק אינו צעצוע. חל איסור על ילדים לשחק עם המוצר או להפעילו. אנא נקטו זהירות בעת השימוש בשואב האבק בקרבת ילדים. אין לאפשר לילדים לנקות או לבצע פעולות תחזוקה של שואב האבק אלא אם כן יש עליהם השגחה מצד הורה או אדם ששומר עליהם.
- אין לעשות שימוש בשואב האבק שטח פתוח או על גבי משטחים רטובים. השתמשו בשואב האבק רק על גבי משטחים יבשים במקומות סגורים. אין לגעת בתקע החשמל או בכל חלק אחר של שואב האבק בידיים רטובות.
- על מנת למנוע סכנת ההתלקחות, הפיצוץ או הפגיעה, וודאו כי סוללת הליתיום ומתאם הטעינה אינם פגומים טרם השימוש. אין לעשות שימוש בשואב האבק במידה וסוללת הליתיום או המטען פגומים.
- המברשת הרב-משטחית, מברשת הגלגלת הרכה, המברשת מיני הממונעת, הפין המתכתי המתחבר, והשואב מוליכים חשמל ואין לטבול אותם במים או בנוזל אחר. הקפד לייבש את כל הפילטרים לאחר ניקוי.
- מנע פציעות הנגרמות מחלקים נעים. כבה את השואב לפני ניקוי המברשת הרב-משטחית ומברשת הגלגלת הרכה. יש להתקין כראוי את המברשת הרב-משטחית, מברשת הגלגלת הרכה, תא האבק והפילטר לפני שימוש בשואב.
- יש להתשמש ככל האפשר במטען המגיע עם המוצר. אין לעשות שימוש במתאם שאינו רשמי, כיוון שהדבר עשוי לגרום להתלקחות של סוללת הליתיום.
- אין לעשות שימוש בשואב האבק ל שאיבת נוזלים מתלקחים או דליקים, כגון בנזין או חומר מלבין, אמוניה, תכשירי ניקוי לניקוז תעלות או נוזלים אחרים.
- אין לעשות שימוש בשואב האבק לשאיבת חלקיקים של קיר גבס, אפר כגון אפר של קמין או חומרים המעלים עשן או בעזרים כגון פחם, בדלי סיגריות או גפרורים.
- יש לבצע סריקה של המשטח המיועד לשאיבה, ובמקרה שמוצאים חתיכות גדולות של נייר, פלסטיק או דברים חדים (כגון זכוכית, מסמרים, ברגים או מטבעות, אשר עשויים לגרום נזק למכונה). או כל דבר שגדול מפתח השאיבה, יש לפנותו לפני השאיבה על מנת למנוע חסימה של המכשיר.
- הרחק שיער, ביגוד רופף, אצבעות ואיברי גוף אחרים מפתחי השואב ומחלקיו הנעים. אין לכוון את מוט ההארכה, השרביט או כלי עבודה לעבר העיניים או האזניים או להכניסם לפה.
- אין להכניס שום חפץ לתוך פתחי שואב האבק. אין לעשות שימוש בשואב האבק עם פתחים חסומים. החזיקו אבק, מוך, שערות או פריטים אחריו שעשויים לצמצם את זרימת האוויר.
- השתמשו רק באבזרים ובחלקי חילוף המומלצים על ידי היצרן.
- אין להשעין את שואב האבק נגד כיסא, שולחן או משטח לא יציב אחר, כיוון שהדבר עשוי לגרום נזק למכונה או לפגיעה אישית. במידה ושואב האבק נזקק בעקבות הפלה שלו או שיש בו תקלה מכל סוג אחר, אנא צרו קשר עם מחלקת השירות המוסמכת שלנו. לעולם אין לנסות ולפרק את המכשיר בעצמכם.
- יש להקפיד לנהוג בהתאם לכל ההוראות המופיעות במדריך זה המתקשרות לטעינה חוזרת של הסוללה. כשל בטעינה נכונה של הסוללה בטווח הטמפרטורה המצוין עלול לגרום נזק לסוללה.
- השתמשו רק באבזרים ובחלקי חילוף המומלצים על ידי היצרן.
- וודאו כי שואב האבק מנותק ממקור החשמל כאשר אינו בשימוש למשך פרקי זמן ארוכים כמו גם טרם ביצוע פעולות תחזוקה או תיקון מכל סוג שהוא.
- אנא נקטו זהירות יתרה בעת השימוש בשואב האבק לניקוי מדרגות.
- אין להתקין, להטעין או לעשות שימוש במוצר זהבשטחים פתוחים, בחדרי אמבטיה או סביב בריכה.
- אזהרה מפני סכנת התלקחות: אין לשים כל סוג שהוא של חומר ריחני לתוך מסנן שואב האבק.

- מוצרים מהסוג הזה ידועים כמכילים חומרים כימיים מתלקחים שעשויים לגרום להתלקחות של שואב האבק.
- השתמש רק במטען המקורי (דגם, YLS0251B-E300080) כדי למנוע סכנת התלקחות של סוללת הליתיום-יון.
 - השתמש רק בסוללה המאושרת (דגם V2213-7S1P-BCA) כדי למנוע סכנת התלקחות של סוללת הליתיום-יון.
 - אם משתחרר חומר מהמצבר, הרחק את אנשי הצוות מהאזור עד שהמצברים יתקררו והאדים יתפזרו.
 - דאג לאוורור מרבי, כדי לפזר גזים מסוכנים ולמנוע שאיפה או מגע של האדים עם העור או העיניים.
 - נקה כל נוזל שנשפך באמצעות חומר סופג ושרוף את הפסולת.
 - אין להשתמש ולאחסן בסביבות חמות או קרות במיוחד (מתחת ל-0°C/32° ומעל 40°C/104° פרנהייט). בשימוש בסוללה המקורית יש להטעין בטמפרטורת טעינה של בין 0°C ל-40°C.
 - מוצר זה נועד לשימוש ביתי בלבד.

לעיון במדריך מקוון מפורט, בקר בכתובת
<https://global.dreametech.com/pages/user-manuals-and-faqs>

סקירת המוצר

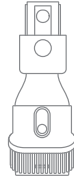
שמות החלקים



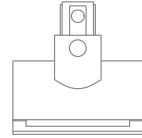
רשימת אביזרים



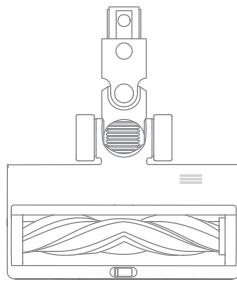
מוט הארכה



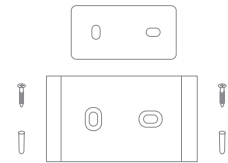
כלי שילוב רחב



מברשת מיני ממונעת



מברשת מרובת משטחים



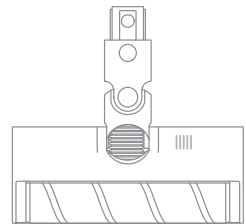
תושבת קיר
(כולל בורג 2x, תקע קיר 2x
ומדבקת תבנית הרכבה)



כלי שילוב גמיש

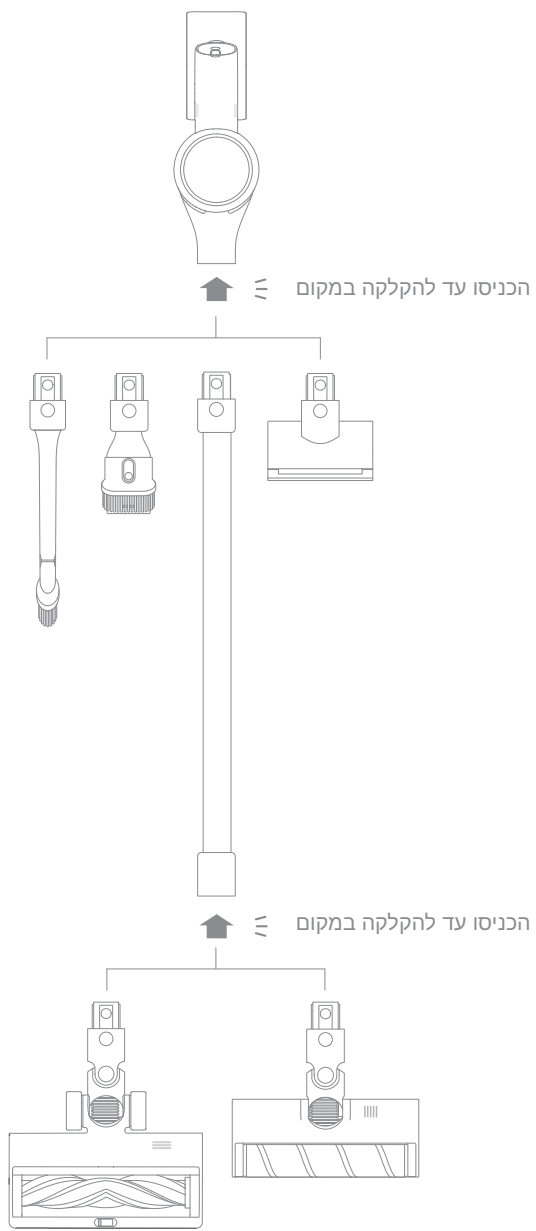


מתאם מתח



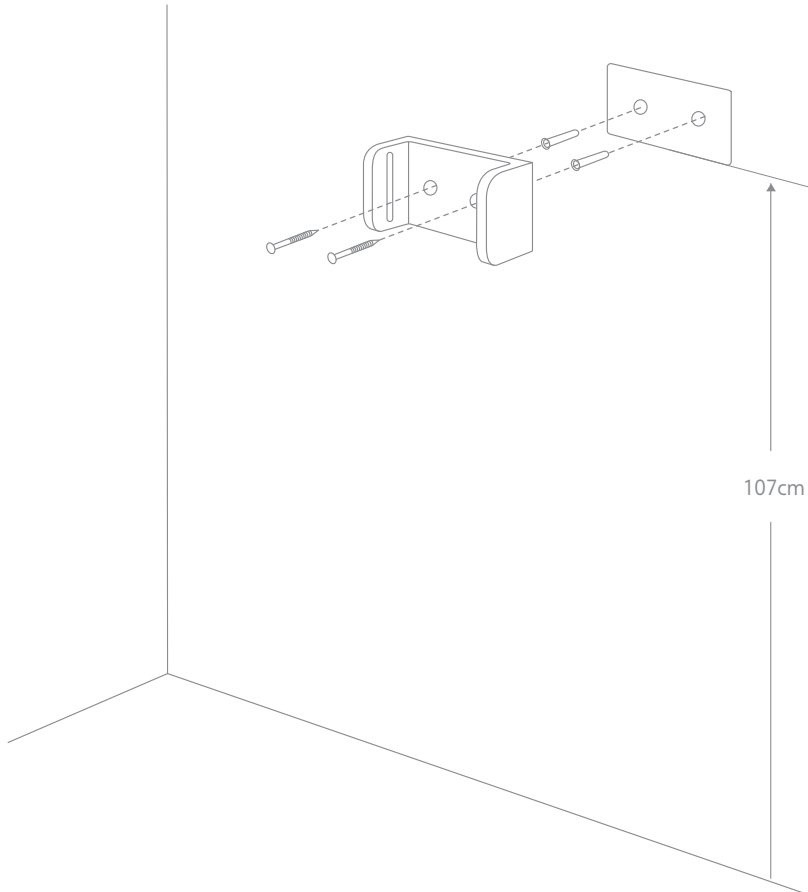
מברשת הגלגלת הרכה

תזכורת: תמונות המפרט מיועדות לעיון בלבד, על המראה בפועל מבוסס על המוצר עצמו.



דיאגרמת התקנת תושבת קיר

1. הדבקו את מדבקת תבנית ההרכבה על הקיר. הקצה התחתון של מדבקת תבנית ההרכבה צריך להיות מקביל וכ-107 ס"מ מהקרקע.
2. השתמשו בקדיחה עוצמתית עם מקדח 8 מילימטרים כדי לקדוח חור לכל חור מסומן על מדבקת תבנית המשענת, ואז הכניסו שקע לכל חור.
3. שרו את החורים על התושבת עם החורים בקיר. הדקו אותו לקיר עם הברגים הכלולים.



הערה:

- תושבת הקיר היא אביזר אופציונלי. תוכל להתקין אותו על סמך הצרכים שלך.
- תושבת הקיר צריכה להיות מותקנת על משטח קריר ויבש עם שקע חשמל בקרבת מקום. לפני ההתקנה, ודא כי אין חוטי חשמל או צינורות בחלל ישירות מאחורי מצב התשלום.

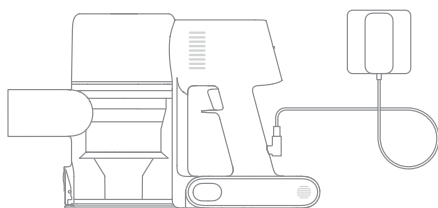
הטעינו את שואב האבק עד הסוף טרם השימוש בו בפעם הראשונה

הערה:

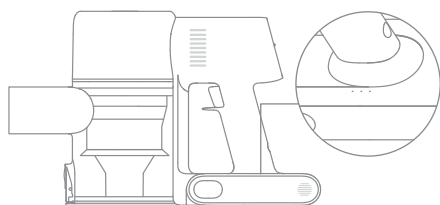
- זמן הטעינה הוא כ-4 שעות.
- שאיבת אבק במצב טורבו למשך פרק זמן ממושך יביא להתחממות של הסוללה, מה שיגדיל את זמן הטעינה. אפשרו לשואב להתקרר למשך 30 דקות לפני טעינתו.

צורות טעינה

טעינת שואב האבק עם המטען



נורת חיווי מצב הסוללה



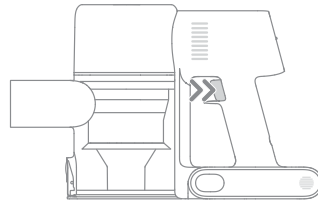
- ● ● סוללה חלשה ☀
- ● ● סוללה טעונה ב- ☀
- ● ● סוללה כמעט טעונה לחלוטין ☀
- ● ● סוללה טעונה במלואה ○ ○ ○
- כבוי ☀ מהבהב ○ דולק קבוע

ברגע ששואב האבק טעון במלואו, החיווי ייכבה לאחר 5 דקות, ושואב האבק ייכנס למצב של חיסכון בחשמל.

מצבי עבודה

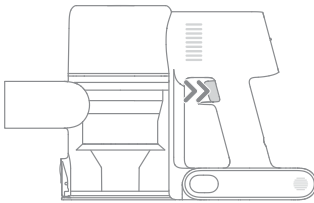
ישנם שני מצבי עבודה לשואב האבק, אותם ניתן לבחור בהתאם לצרכים שלכם.

מצב 1: מצב ניקוי לא רצוף
לחצו והחזיקו את מתג שואב האבק כדי להתחיל לעבוד, ושחררו אותו כדי להפסיק מיד.




מצב 2: מצב ניקוי רציף (נעילה אלקטרונית)
כשהמכשיר במצב עבודה פעיל, לחץ לחיצה בודדת על כפתורם לשנות למצב עבודה רציף, בזמן זה שחררו את המתג הפעלה, והמכשיר יפעל במצב רציף.

השתמשו במנוע האלקטרוני כדי לשחרר את האצבעות ולהימנע מעייפות האצבעות הנגרמת על ידי לחיצה על המתג.

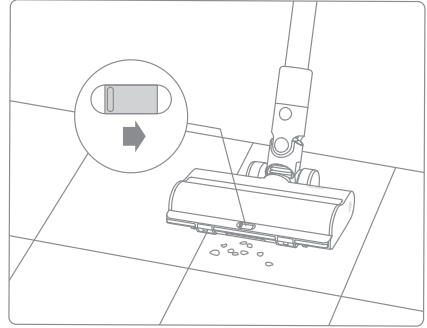


הערה:

- בזמן פעולה במצב עבודה רציף, נורת החיווי מצב נעול ידלוק באופן קבוע
- לחצו שוב על  כדי לצאת ממצב הניקוי הרציף.

כיצד להשתמש

שימוש באביזרים אחרים



מברשת מרובת משטחים

מתאים לנקיון של שטחים על סיבים בינוניים וקצרים, וכן ניתן להשתמש בו לניקוי בלטות ופרקט. לשאיבת חלקיקים גדולים על ידי הפעלת המתג על המברשת, כגון פולי קפה, פתיתי תירס וכו'.

הערה:

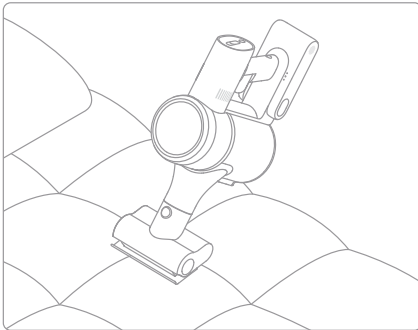
- ניתן לחבר את המברשת מרובת המשטחים ישירות לשואב.
- כאשר המכשיר מופעל, האורות שלפני המברשת הגלגלית יידלקו באופן אוטומטי, וזה נוח לשימוש.

מברשת הגלגלת הרכה

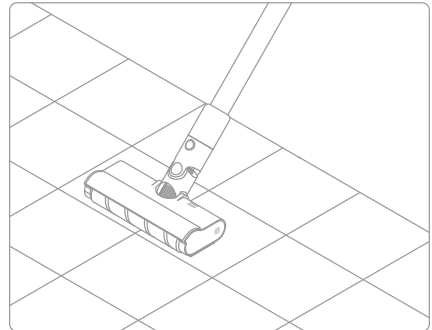
מותאם לניקוי רצפות קשות, כגון שיש ואריחים.

מברשת מיני ממונעת

מתאים לשימוש לניקוי של אבק ושערות בעלי חיים על ספות, אריגים וכו'.



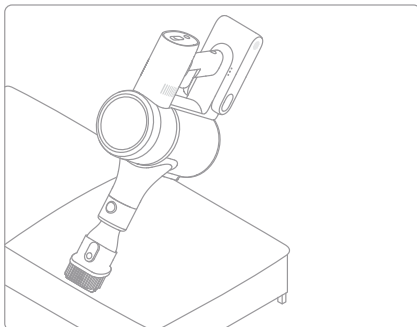
הערה: לא מומלץ לשימוש על משתחים שנפגעים בקלות (כגון משי וכו').



הערה: ניתן לחבר את מברשת הגלגלת הרכה ישירות לשואב.

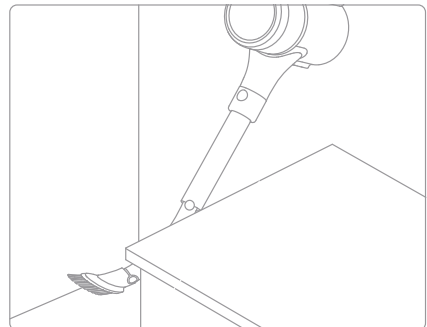
כלי שילוב רחב

מתאים לניקוי אבק מוילונות, מקלדות, תקרות ופנים הרכב.



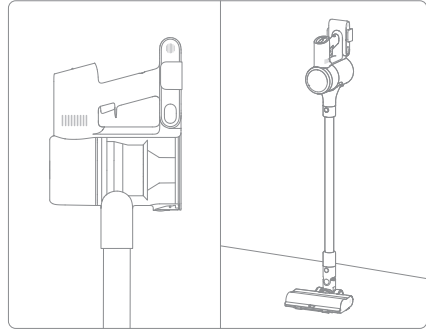
כלי שילוב גמיש

פיית מברשת ניתנת לכיפוף ונשלפת, גמישה יותר לשאיבת אבק במרווחים צרים.



תושבת קיר

- ניתן למקם את שואב האבק על תושבת הקיר כאשר הוא אינו בשימוש.
- הערה: אין לשים את שואב האבק לבדו על תושבת הקיר. הניחו אותו על תושבת הקיר לאחר חיבורו עם מוט ההרחבה והמברשת מרובת המשטחים.



הערה:

- אם חלק מסתובב נתקע, הוואקום עלול להיכבות אוטומטית. הסירו את כל החפצים הזרים שנלכדו, ואז המשיכו להשתמש.
- השואב ייכבה אוטומטית אם המנוע שלו יעבור למצב הגנה מפני התחממות יתר. המתינו עד שטמפרטורת המנוע תחזור לקדמותה לפני שתמשיכו להשתמש.

טיפים:

1. השתמשו תמיד בחלקים מקוריים על מנת למנוע ביטול של האחריות שלכם על המוצר.
2. במידה והמסנן או פי צינור נחסמים, שואב האבק יפסיק לפעול פרק זמן קצר לאחר שמכבים אותו. להחזרת תפקוד שואב האבק לקדמותו, נקו את המסנן או את פי הצינור ורק לאחר מכן המשיכו בשימוש.
3. במידה ולא מתוכנן לעשות שימוש בשואב האבק למשך פרק זמן ארוך, הטעינו אותו עד הסוף, נתקו את המתאם שלו ואחסנו אותו בסביבה קרירה עם רמת לחות נמוכה הרחק מאור שמש ישיר. למניעת פריקת יתר של הסוללה, הטעינו מחדש את שואב האבק לכל הפחות פעם ב- 3 חודשים.

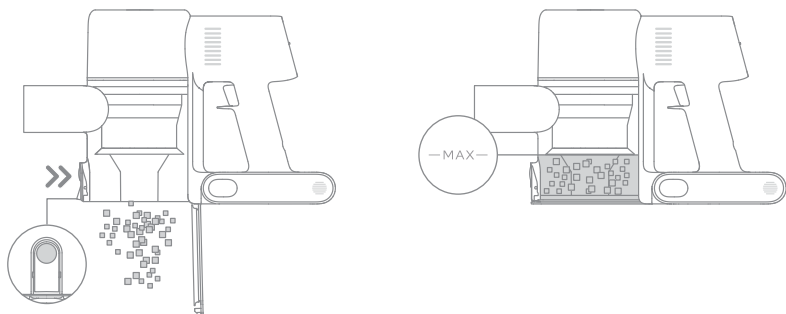
ניקיון שואב האבק

נגבו את שואב האבק בעזרת מטלית יבשה ורכה.

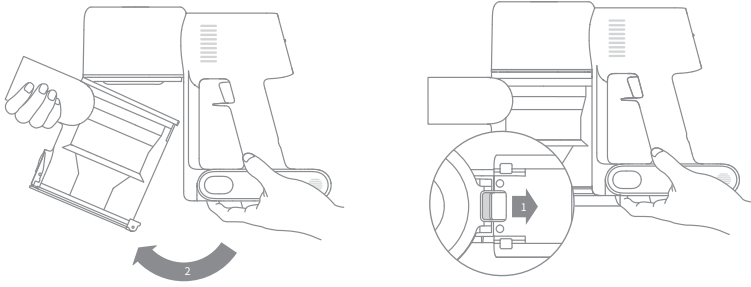
נקיון תא האבק, המסנן ומערכת הציקלון

יכולת הניקיון של שואב האבק תופחת אם תא האבק יהיה מלא עד לסימן המקסימום. כדי לטייב תוצאות, רוקנו את תא האבק אחת לכמה זמן. לפני ריקון התא, ודאו ששואב האבק מנותק מהחשמל, ואל תלחצו על הכפתור ההדלקה.

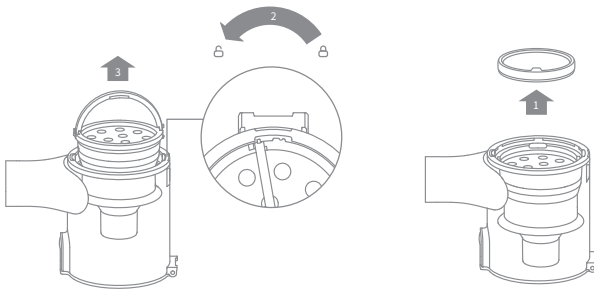
1. לחצו על הכפתור שבתחתית מכסה תא האבק בכיוון החץ, ואז רוקנו את תוכנו.



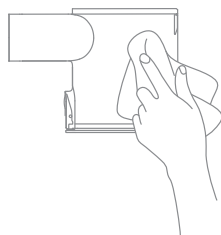
2. דחפו את מתג שחרור תא האבק בכיוון שהחץ מורה, ואז הסירו בעדינות את תא האבק משואב האבק.



3. הסירו קודם את המסנן, ואז הרימו את הידית של מערכת הציקלון ותעבירו נגד כיוון השעון עד שזה עוצר, אז משכו כדי להרים את מערכת הציקלון.



4. נגבו את האבק במטלית רכה ורטובה. שימו לב לסחיטת הברד לפני השימוש.



מיכל האבק מכיל מרכיבים חשמליים, נא לא לשטוף אותו ישירות במים!



5. אנא השתמשו במים צחים לנקות בשטיפה את המסנן הקדמי ואת המערכת הציקלונית עד שהם נקיים. לאחר השטיפה יבשו את החלקים לכל הפחות 24 שעות על מנת לוודא שיתייבשו לחלוטין.



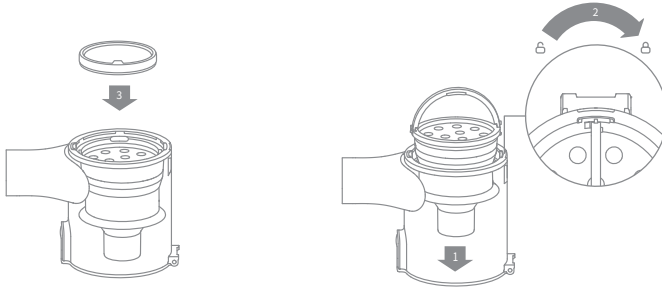
הערה:

- מומלץ לנקות את תא האבק פעם בחודש.
- מומלץ לנקות את המסנן הראשי לפחות פעם אחת בכל 3 חודשים. ואת מנגנון הציקלון לפחות פעם ב-6 חודשים.

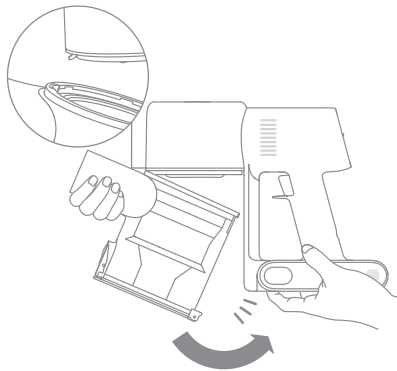
התקנת תא האבק, הסנן ומערכת הציקלון

1. הכנס את מערכת הציקלון באופן אנכי לתא האבק, וודאו שהידית של אוסף הציקלון נכנסת במקום בצד השמאלי של תא האבק. הפנה את הידית לכיוון השעון עד שהיא ננעלת, ואז הפכו את הידית למטה.

2. מקמו את המסנן על הצד הקדמי עם הפנים למעלה לתוך מערכת הציקלון.



3. הטו בעדינות את תא האבק למקומו בצורה ישירה עם האטם של שואב האבק. לחצו בעדינות על תא האבק בכיוון החץ עד שהוא נכנס למקומו (בהגעתו תישמע "קליק").



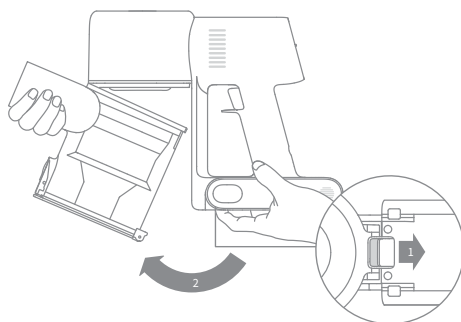
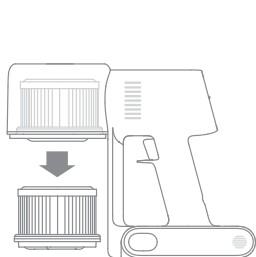
טיפול ותחזוקה

נקיון מסנן ה

מומלץ לנקות את מסנן ה- לפחות פעם בארבעה עד שישה חודשים.

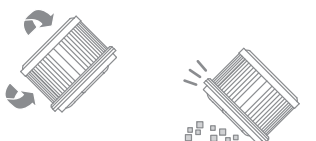
2. הסירו את סנן ה משואב האבק על ידי משיכתו מטה בכיוון שנראה בציור.

1. הסירו את תא האבק כפי שנראה בציור.



4. תנו לסנן ה להתייבש באוויר 24 שעות.

3. נקו את סנן ה עם מים נקיים. ודאו שאתם מסובבים את סנן ה 360° והסירו את כל האבק שנותר בסנן. טפחו על הסנן בעדינות מספר פעמים כדי להסיר את כל הלכלוך שנותר.

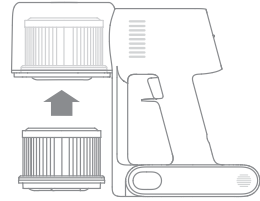


הערה:

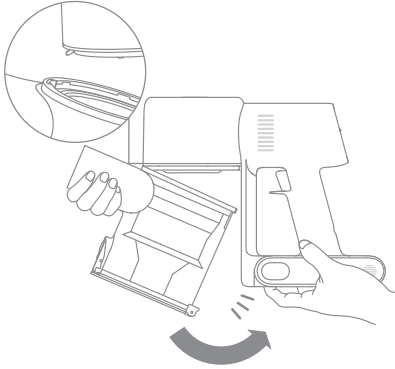
- השתמשו רק במים נקיים כדי לשטוף את המסנן. אל תשתמשו בחומרי ניקוי.
- אל תנסו לנקות את ה- עם מברשת או עם אצבע

התקנת סנן ה-

1. הכניסו את סנן ה לתוך שואב האבק ודחפו אותו למטה בעדינות, לפי הדוגמה.



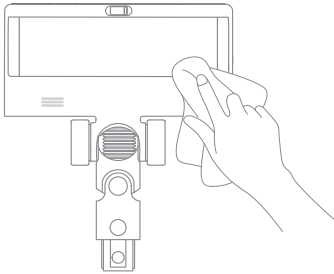
2. התקינו מחדש את תא האבק.



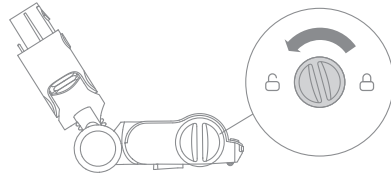
טיפול ותחזוקה

ניקוי המברשת מרובת המשטחים

2. השתמשו במספריים כדי לגזור את השערות והסיבים שנתקעים על גלגלת המברשת. נגבו את האבק מהחריץ והכיסוי השקוף במטלית יבשה או במגבת נייר. יש לייבש ביסודיות לפני השימוש.

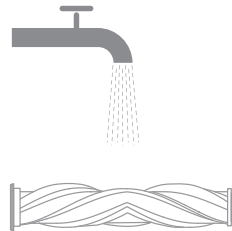
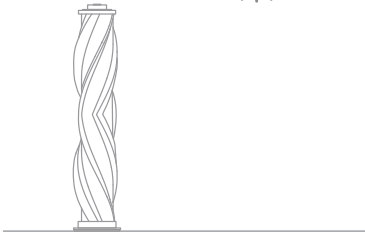


1. סובבו את המנועול נגד כיוון השעון עד שהוא נעצר, ואז הסירו את הגלגלת מהמברשת הגלגלית.



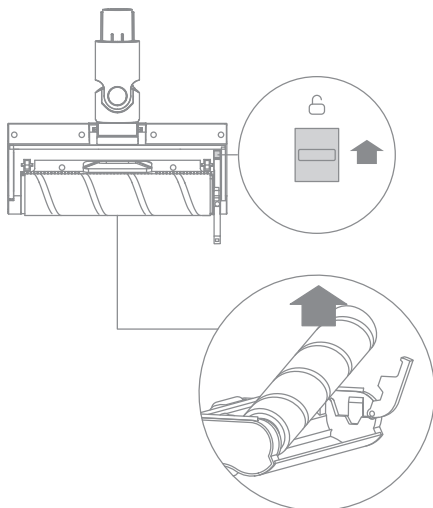
4. יש להחזיק את גלגלת המברשת זקופה למשך 24 שעות לפחות עד שהיא מתייבשת לחלוטין.

3. כאשר הוא מלוכלך, לשטוף את גלגלת המברשת עם מים נקיים עד שהוא נקי.

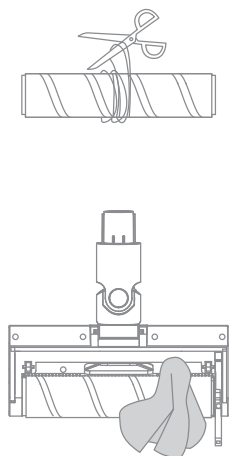


ניקוי מברשת הגלגלת הרכה

1. כפי שמוצג בתמונה, לחץ על לחצן שחרור גלגלת המברשת להסרת הגלגלת מהחריץ.

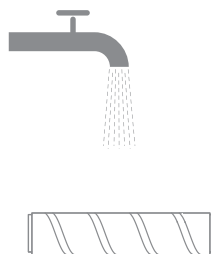
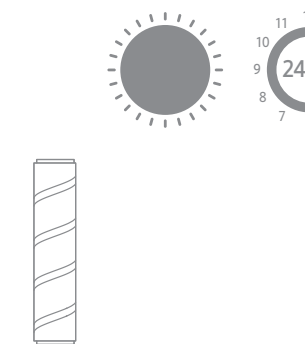


2. השתמשו במספריים כדי לגזור את השערות והסיבים שנתקעים על גלגלת המברשת. נגבו את האבק מהחריץ והכיסוי השקוף במטלית יבשה או במגבת נייר. יש לייבש ביסודיות לפני השימוש.



3. כאשר הוא מלוכלך, לשטוף את גלגלת המברשת עם מים נקיים עד שהוא נקי.

4. יש להחזיק את גלגלת המברשת זקופה למשך 24 שעות לפחות עד שהיא מתייבשת לחלוטין.

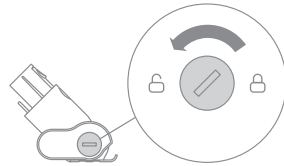
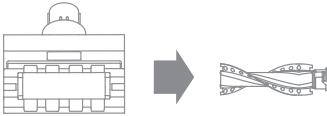


טיפול ותחזוקה

ניקוי מברשת המיני-הממונעת

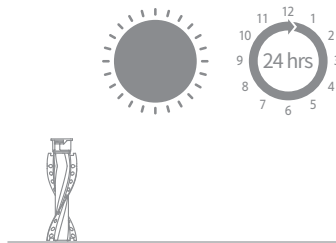
1. השתמשו במטבע בהתאם לאיור לסיבוב הנעילה כנגד כיוון השעון עד שתשמעו צליל הקלקה.

2. לאחר ביטול הנעילה של המיני-מברשת הממונעת, הסר את גלגלת המברשת, ולאחר מכן שטפו ונקו אותה.



3. החזיקו את גלגלת המברשת זקופה באזור מאוורר היטב למשך 24 שעות לפחות עד שהיא מתייבשת לחלוטין.

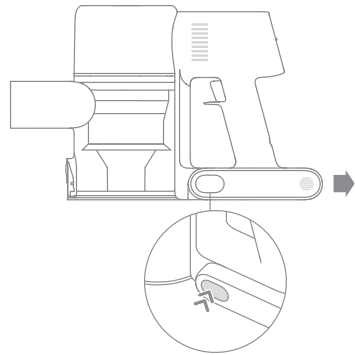
4. לאחר ייבוש המברשת הגלגלית, התקינו אותה מחדש על ידי ביצוע שלבי הפירוק לאחור.



חבילת הסוללה

יון, שניתנת להסרה, בעל מספר מוגבל של מחזורי טעינה. לאחר שימוש ממושך, ייתכן שמארז הסוללות כבר לא יחזיק בטעינה. אם זה קורה, המשמעות היא שחבילת הסוללה הגיעה לסוף מחזור החיים שלה ויש להחליפה.

1. לחץ כלפי מטה על לחצן השחרור של חבילת הסוללות והחלק אותה, כפי שמתואר בתרשים, להסרתה.
2. התקן את הסוללה החדש.



שואב אבק			
VTV41B			דגם המוצר
25.2 V ===	מתח מדורג	30 V ===	מתח טעינה
כ-4 שעות	זמן טעינה	425 W	כוח חשמל מדורג
מברשת מיני ממונעת			
VMM4			דגם
25.2 V ===	מתח מדורג	20 W	כוח חשמל מדורג
מברשת מרובת משטחים			
VMB3			דגם
25.2 V ===	מתח מדורג	40 W	כוח חשמל מדורג
מברשת הגלגלת הרכה			
ASF4			דגם
25.2 V ===	מתח מדורג	40 W	כוח חשמל מדורג
מתאם מתח			
YLS0251B-E300080			דגם
30 V === 0.8 A	סיווג יציאת מתח	100-240 V ~ 50/60 Hz 0.8 A max	סיווג כניסת מתח
78.66%	יעילות בעומס נמוך (10%)	88.53%	יעילות פעילה ממוצעת
0.09 וואט		צריכת חשמל ללא עומס	
חבילת סוללת ליטיום הניתנת לטעינה			
V2213-7S1P-BCA			דגם
3000 mAh	קיבולת נומינלית	25.2 V ===	מתח נומינלי
70.56 Wh	אנרגיה	2800 mAh	סוללה קיבולת

שאלות שנשאלות לעיתים תכופות

במידה ושואב האבק אינו פועל בצורה תקינה, אנא עיינו בטבלת איתור התקלות ופתרון הבעיות שלהלן.

שגיאות תכופות	סיבות אפשריות	פתרונות
שואב האבק לא עובד.	שואב האבק הינו ללא סוללה או מתח עבודה נמוך.	טענו את שואב האבק לחלוטין, ואז המשיך להשתמש בו.
	מצב הגנת חימום יתר מופעל על ידי חסימה.	המתינו עד שהשואב יתקרר ואז הפעילו אותו מחדש.
	פתיחת יניקה או מעבר דרכי מעבר האוויר חסומות.	נקו חסימות מפתחי יניקה או דרכי מעבר האוויר.
כוח יניקה חלש.	תא האבק מלא ו/או מכלול מסנני סתום.	רוקנו את תא האבק ונקו את מכלול מסנן.
	האביזר סתום.	נקו חסימות באביזר.
המנוע משמיע רעש מוזר.	כניסת היניקה הראשית או מוט ההארכה חסומים.	נקו את כל החסימות בפתח היניקה הראשי או במוט הארכה.
הנורת חיווי הראשונה לאחר הפעלת השואב.	הסוללה פגומה.	אנא צור קשר עם מוקד שירות הלקוחות לצורך תחזוקה.
נורת החיווי הראשונה מהבהבת באדום בזמן טעינה.	מתאם החשמל אינו תואם.	השתמשו רק במתאם הכוח המקורי כדי לטעון את שואב האבק.

שאלות שנשאלות לעיתים תכופות

פתרונות	סיבות אפשריות	שגיאות תכופות
ודאו שמתאם החשמל מחובר כראוי.	המתאם אינו מחובר לשואב האבק.	חיווי הסוללה לא נדלק בזמן טעינה.
ניתן להשתמש באופן רגיל.	הסוללה טעונה במלואה ועברה למצב שינה.	
אנא צרו קשר עם מוקד שירות הלקוחות לצורך תחזוקה.	אם הבעיה נמשכת לאחר שלילת שתי האפשרויות לעיל.	
המתינו עד שהטמפרטורה של הסוללה תחזור למצב רגיל, אז המשיכו להשתמש.	טמפרטורת הסוללה נמוכה מדי או גבוהה מדי.	נטען לאט.
אנא צרו קשר עם מוקד שירות הלקוחות לצורך תחזוקה.	נורות LED פגומות.	נורות LED של המברשת מרובת המשטחים אינן פועלות.

מארו סוללת ליתיום-יון מכיל חומרים מסוכנים לסביבה. לפני שתיפטרו משואב האבק, ראשית הסירו את מארו הסוללה, ומחזרו אותו בהתאם לחוקים ולתקנות המקומיות של המדינה או האזור שבו הוא משמש.